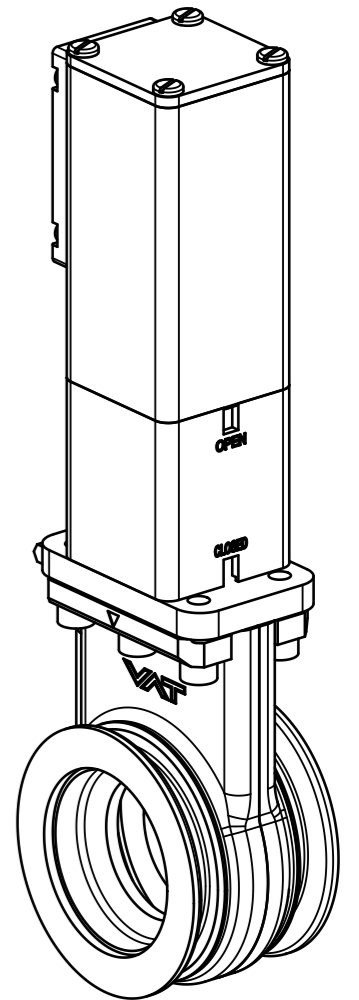
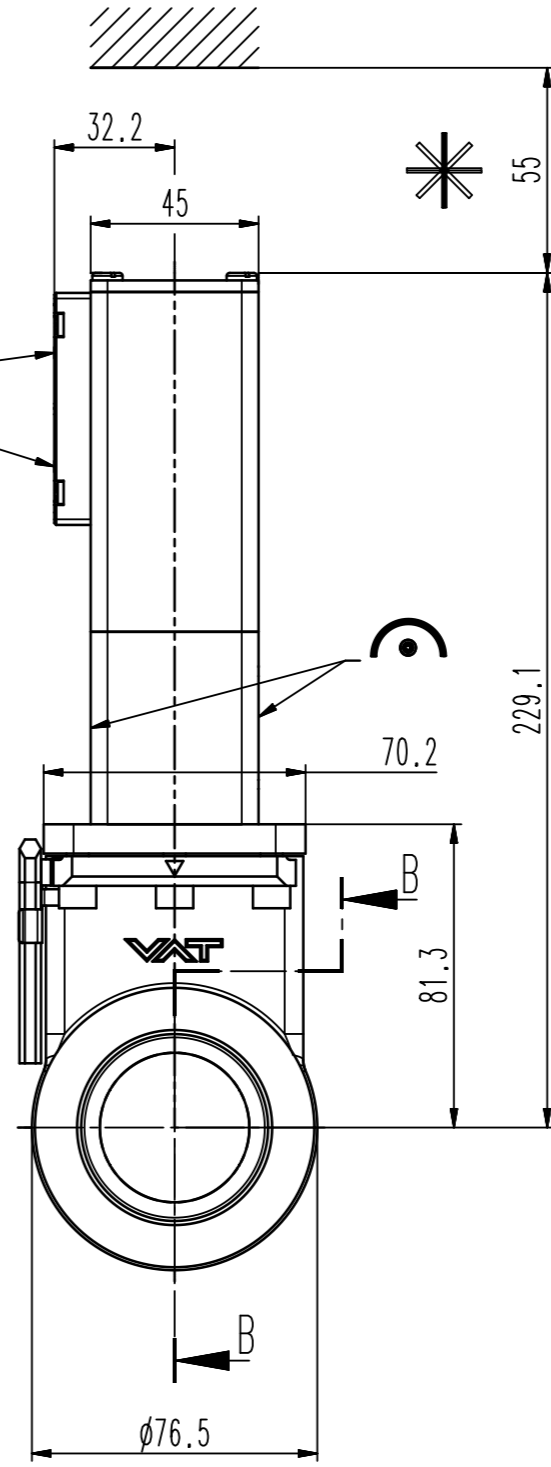


1/8"  
ISO/NPT  
5-7 bar



- ▼ Seat side
- ⊙ Comp. air connection
- ⊙ Electrical connection
- ⊙ Leak detection port
- ⊙ Mech. pos. indication
- ⊙ Position indicator
- ⊙ Required for dismantling
- ⊙ Emergency actuation
- ⊙ For attachment
- ⊙ Bake-out area
- ⊙ Differential pumping port

### Mini UHV gate valve



VAT Vakuumentile AG  
CH-9469 Haag, Switzerland  
Tel ++41 81 7716161 Fax ++41 81 7714830

Rev.-Date: 31.03.15  
Visa: KON

Series	010	Ordering No.	01034-KE14-0005
Projection E	DN	Flange	
	50	ISO-KF	
Dimensional Drawing	315339	Rev.	A