



VAT Vakuumventile AG  
CH-9469 Haag, Schweiz

## Product data sheet

**Mini UHV gate valve, Series 010, DN 40 (ID 1½")**  
**Ordering No. 01032-CE44**

### Description

Flange	CF-F 40
Actuator	pneumatic, double acting – with solenoid valve – with position indicator
Feedthrough	Bellows

### Technical data

Leak rate	– Valve body – Valve seat	$< 5 \cdot 10^{-10}$ mbar ls <sup>-1</sup> $< 1 \cdot 10^{-9}$ mbar ls <sup>-1</sup>
Pressure range		$1 \cdot 10^{-10}$ mbar to 2 bar (abs)
Differential pressure on the gate		≤ 2 bar
Differential pressure at opening		≤ 30 mbar
Conductance (molecular flow)		220 ls <sup>-1</sup>
Cycles until first service		50 000
Temperature (Maximum values: depending on operating conditions and sealing materials)	– Valve Body – Actuator – Solenoid valve – Position indicator	≤ 250 °C open / ≤ 200 °C closed (bake-out max. 24h) ≤ 200 °C ≤ 50 °C ≤ 80 °C
Heating and cooling rate		≤ 50 °C h <sup>-1</sup>
Material	– Valve Body – Gate – Bellows	AISI 304 (1.4301), AISI 316L (1.4435) AISI 304 (1.4301) AISI 316L (1.4404, 1.4435)
Seal	– Bonnet – Gate – Actuator	metal FKM (Viton®), vulcanized FKM (Viton®)
Mounting position		any
Volume of pneumatic actuator		0.06 l / 0.002 ft <sup>3</sup>
Compressed air min. – max. overpressure		5 – 7 bar / 73 – 102 psi
Compressed air connection		G 1/8" (1/8" NPT for USA)
Actuation time	– closing – opening	0.7 s 0.7 s
Weight		2.2 kg / 4.85 lbs

Created by: SON	Release date: 2012-12-06	1 of 2
Modified by:	Release date:	<b>270409EA</b>



VAT Vakuumentile AG  
CH-9469 Haag, Schweiz

## Product data sheet

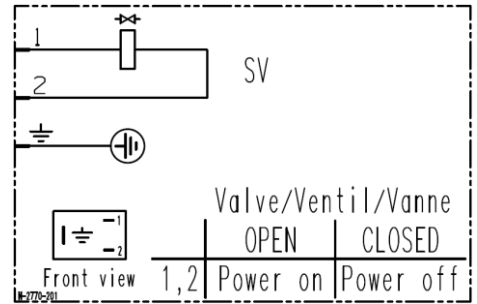
**Mini UHV gate valve, Series 010, DN 40 (ID 1½")**  
**Ordering No. 01032-CE44**

Behavior in case of compressed air pressure drop	- Valve closed - Valve open	valve remains closed undefined
Behavior in case of power failure	- Valve closed - Valve open	valve remains closed valve closes

### Electrical connections

#### Solenoid valve

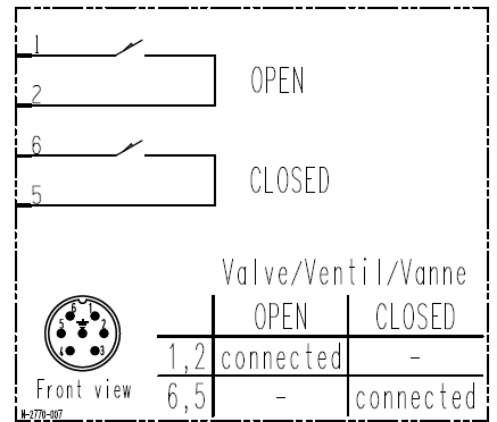
Type	4/2-way
Voltage	Defined by order



Wiring diagram

#### Position indicator

Type	Micro switch
Voltage	≤ 250 V AC    ≤ 50 V DC
Current max.	5.0 A            3 A



Wiring diagram