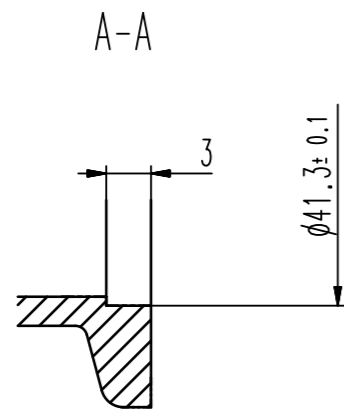
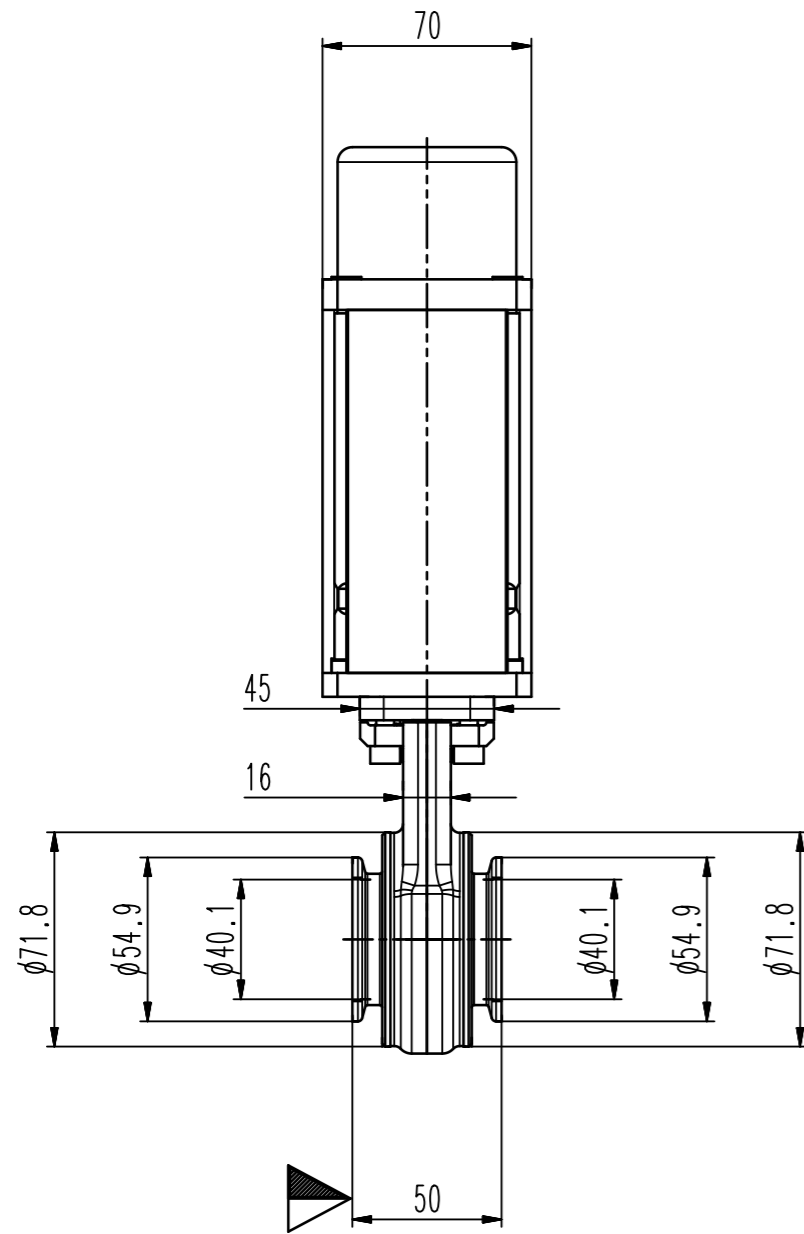


This drawing is the property of VAT.

Revision

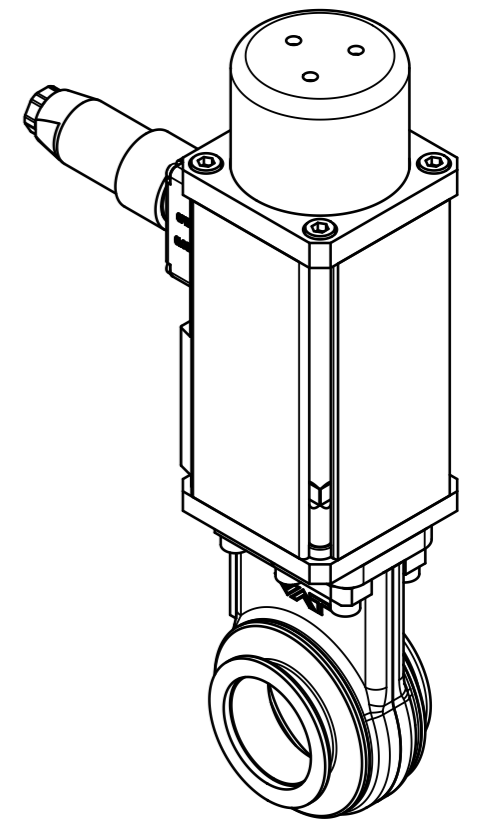
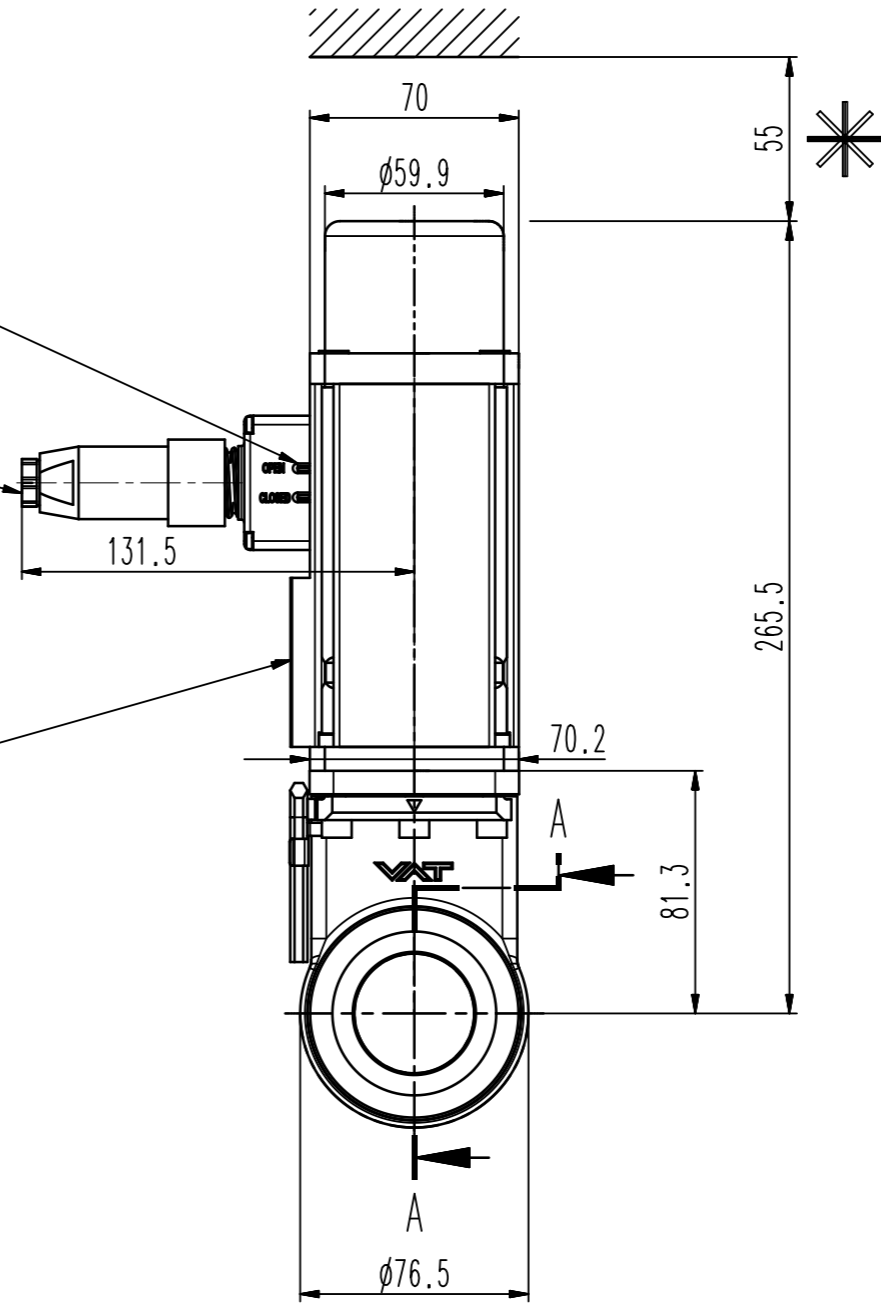
Customer number



7 pin



G1/8"
6-7 bar
(1/8" NPT
for USA)



- ▼ Seat side
- ⚡ Comp. air connection
- ⚡ Electrical connection
- ⊙ Leak detection port
- ⊙ Mech. pos. indication
- ⊙ Position indicator
- ⊙ Required for dismantling
- ⊙ Emergency actuation
- ⊙ For attachment
- ⊙ Bake-out area
- ⊙ Differential pumping port

Mini UHV gate valve



VAT Vakuumventile AG

CH-9469 Haag, Switzerland
Tel ++41 81 7716161 Fax ++41 81 7714830

Rev.-Date: 09.09.20

Visa: KON

| | | | |
|---------------------|--------|--------------|-----------------|
| Series | 010 | Ordering No. | 01032-KE21-0002 |
| Projection E | DN | Flange | |
| | 40 | ISO-KF | |
| Dimensional Drawing | 315869 | Rev. | A |