



VAT Vakuumventile AG
CH-9469 Haag, Schweiz

Product data sheet

Mini UHV gate valve, Series 010, DN 40 (ID 1½")
Ordering No. 01032-KE44

Description

| | |
|-------------|--|
| Flange | ISO-KF 40 |
| Actuator | pneumatic, double acting – with solenoid valve – with position indicator |
| Feedthrough | Bellows |

Technical data

| | | |
|--|--|--|
| Leak rate | – Valve body – Valve seat | $< 5 \cdot 10^{-10}$ mbar ls ⁻¹ $< 1 \cdot 10^{-9}$ mbar ls ⁻¹ |
| Pressure range | | $1 \cdot 10^{-10}$ mbar to 2 bar (abs) |
| Differential pressure on the gate | | ≤ 2 bar |
| Differential pressure at opening | | ≤ 30 mbar |
| Conductance (molecular flow) | | 220 ls ⁻¹ |
| Cycles until first service | | 50 000 |
| Temperature (Maximum values: depending on operating conditions and sealing materials) | – Valve Body – Actuator – Solenoid valve – Position indicator | ≤ 250 °C open / ≤ 200 °C closed (bake-out max. 24h) ≤ 200 °C ≤ 50 °C ≤ 80 °C |
| Heating and cooling rate | | ≤ 50 °C h ⁻¹ |
| Material | – Valve Body – Gate – Bellows | AISI 304 (1.4301), AISI 316L (1.4435) AISI 304 (1.4301) AISI 316L (1.4404, 1.4435) |
| Seal | – Bonnet – Gate – Actuator | metal FKM (Viton®), vulcanized FKM (Viton®) |
| Mounting position | | any |
| Volume of pneumatic actuator | | 0.06 l / 0.002 ft ³ |
| Compressed air min. – max. overpressure | | 5 – 7 bar / 73 – 102 psi |
| Compressed air connection | | G 1/8" (1/8" NPT for USA) |
| Actuation time | – closing – opening | 0.7 s 0.7 s |
| Weight | | 2.2 kg / 4.85 lbs |

| | | |
|-----------------|--------------------------|-----------------|
| Created by: SON | Release date: 2012-12-06 | 1 of 2 |
| Modified by: | Release date: | 298560EA |



VAT Vakuumentile AG
CH-9469 Haag, Schweiz

Product data sheet

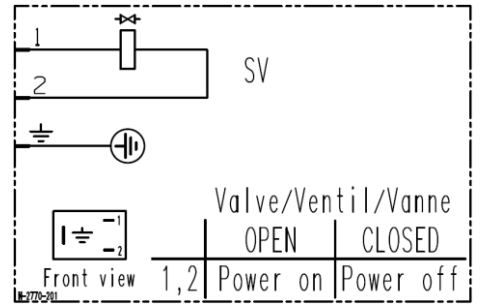
Mini UHV gate valve, Series 010, DN 40 (ID 1½")
Ordering No. 01032-KE44

| | | |
|--|--------------------------------|--------------------------------------|
| Behavior in case of compressed air pressure drop | – Valve closed – Valve open | valve remains closed undefined |
| Behavior in case of power failure | – Valve closed – Valve open | valve remains closed valve closes |

Electrical connections

Solenoid valve

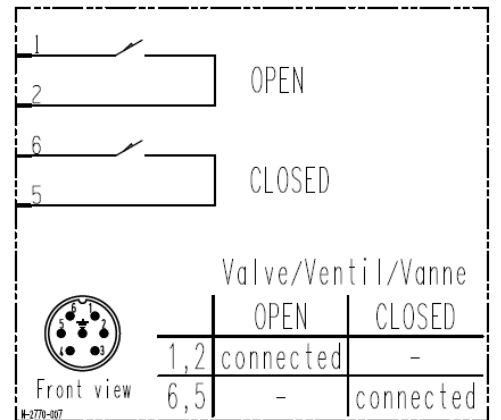
| | |
|---------|------------------|
| Type | 4/2-way |
| Voltage | Defined by order |



Wiring diagram

Position indicator

| | |
|--------------|-------------------------|
| Type | Micro switch |
| Voltage | ≤ 250 V AC ≤ 50 V DC |
| Current max. | 5.0 A 3 A |



Wiring diagram