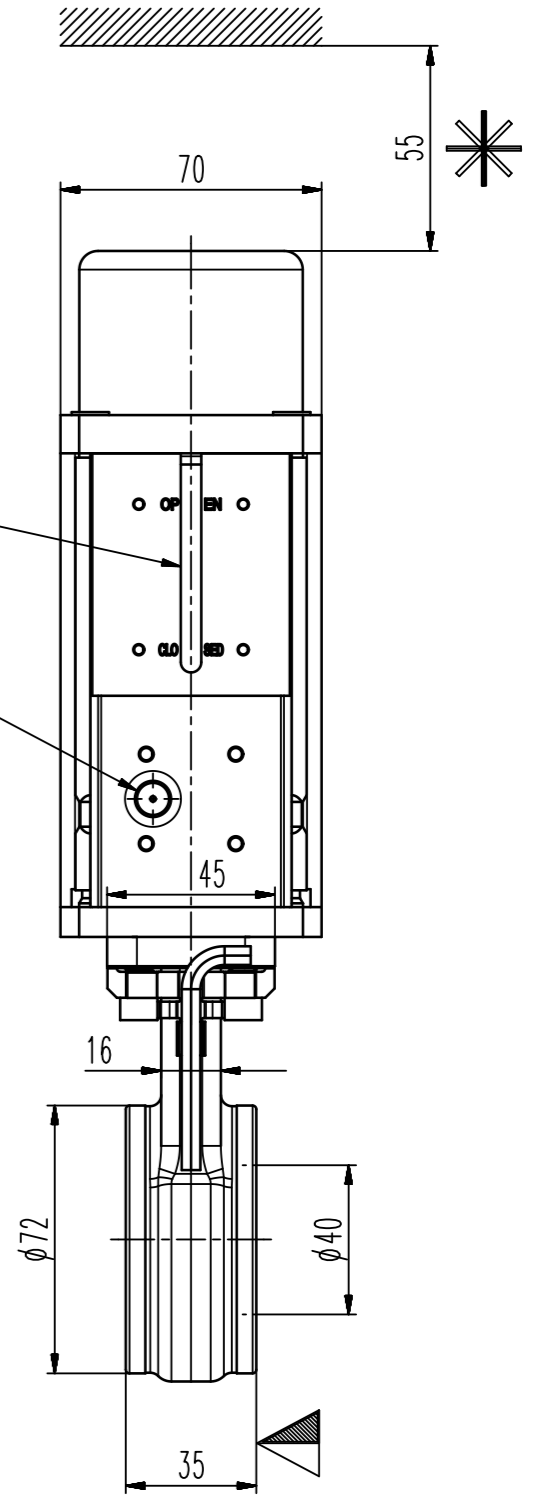


R1/8"  
4.5-7 bar  
(1/8" NPT for USA)



- ▼ Seat side
- ⊙ Comp. air connection
- ⊕ Electrical connection
- ⊖ Leak detection port
- ⊙ Mech. pos. indication
- ⊙ Position indicator
- ⊙ \* Required for dismantling
- ⊙ Emergency actuation
- ⊙ For attachment
- ⊙ Bake-out area
- ⊙ Differential pumping port

### Mini UHV gate valve



VAT Vakuumentile AG  
CH-9469 Haag, Switzerland  
Tel ++41 81 7716161 Fax ++41 81 7714830

Date: 01.05.06  
Name: GRK

Series	010	Ordering No.	01032-UE11-0002
Projection E	DN	Flange	
	40	CF-F UNF	
Dimensional Drawing	315956	Rev.	