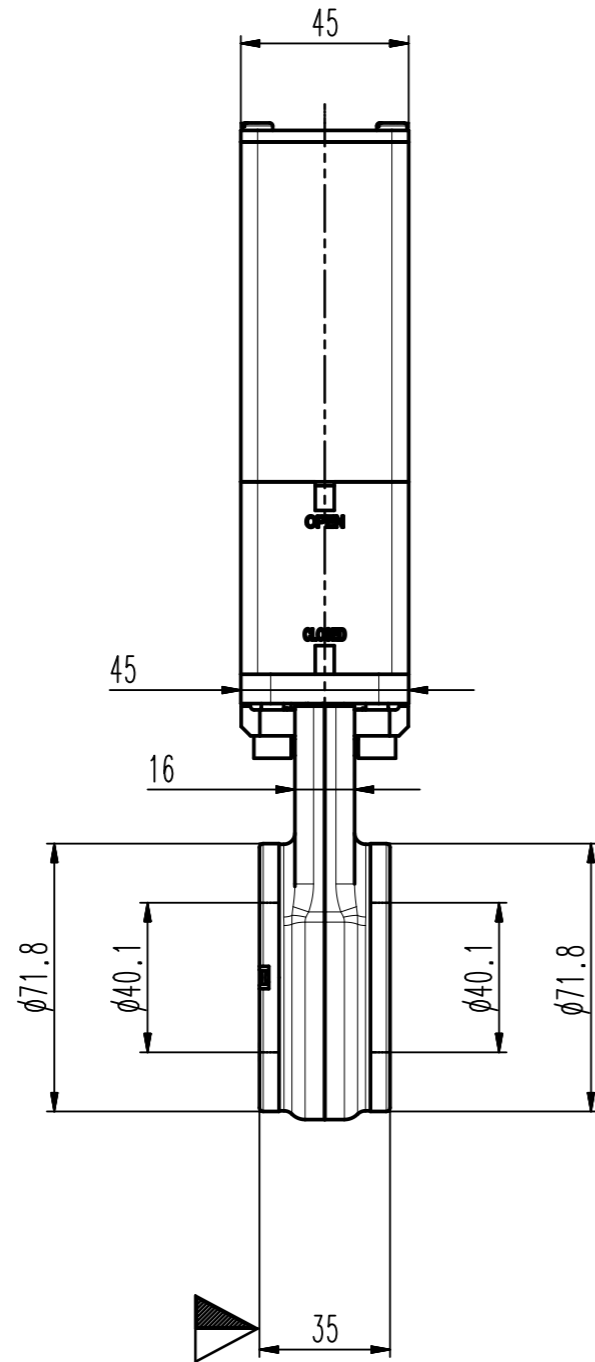
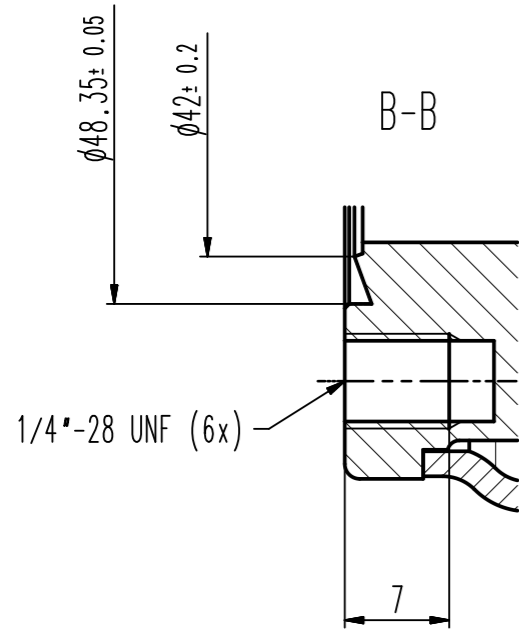


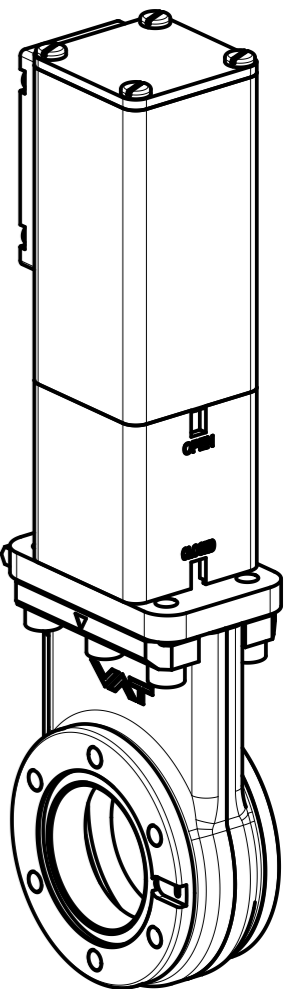
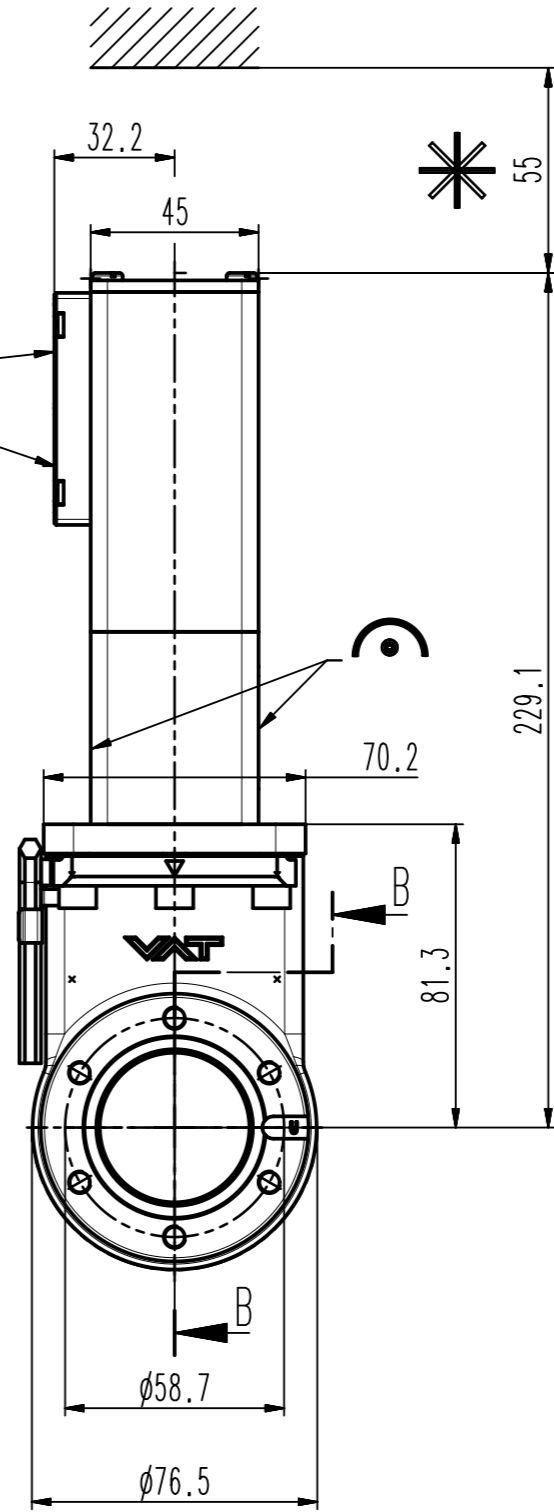
This drawing is the property of VAT.

Revision

Customer number



1/8" ISO/NPT
5-7 bar



- ▼ Seat side
- ⊙ Comp. air connection
- ⊙ Electrical connection
- ⊙ Leak detection port
- ⊙ Mech. pos. indication
- ⊙ Position indicator
- ⊙ Required for dismantling
- ⊙ Emergency actuation
- ⊙ For attachment
- ⊙ Bake-out area
- ⊙ Differential pumping port

Mini UHV gate valve



VAT Vakuumventile AG
CH-9469 Haag, Switzerland
Tel ++41 81 7716161 Fax ++41 81 7714830

Rev.-Date: 02.05.06
Visa: GRK

Series	010	Ordering No.	01032-UE14-0005
Projection E	DN	Flange	
	40	CF-F UNF	
Dimensional Drawing	315989	Rev.	