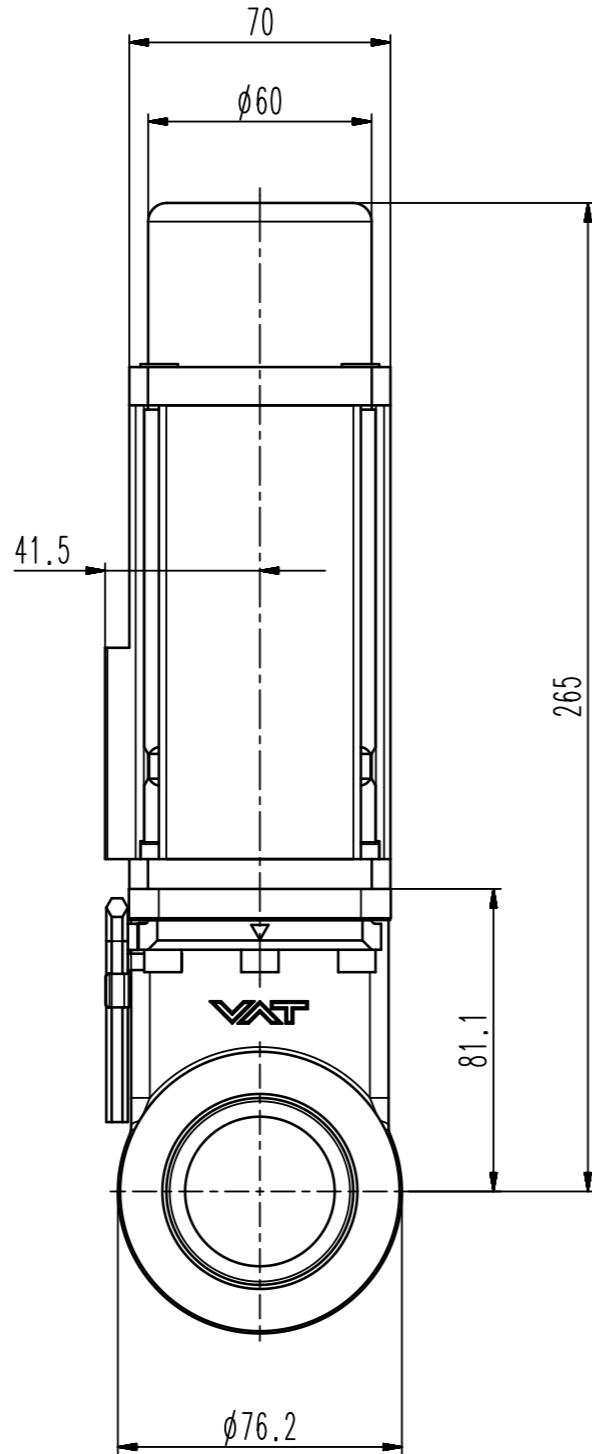
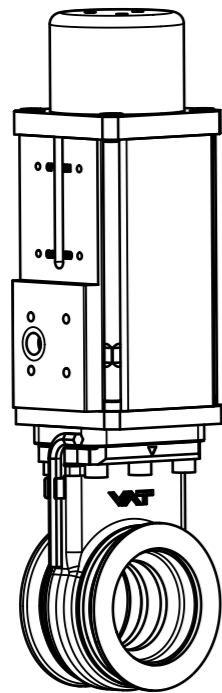


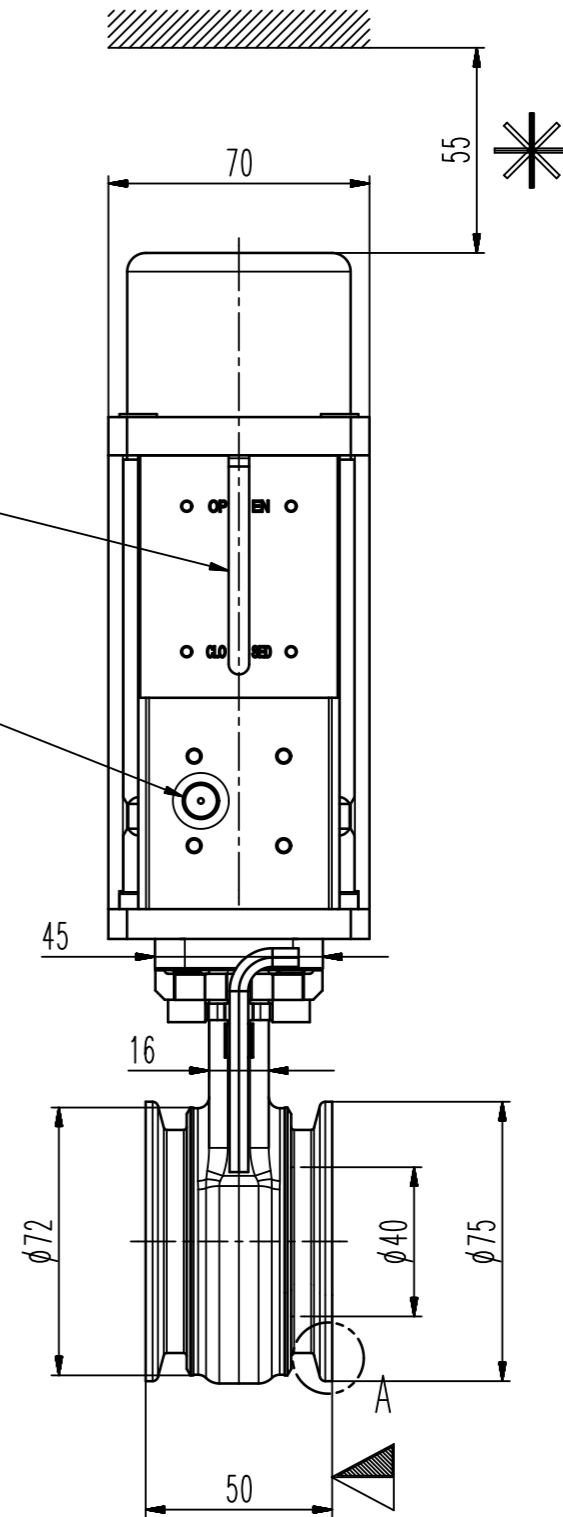
This drawing is the property of VAT.

Revision

Customer number



R1/8"
4.5-7 bar
(1/8" NPT for USA)



A (1:1)

- ▼ Seat side
- ⊙ Comp. air connection
- ⊙ Electrical connection
- ⊙ Leak detection port
- ⊙ Mech. pos. indication
- ⊙ Position indicator
- ⊙ * Required for dismantling
- ⊙ Emergency actuation
- ⊙ For attachment
- ⊙ Bake-out area
- ⊙ Differential pumping port

Mini UHV gate valve



VAT Vakuumentile AG
CH-9469 Haag, Switzerland
Tel ++41 81 7716161 Fax ++41 81 7714830

Date: 24.04.06
Name: GRK

Series	010	Ordering No.	01034-KE11-0002
Projection E	DN	Flange	
	50	ISO-KF	
Dimensional Drawing	315328	Rev.	