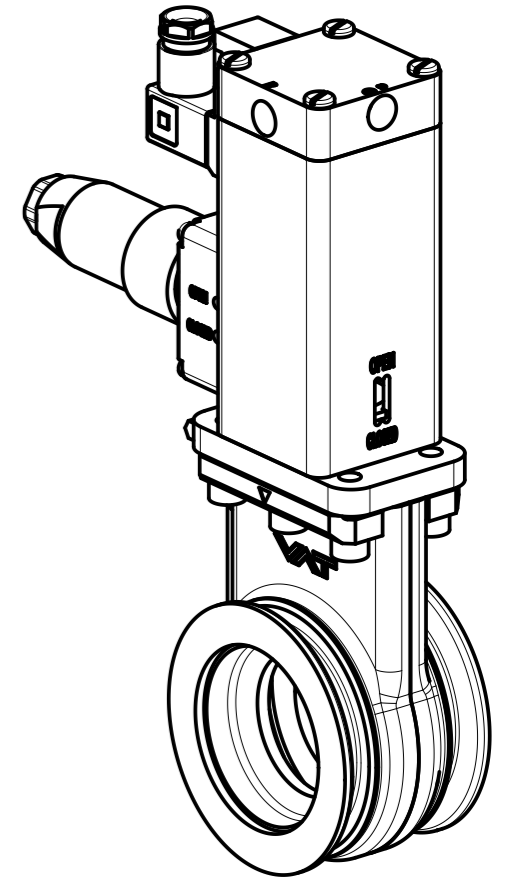
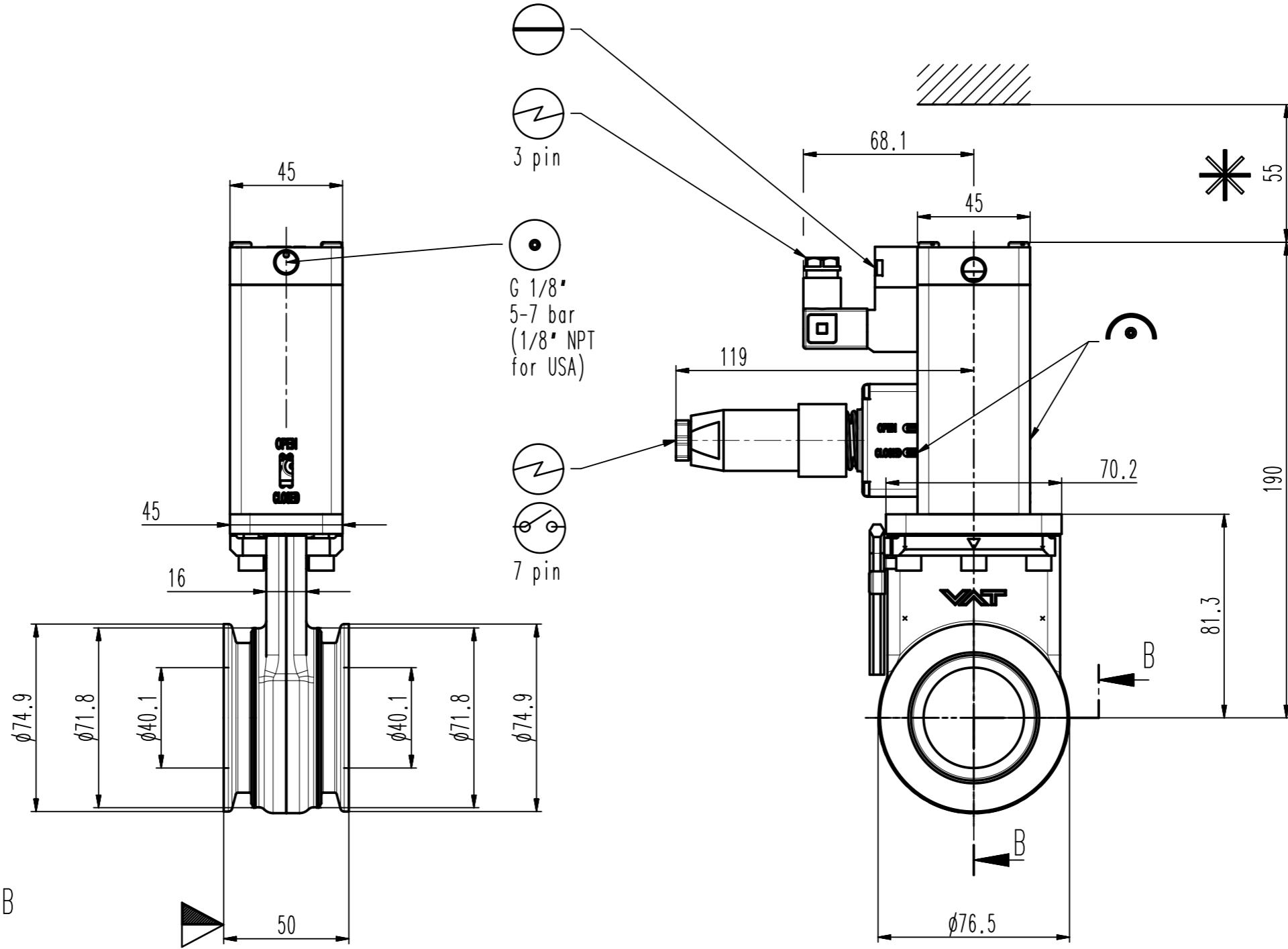


B-B



- ▼ Seat side
- Comp. air connection
- ⚡ Electrical connection
- Leak detection port
- Mech. pos. indication
- Position indicator
- ★ Required for dismantling
- ⚡ Emergency actuation
- For attachment
- Bake-out area
- Differential pumping port

Mini UHV gate valve



VAT Vakuumventile AG

CH-9469 Haag, Switzerland
Tel ++41 81 7716161 Fax ++41 81 7714830

Rev.-Date: 14.09.09

Visa: WID

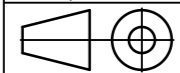
Series

010

Ordering No.

01034-KE42-0004

Projection E



DN

50

Flange

ISO-KF

Dimensional Drawing

318685

Rev.

A