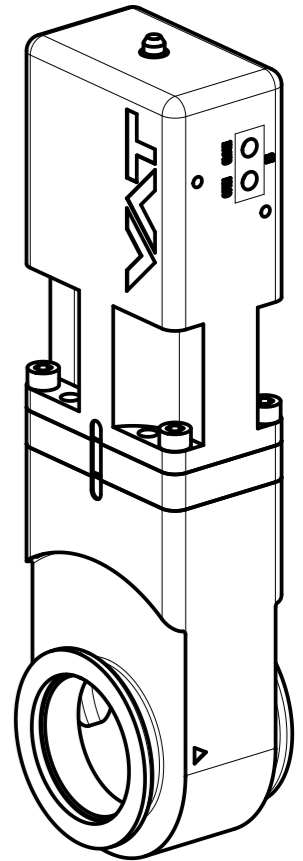
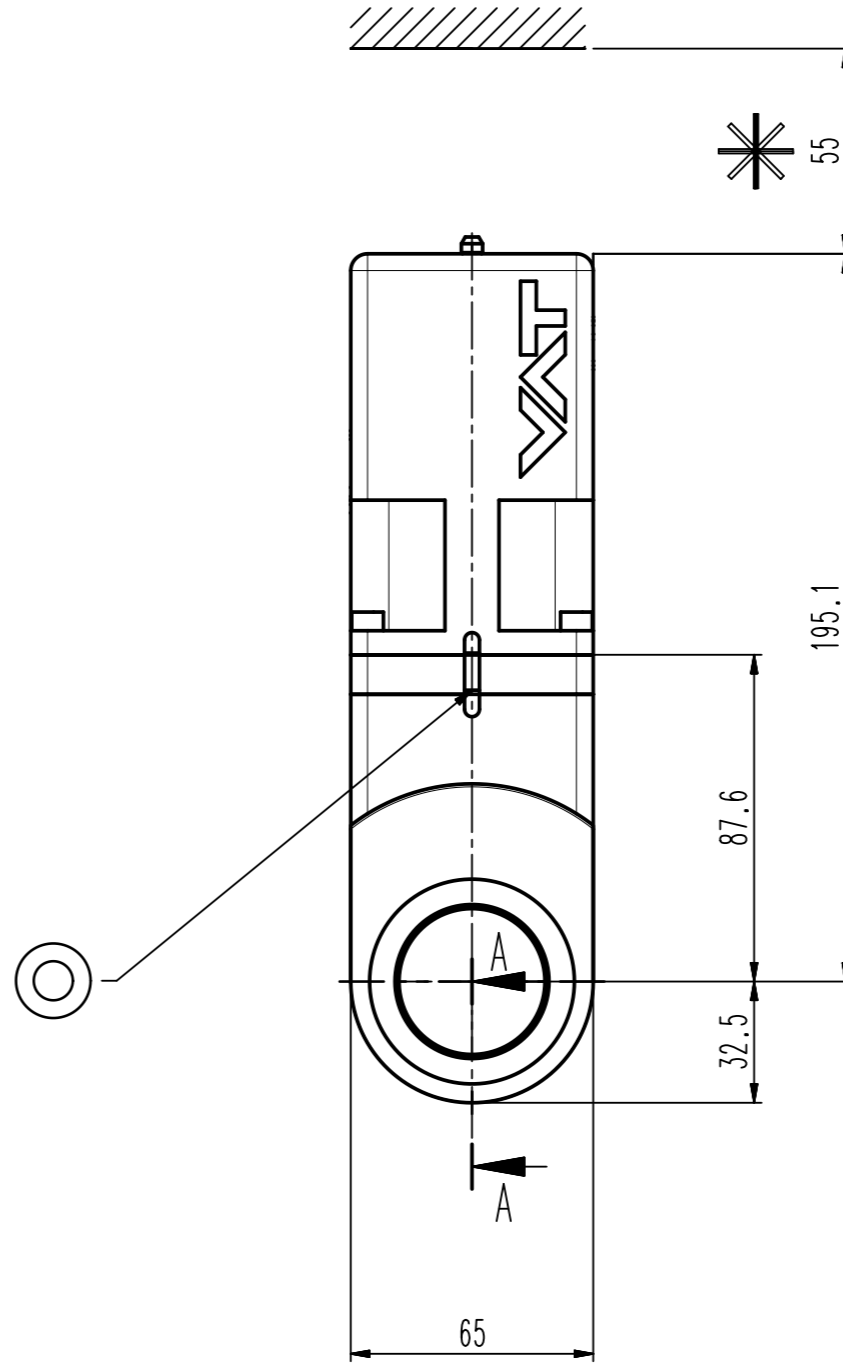


M5 - (10-32 UNF suitable)
4.5-7 bar



- ▼ Seat side
- ⊙ Comp. air connection
- ⊙ Electrical connection
- ⊙ Leak detection port
- ⊙ Mech. pos. indication
- ⊙ Position indicator
- ⊙ Required for dismantling
- ⊙ Emergency actuation
- ⊙ For attachment
- ⊙ Bake-out area
- ⊙ Differential pumping port

Mini vacuum gate valve



VAT Vakuumventile AG

CH-9469 Haag, Switzerland
Tel ++41 81 7716161 Fax ++41 81 7714830

Rev.-Date: 10.05.16

Visa: KON

Series	012	Ordering No.	01232-KA14-0001
Projection E	DN	Flange	
	40	ISO-KF	
Dimensional Drawing	844107	Rev.	