



VAT Vakuumventile AG
CH-9469 Haag, Schweiz

Product data sheet

Mini Vakuum gate valve, Series 012, DN 40 (ID 1½")
Ordering No. 01232-KA44

Description

Flange	ISO-KF 40
Actuator	pneumatic, double acting – with solenoid valve – with position indicator
Feedthrough	Shaft feed through

Technical data

Leak rate	– Valve body	$< 1 \cdot 10^{-9}$ mbar ls ⁻¹
	– Valve seat	$< 1 \cdot 10^{-9}$ mbar ls ⁻¹
Pressure range		$1 \cdot 10^{-7}$ mbar to 1 bar (abs)
Differential pressure on the gate		≤ 1 bar
Differential pressure at opening		≤ 30 mbar
Conductance (molecular flow)		140 ls ⁻¹
Cycles until first service		50 000
Temperature	– Valve Body	≤ 100 °C
(Maximum values: depending on operating conditions and sealing materials)	– Actuator	≤ 80 °C
	– Solenoid valve	≤ 50 °C
	– Position indicator	≤ 80 °C
Heating and cooling rate		≤ 30 °C h ⁻¹
Material	– Valve Body	EN AW – 6082 (3.2315)
	– Gate	AISI 304 (1.4301)
Seal	– Bonnet	FKM (Viton®)
	– Gate	FKM (Viton®), vulcanized
	– Actuator	FKM (Viton®)
Mounting position		any
Volume of pneumatic actuator		0.07 l / 0.002 ft ³
Compressed air min. – max. overpressure		4.5 – 7 bar / 65 – 100 psi
Compressed air connection		G 1/8" (1/8" NPT for USA)
Actuation time	– closing	1.2 s
	– opening	1.2 s
Weight		1.3kg / 2.8 lbs

Created by: SON	Release date: 2012-12-21	1 of 2
Modified by:	Release date:	271804EA



VAT Vakuumentile AG
CH-9469 Haag, Schweiz

Product data sheet

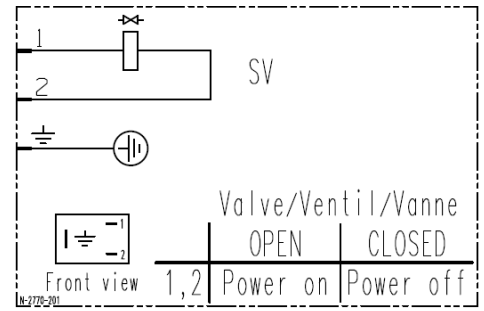
Mini Vakuum gate valve, Series 012, DN 40 (ID 1½")
Ordering No. 01232-KA44

Behavior in case of compressed air pressure drop	– Valve closed – Valve open	valve remains closed undefined
Behavior in case of power failure	– Valve closed – Valve open	valve remains closed valve closes

Electrical connections

Solenoid valve

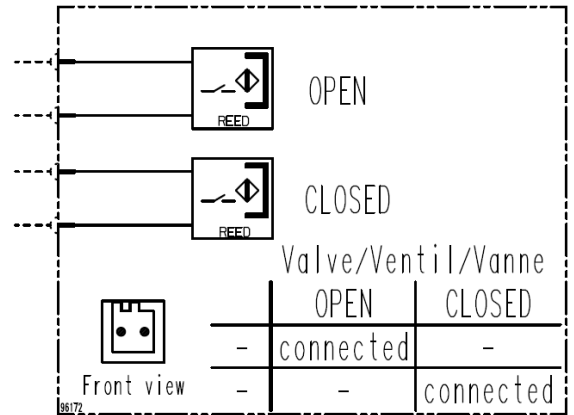
Type	4/2-way
Voltage	Defined by order



Wiring diagram

Position indicator

Voltage	≤ 250 V AC	≤ 50 V AC / DC
Current max.	5.0 A	≤ 0.5 A
Power	Max. 10 W	



Wiring diagram