



VAT Vakuumventile AG  
CH-9469 Haag, Schweiz

## Product data sheet

**Mini Vakuum gate valve, Series 012, DN 50 (ID 2")**  
**Ordering No. 01234-KA44**

### Description

Flange	ISO-KF 50
Actuator	pneumatic, double acting – with solenoid valve – with position indicator
Feedthrough	Shaft feed through

### Technical data

Leak rate	– Valve body – Valve seat	$< 1 \cdot 10^{-9}$ mbar ls <sup>-1</sup> $< 1 \cdot 10^{-9}$ mbar ls <sup>-1</sup>
Pressure range		$1 \cdot 10^{-7}$ mbar to 1 bar (abs)
Differential pressure on the gate		$\leq 1$ bar
Differential pressure at opening		$\leq 30$ mbar
Conductance (molecular flow)		260 ls <sup>-1</sup>
Cycles until first service		50 000
Temperature (Maximum values: depending on operating conditions and sealing materials)	– Valve Body – Actuator – Solenoid valve – Position indicator	$\leq 100$ °C $\leq 80$ °C $\leq 50$ °C $\leq 80$ °C
Heating and cooling rate		$\leq 30$ °C h <sup>-1</sup>
Material	– Valve Body – Gate	EN AW – 6082 (3.2315) AISI 304 (1.4301)
Seal	– Bonnet – Gate – Actuator	FKM (Viton®) FKM (Viton®), vulcanized FKM (Viton®)
Mounting position		any
Volume of pneumatic actuator		0.07 l / 0.002 ft <sup>3</sup>
Compressed air min. – max. overpressure		4.5 – 7 bar / 65 – 100 psi
Compressed air connection		G 1/8" (1/8" NPT for USA)
Actuation time	– closing – opening	1.3 s 1.3 s
Weight		1.6 kg / 3.5 lbs

Created by: SON	Release date: 2012-12-21	1 of 2
Modified by:	Release date:	<b>298772EA</b>



VAT Vakuumentile AG  
CH-9469 Haag, Schweiz

## Product data sheet

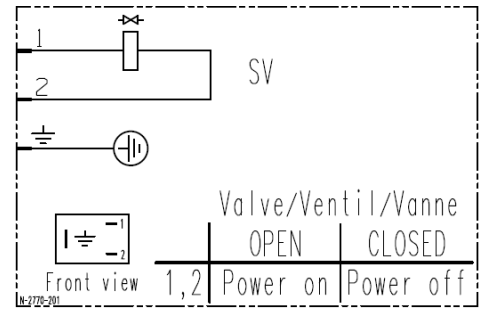
**Mini Vakuum gate valve, Series 012, DN 50 (ID 2")**  
**Ordering No. 01234-KA44**

Behavior in case of compressed air pressure drop	– Valve closed – Valve open	valve remains closed undefined
Behavior in case of power failure	– Valve closed – Valve open	valve remains closed valve closes

### Electrical connections

#### Solenoid valve

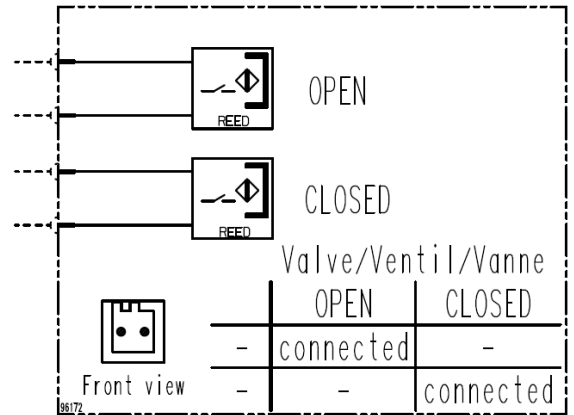
Type	4/2-way
Voltage	Defined by order



Wiring diagram

#### Position indicator

Voltage	≤ 250 V AC	≤ 50 V AC / DC
Current max.	5.0 A	≤ 0.5 A
Power	Max. 10 W	



Wiring diagram