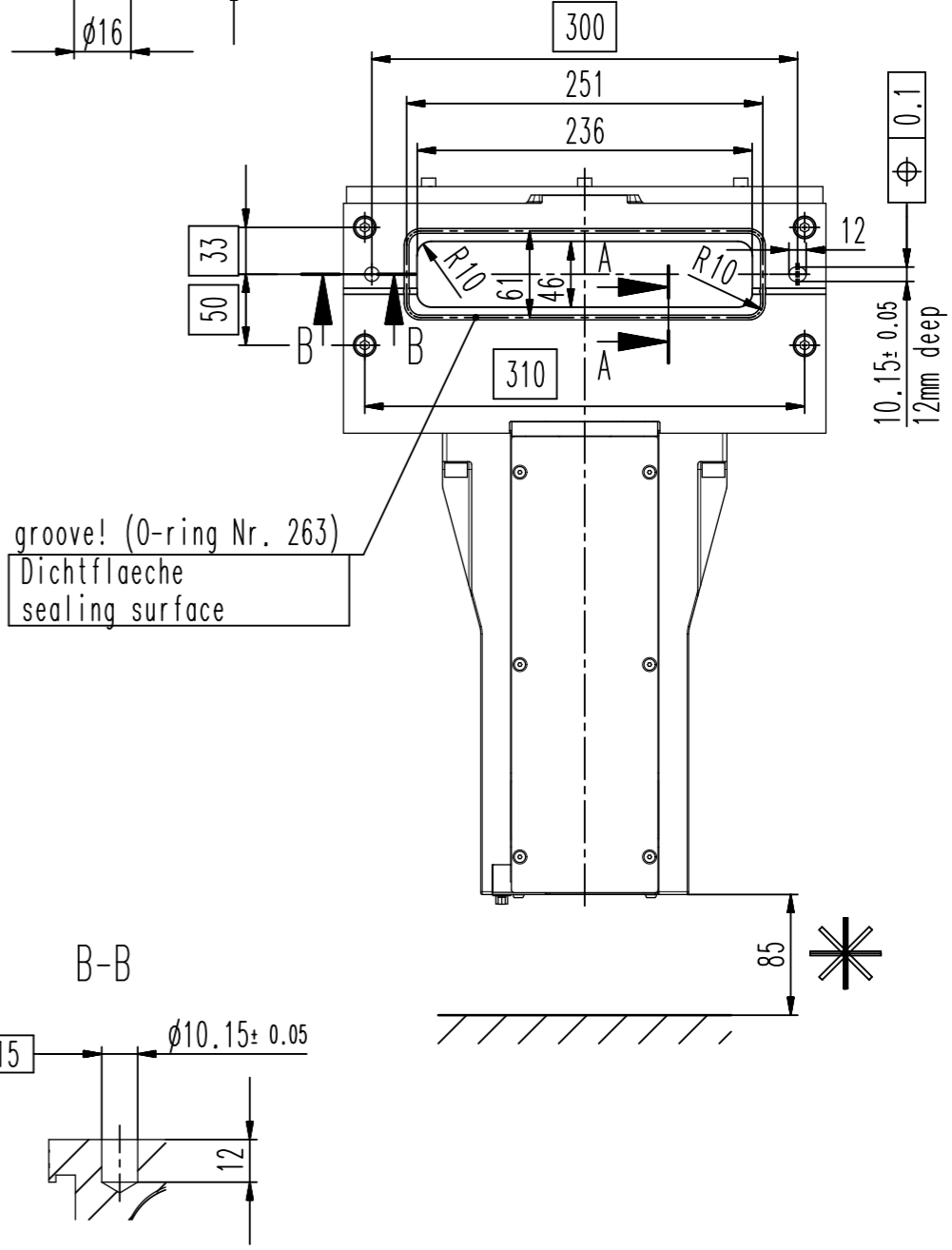
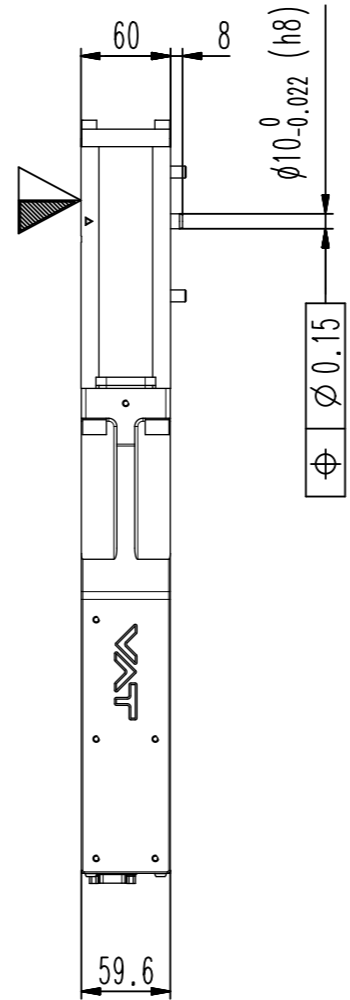
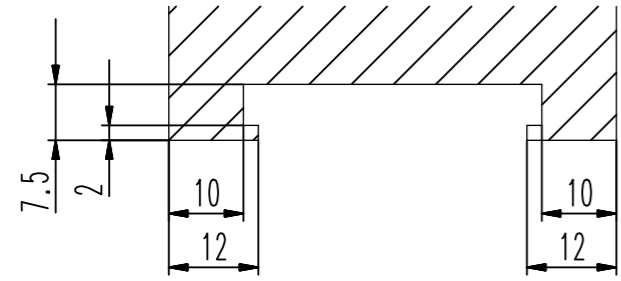


Position Switch	Valve Open Position	Valve Closed Position
Lo	PIN 1-7	-
Lg	-	PIN 2-8



D-D

Seat side = flange A
Rear side = flange B



- Seat side
- Comp. air connection
- Electrical connection
- Leak detection port
- Mech. pos. indication
- Position indicator
- Required for dismantling
- Emergency actuation
- For attachment
- Bake-out area
- Differential pumping port

Rectangular gate valve L-VAT



VAT Vakuumentile AG
CH-9469 Haag, Switzerland
Tel ++41 81 7716161 Fax ++41 81 7714830

Rev.-Date: 29.05.15
Visa: KCL

Series	042	Ordering No.	04210-AA24-0001
Projection E	DN	Flange	A
Dimensional Drawing	46x236	Rev.	A
	471671		