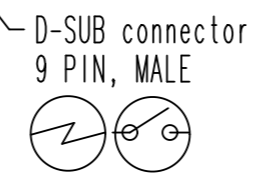


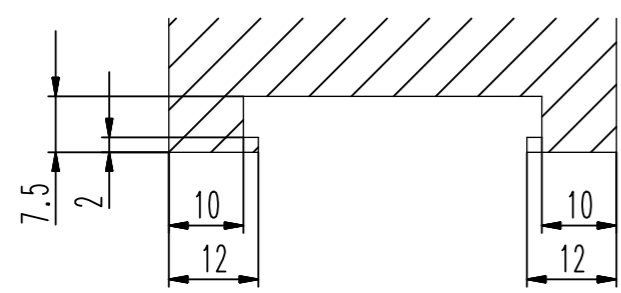
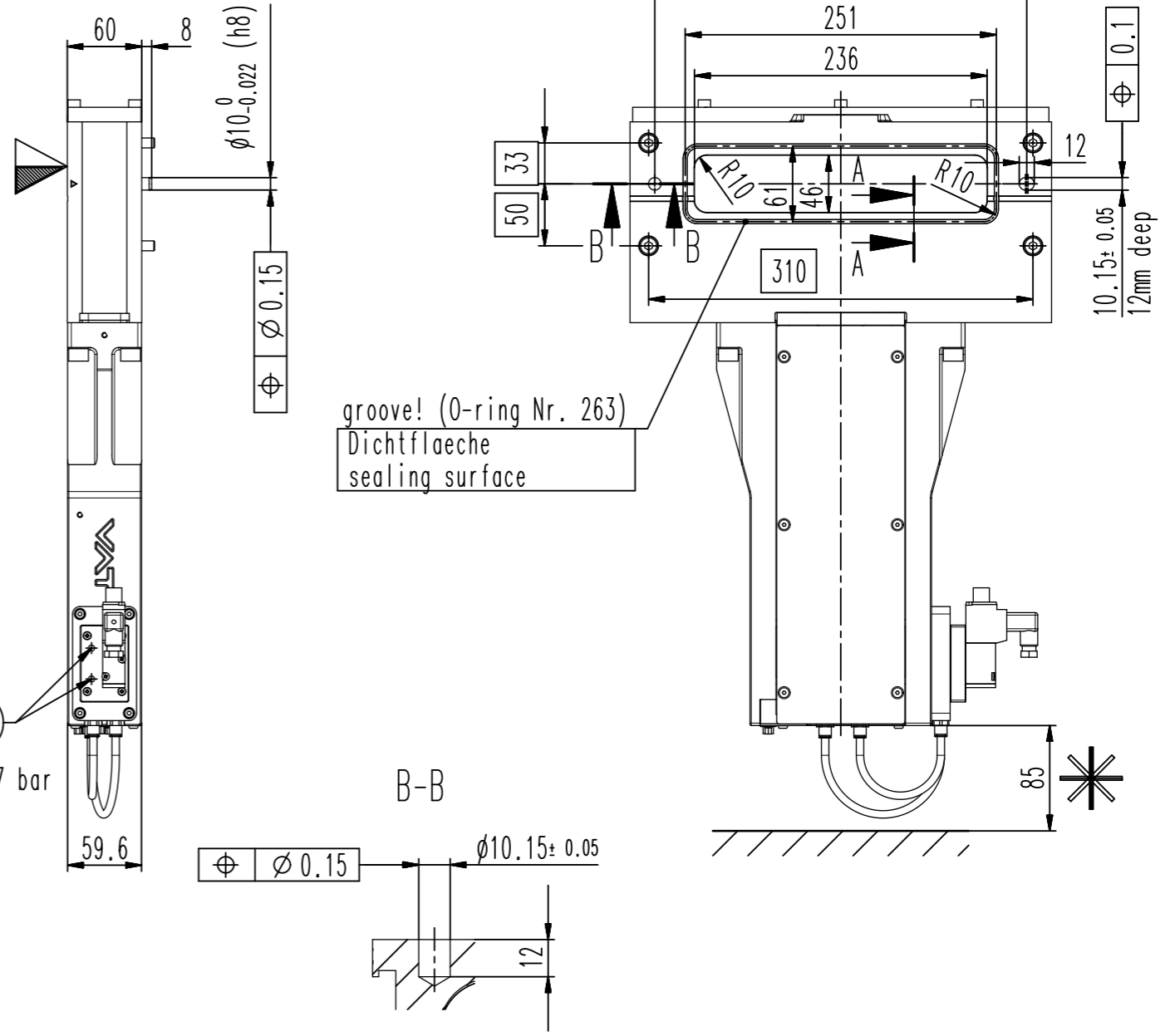
| Position Switch | Valve Open Position | Valve Closed Position |
|-----------------|---------------------|-----------------------|
| Lo | PIN 1-7 | - |
| Lg | - | PIN 2-8 |

M5 / 5-7 bar



D-D

Seat side = flange A
Rear side = flange B



- ◀ Seat side
- ⊙ Comp. air connection
- ⊙ Electrical connection
- ⊙ Leak detection port
- ⊙ Mech. pos. indication
- ⊙ Position indicator
- ⊙ Required for dismantling
- ⊙ Emergency actuation
- ⊙ For attachment
- ⊙ Bake-out area
- ⊙ Differential pumping port

Rectangular gate valve L-VAT



VAT Vakuumentile AG
CH-9469 Haag, Switzerland
Tel ++41 81 7716161 Fax ++41 81 7714830

Rev.-Date: 29.05.15
Visa: KCL

| | | | |
|---------------------|--------|--------------|-----------------|
| Series | 042 | Ordering No. | 04210-AA44-0001 |
| Projection E | DN | Flange | A |
| Dimensional Drawing | 46x236 | | |
| | 471726 | | Rev. A |