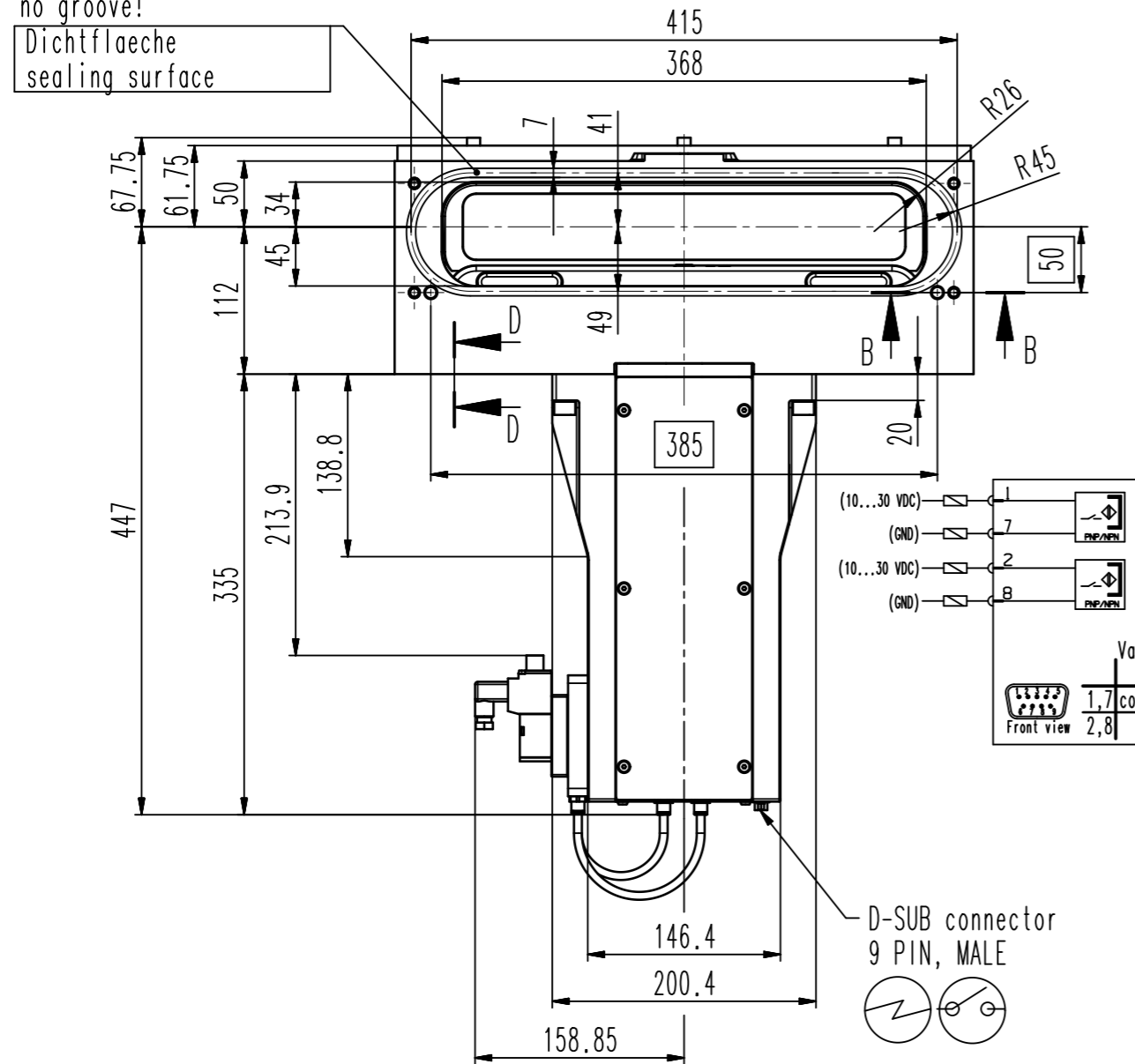


This drawing is the property of VAT.

Revision

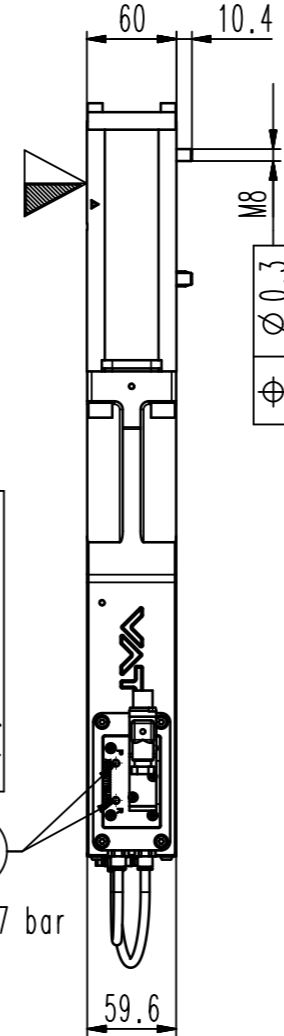
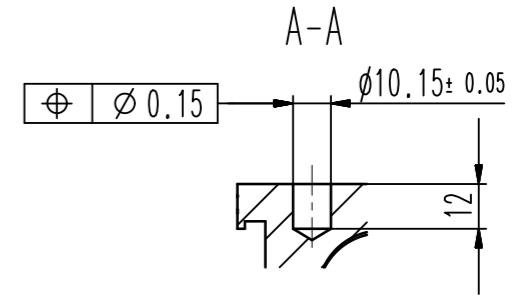
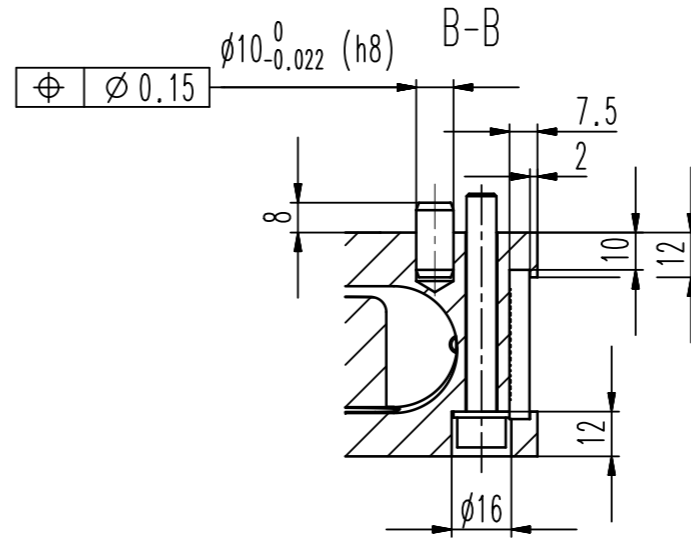
Customer number

no groove!
Dichtflaeche
sealing surface

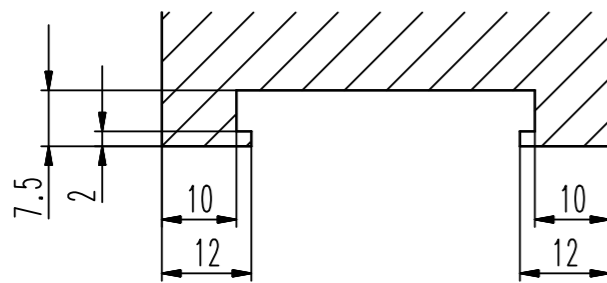
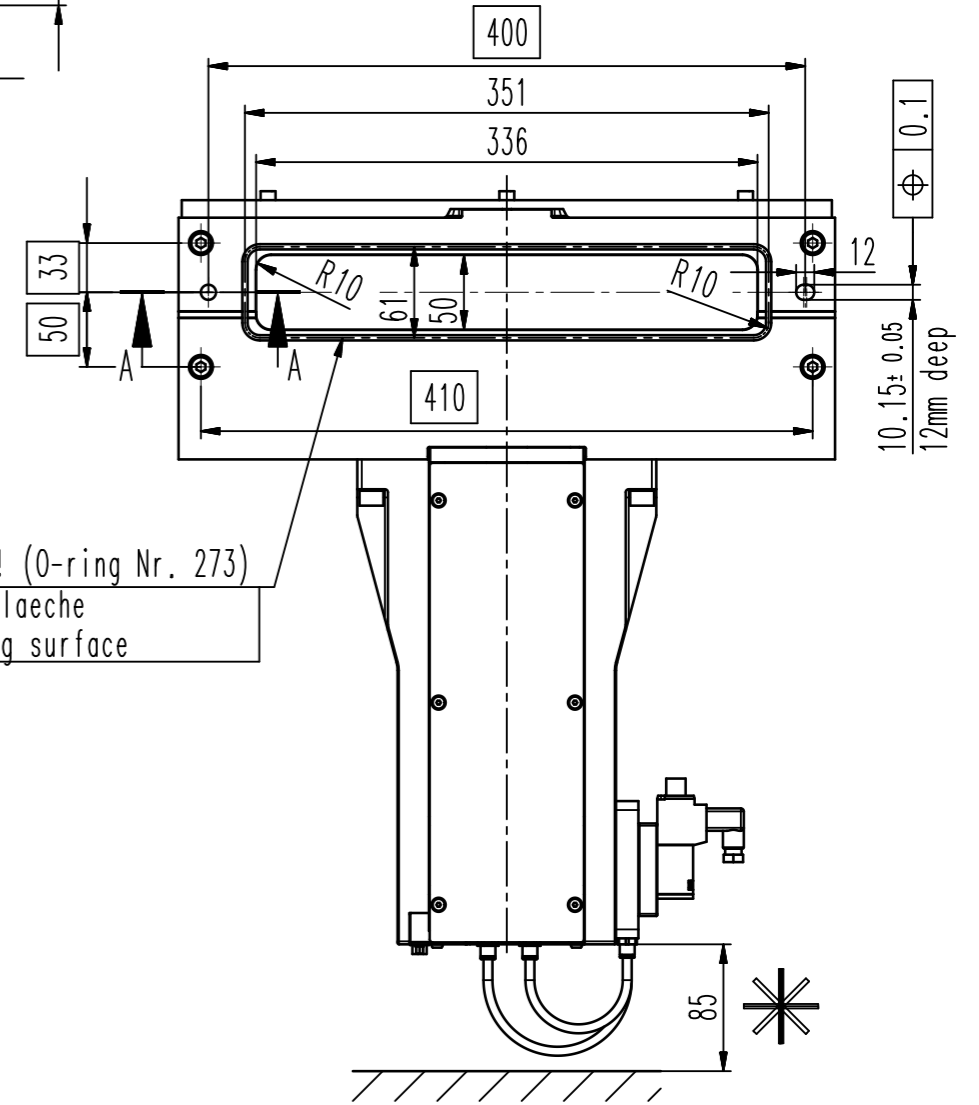


D-D

Seat side = flange A
Rear side = flange B



groove! (O-ring Nr. 273)
Dichtflaeche
sealing surface



- Seat side
- Comp. air connection
- Electrical connection
- Leak detection port
- Mech. pos. indication
- Position indicator
- Required for dismantling
- Emergency actuation
- For attachment
- Bake-out area
- Differential pumping port

Transfer valve L-VAT



VAT Vakuumventile AG

CH-9469 Haag, Switzerland
Tel ++41 81 7716161 Fax ++41 81 7714830

Rev.-Date: 15.08.20

Visa: KHOY

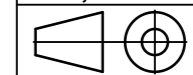
Series

042

Ordering No.

04212-BA44-0003

Projection E



DN Flange

50x336

Rev.

Dimensional
Drawing

1052101

Rev.

VAT/DA