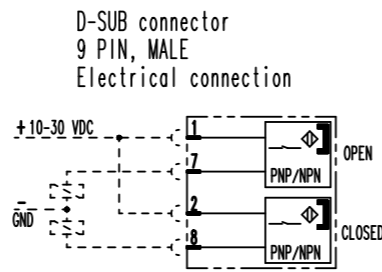
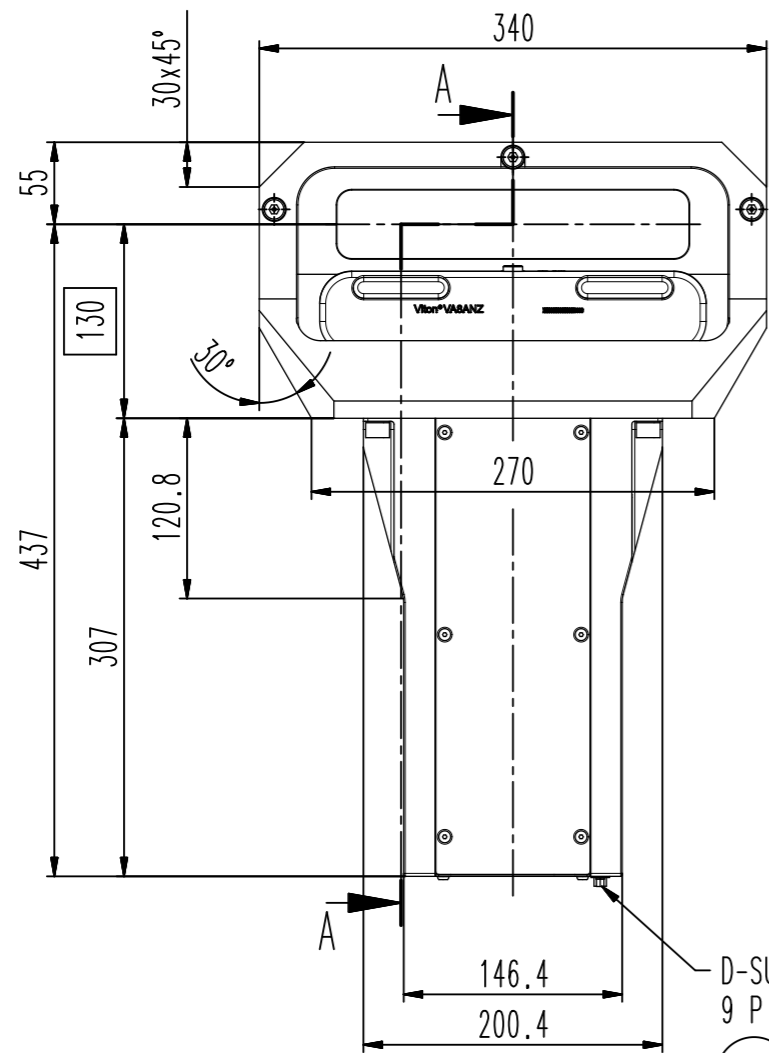
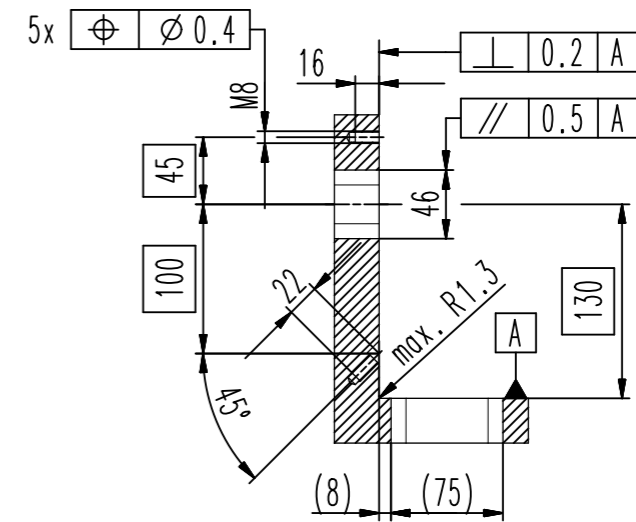


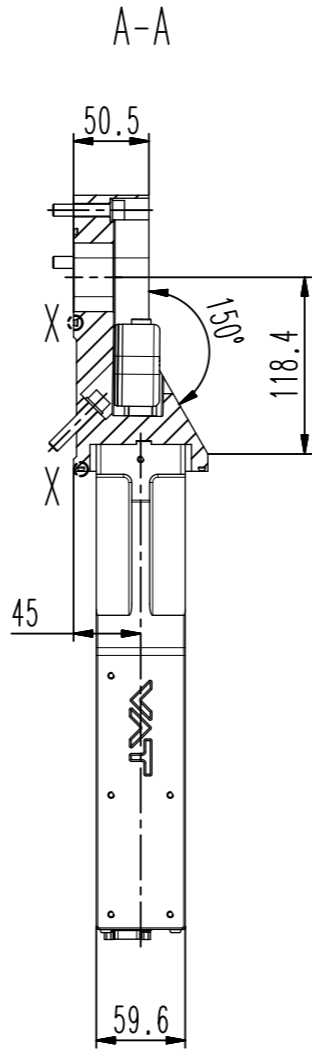
VAT-recommendation for chamber interface



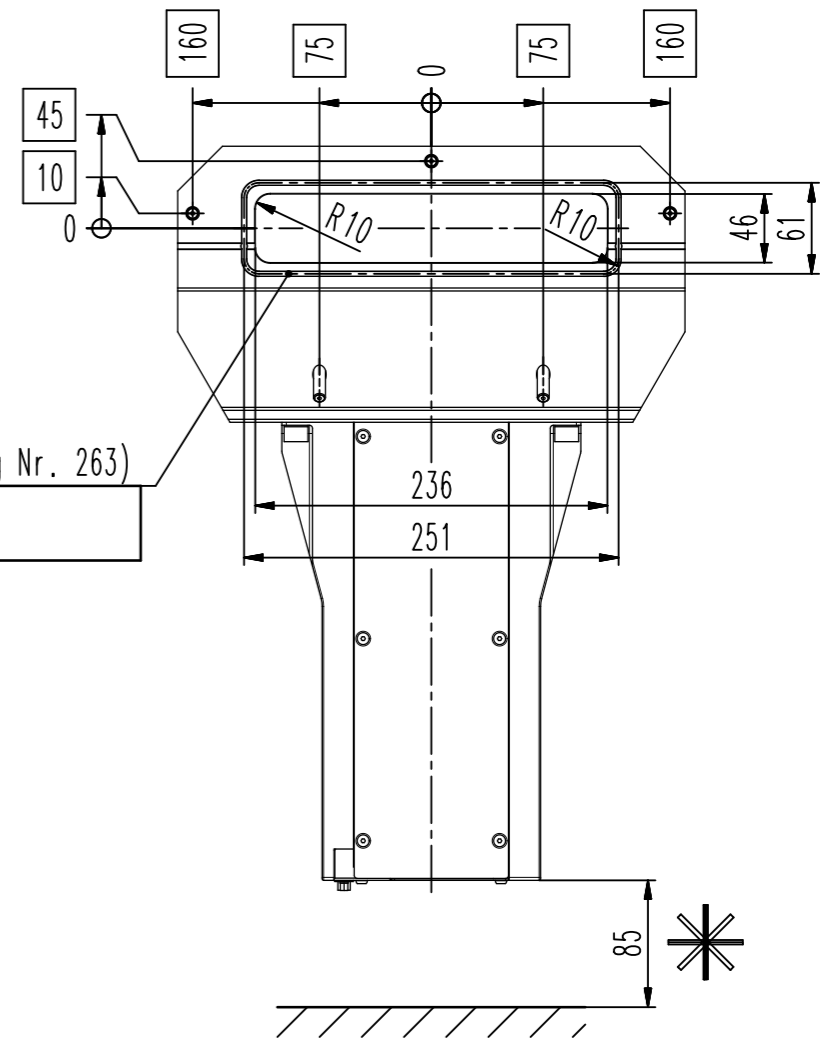
Position Switch	Valve Open Position	Valve Closed Position
Lo	PIN 1-7	-
Lg	-	PIN 2-8



D-SUB connector
9 PIN, MALE



groove! (O-ring Nr. 263)
Dichtflaeche
sealing surface



- ▼ Seat side
- ⊙ Comp. air connection
- ⊙ Electrical connection
- ⊙ Leak detection port
- ⊙ Mech. pos. indication
- ⊙ Position indicator
- ⊙ Required for dismantling
- ⊙ Emergency actuation
- ⊙ For attachment
- ⊙ Bake-out area
- ⊙ Differential pumping port

Rectangular insert L-VAT



VAT Vakuumentile AG
CH-9469 Haag, Switzerland
Tel ++41 81 7716161 Fax ++41 81 7714830

Rev.-Date: 05.06.15
Visa: KCL

Series	052	Ordering No.	05210-CA24-0001
Projection E	DN	Flange	C
Dimensional Drawing	46x236	Rev.	A

474355