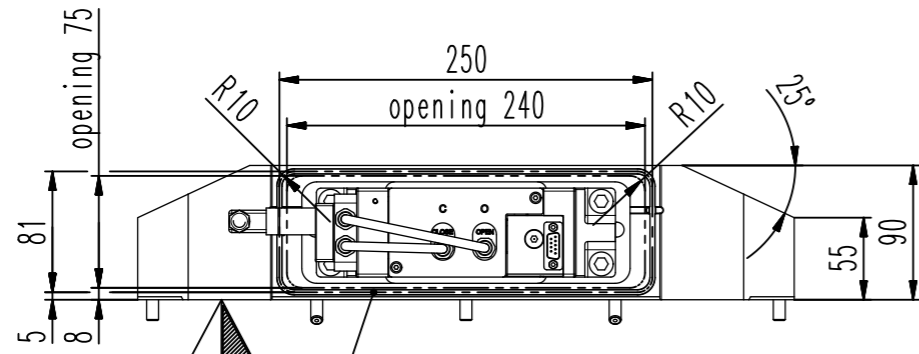


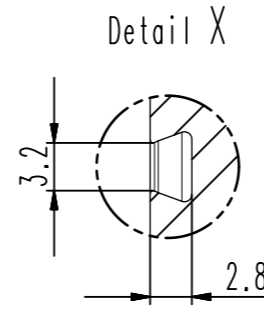
This drawing is the property of VAT.

Revision

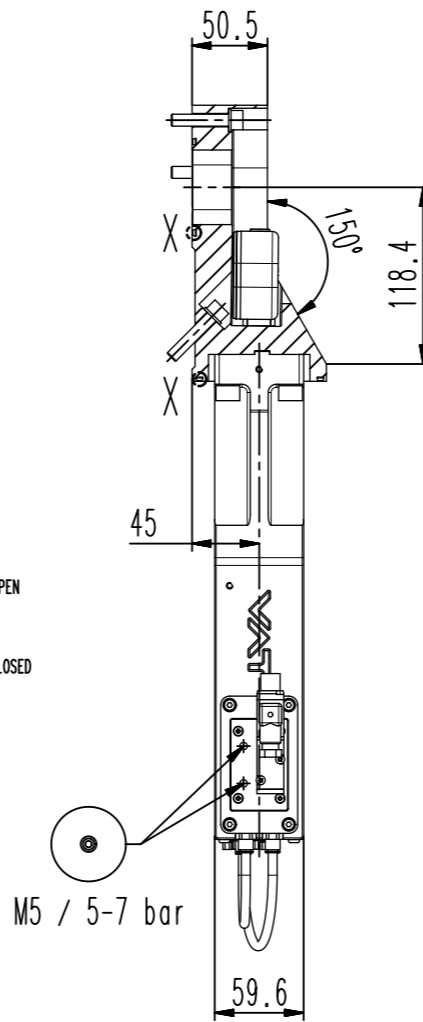
Customer number



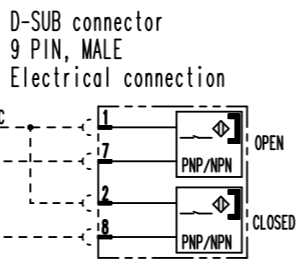
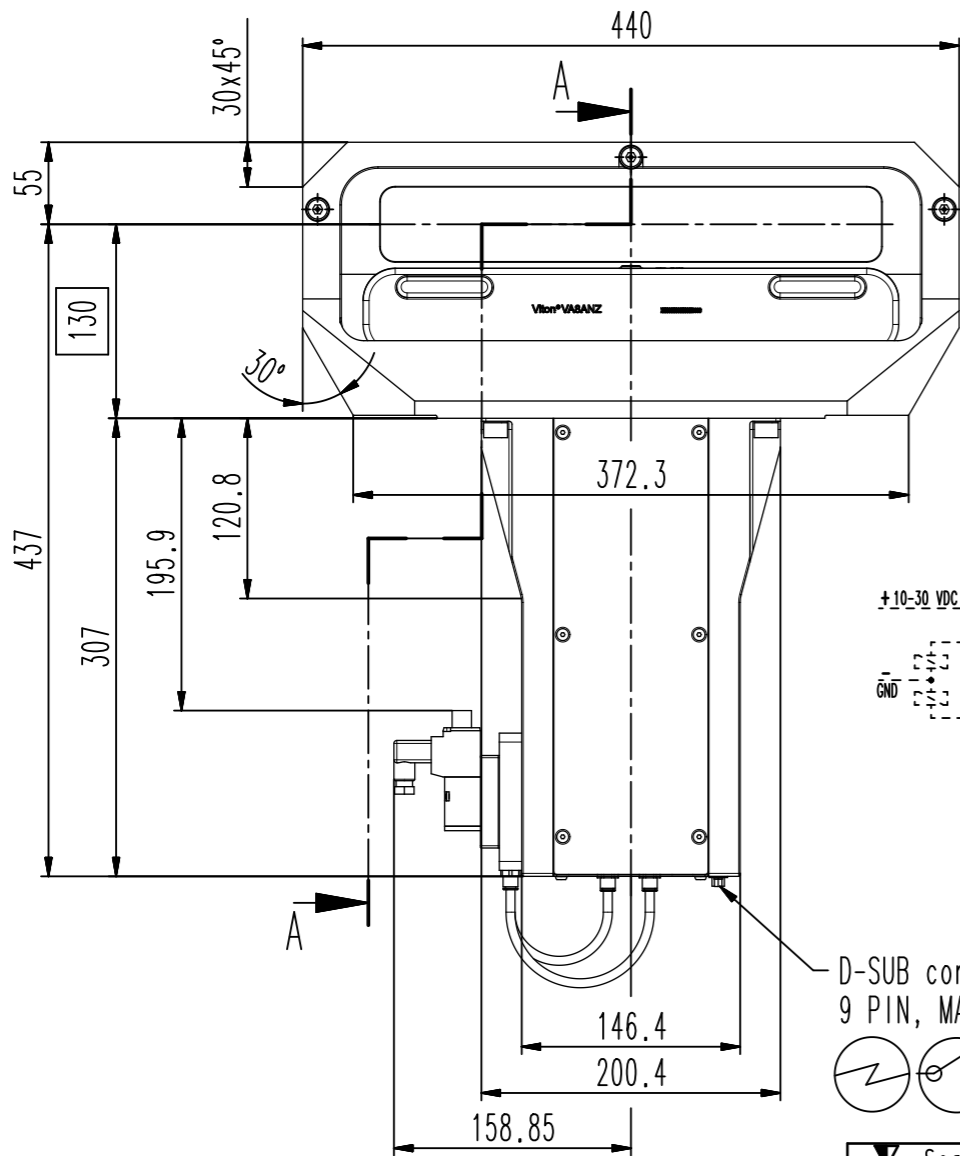
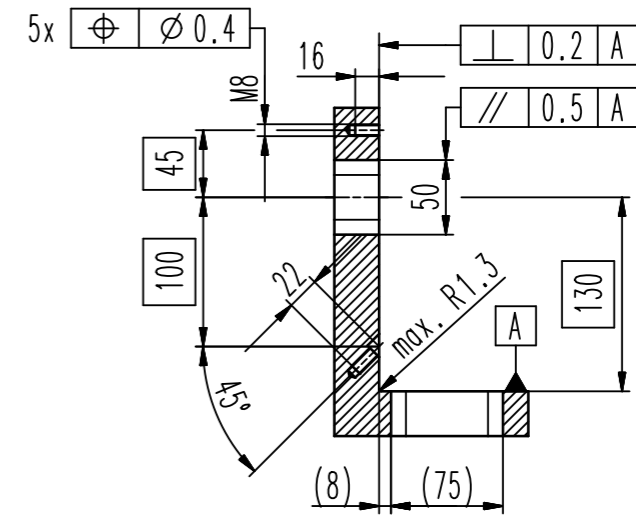
groove! (O-ring Nr. 265)  
Dichtflaeche  
sealing surface



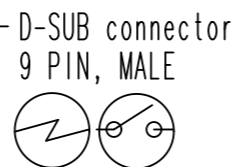
A-A



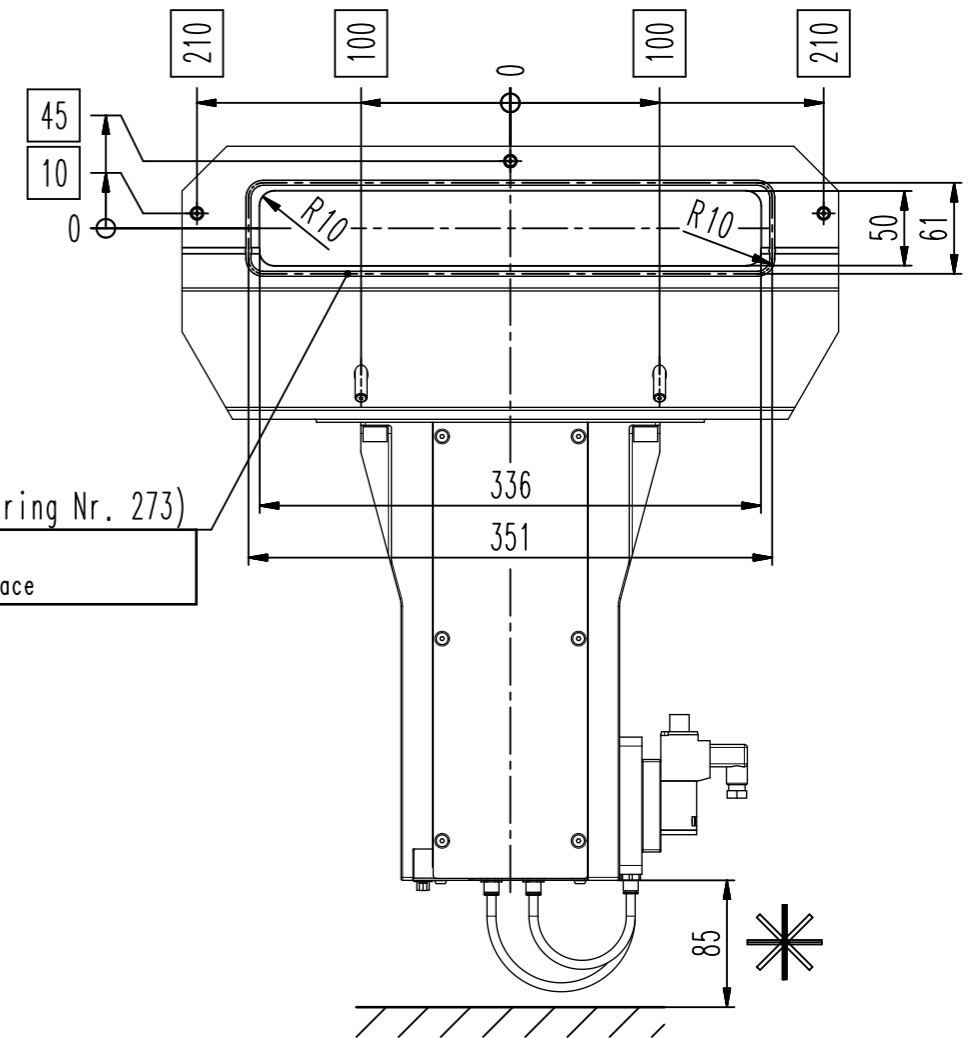
VAT-recommendation for chamber interface



Position Switch	Valve Open Position	Valve Closed Position
Lo	PIN 1-7	-
Lg	-	PIN 2-8



groove! (O-ring Nr. 273)  
Dichtflaeche  
sealing surface



- ◀ Seat side
- ⊙ Comp. air connection
- ⊙ Electrical connection
- ⊙ Leak detection port
- ⊙ Mech. pos. indication
- ⊙ Position indicator
- ⊙ Required for dismantling
- ⊙ Emergency actuation
- ⊙ For attachment
- ⊙ Bake-out area
- ⊙ Differential pumping port

### Rectangular insert L-VAT



VAT Vakuumventile AG  
CH-9469 Haag, Switzerland  
Tel ++41 81 7716161 Fax ++41 81 7714830

Rev.-Date: 05.06.15  
Visa: KCL

Series	052	Ordering No.	05212-CA44-0001
Projection E	DN	Flange	C
Dimensional Drawing	50x336	Rev.	A
		474092	