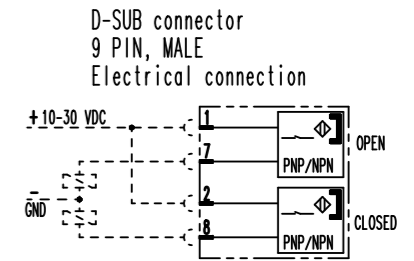
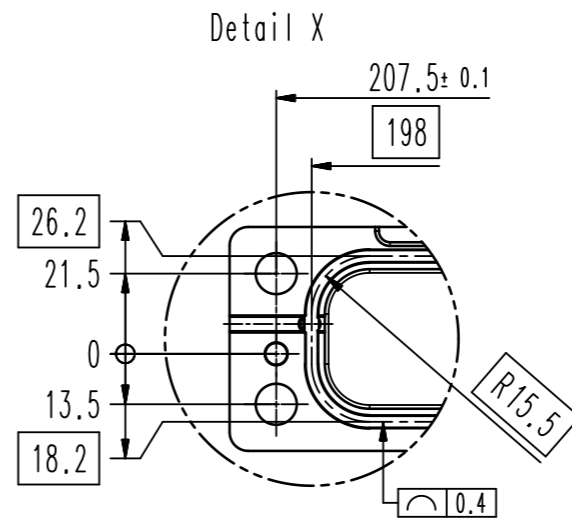
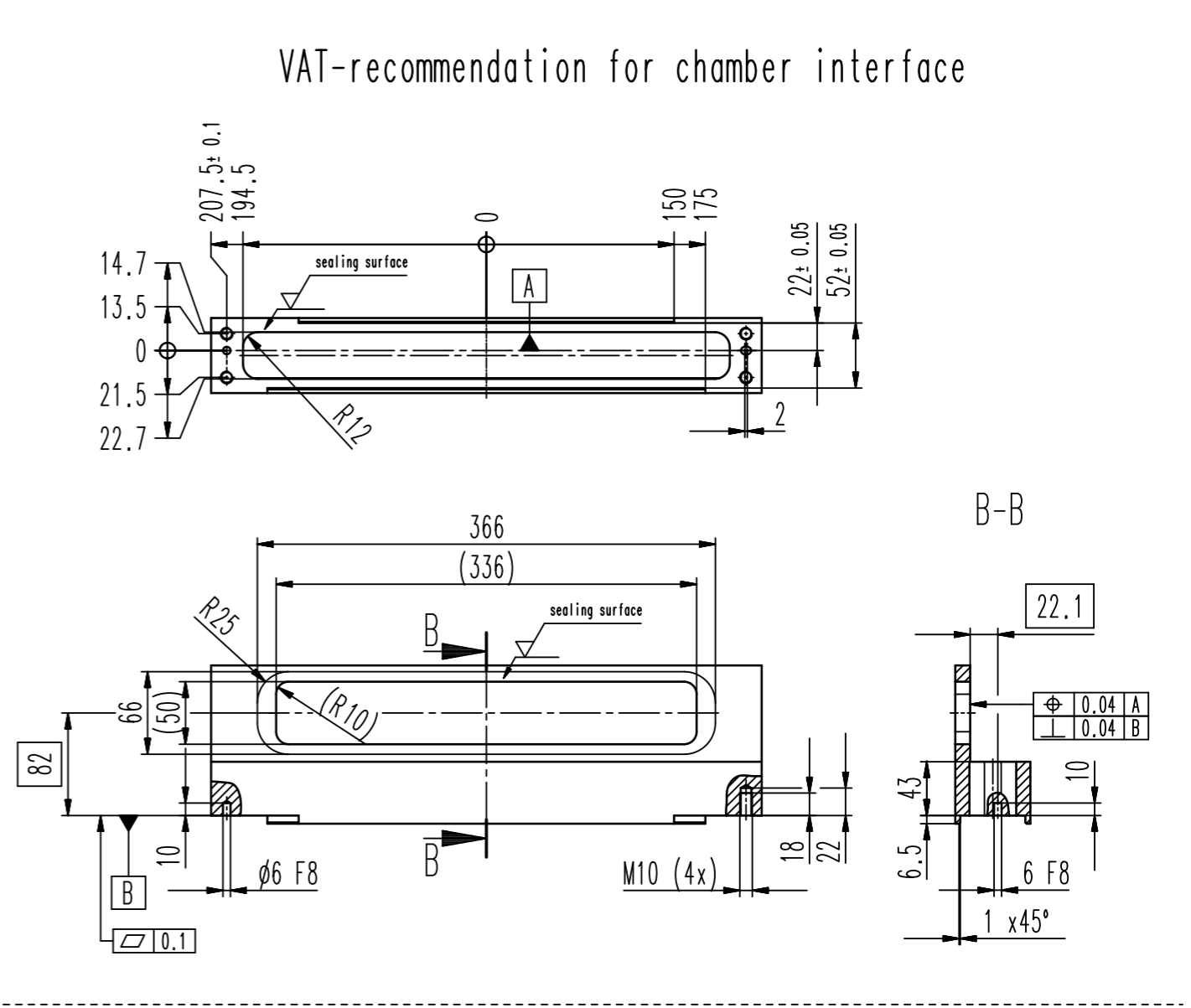
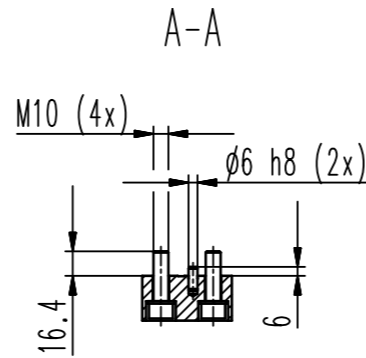
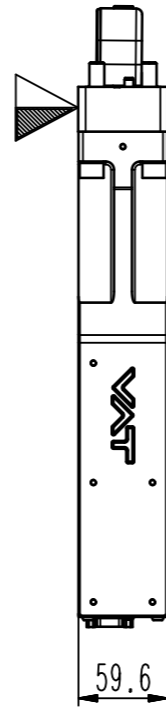


groove! (O-ring Nr. 275)
Dichtflaeche
sealing surface

- ▼ Seat side
- ⊙ Comp. air connection
- ⊙ Electrical connection
- ⊙ Leak detection port
- ⊙ Mech. pos. indication
- ⊙ Position indicator
- ⊙ Required for dismantling
- ⊙ Emergency actuation
- ⊙ For attachment
- ⊙ Bake-out area
- ⊙ Differential pumping port



Position Switch	Valve Open Position	Valve Closed Position
Lo	PIN 1-7	-
Lg	-	PIN 2-8

Rectangular insert L-VAT



VAT Vakuumentile AG
CH-9469 Haag, Switzerland
Tel ++41 81 7716161 Fax ++41 81 7714830

Date: 18.05.10
Name: HUB

Series	052	Ordering No.	05212-LA24-0001
Projection E	DN	Flange	L
Dimensional Drawing	50x336	Rev.	A

446370