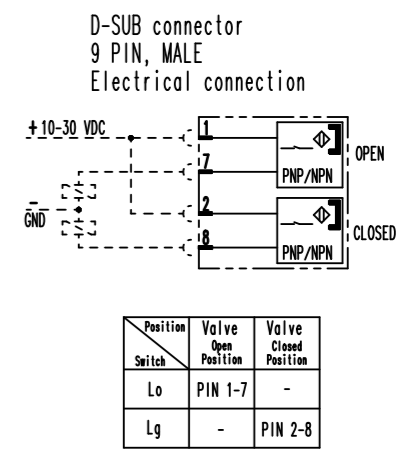
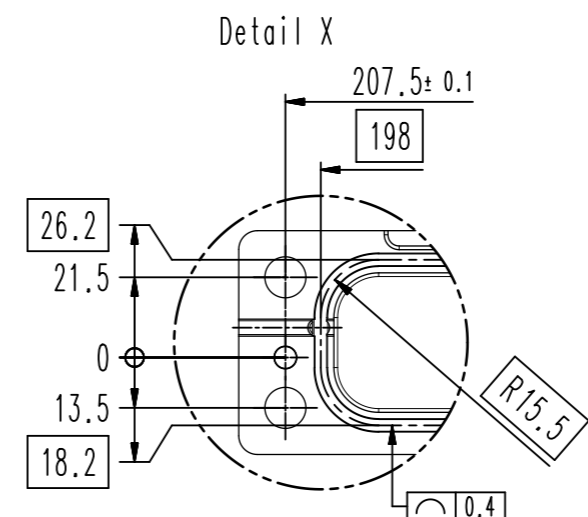
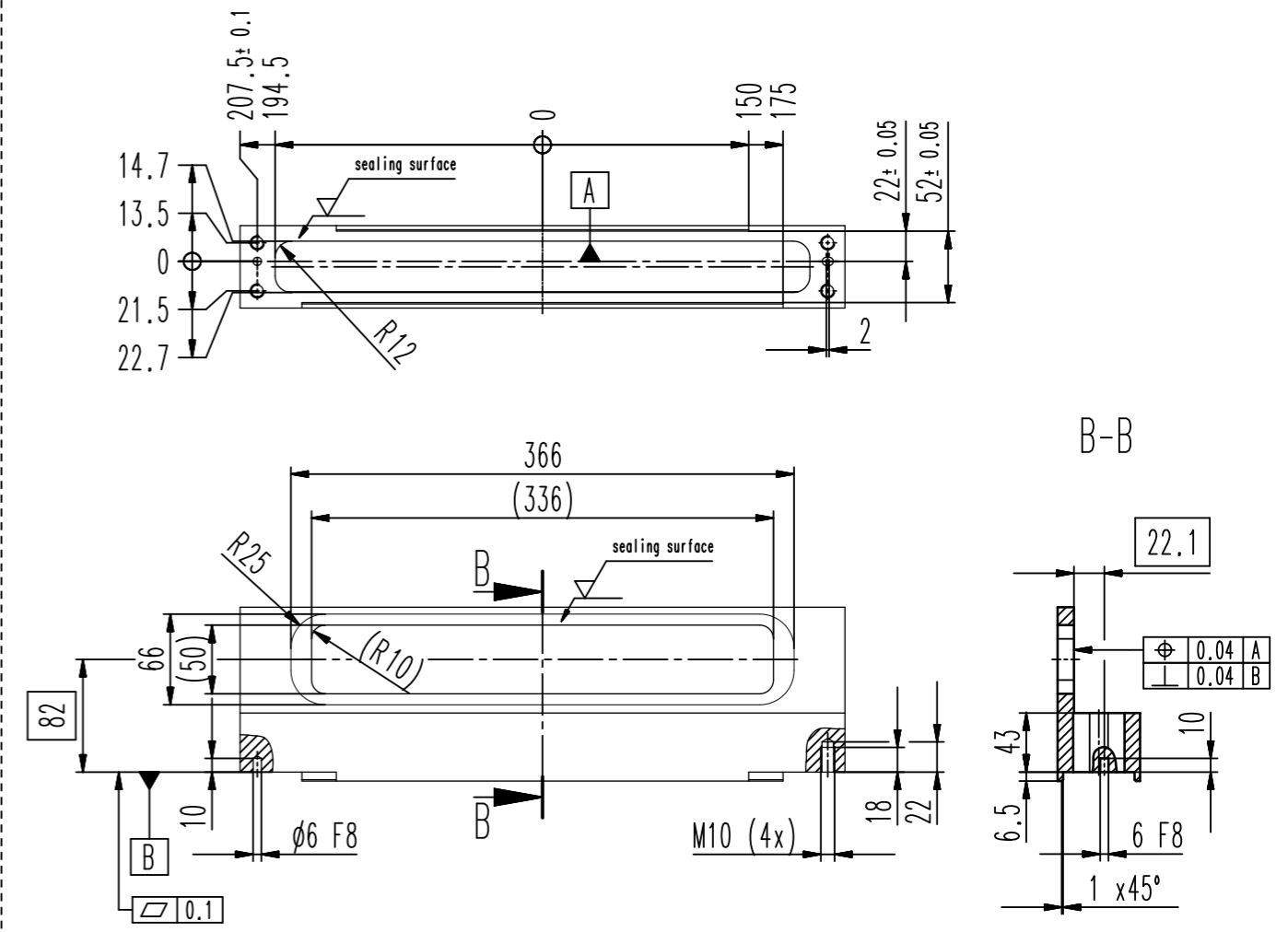


VAT-recommendation for chamber interface



groove! (O-ring Nr. 275)
Dichtflaeche
sealing surface

- ▼ Seat side
- ⊙ Comp. air connection
- ⊙ Electrical connection
- ⊙ Leak detection port
- ⊙ Mech. pos. indication
- ⊙ Position indicator
- ⊙ Required for dismantling
- ⊙ Emergency actuation
- ⊙ For attachment
- ⊙ Bake-out area
- ⊙ Differential pumping port

Rectangular insert L-VAT

VAT VAT Vakuumventile AG
CH-9469 Haag, Switzerland
Tel ++41 81 7716161 Fax ++41 81 7714830

Rev.-Date: 05.06.15
Visa: KCL

| | | | |
|---------------------|--------|--------------|-----------------|
| Series | 052 | Ordering No. | 05212-LA44-0001 |
| Projection E | DN | Flange | L |
| Dimensional Drawing | 50x336 | Rev. | B |