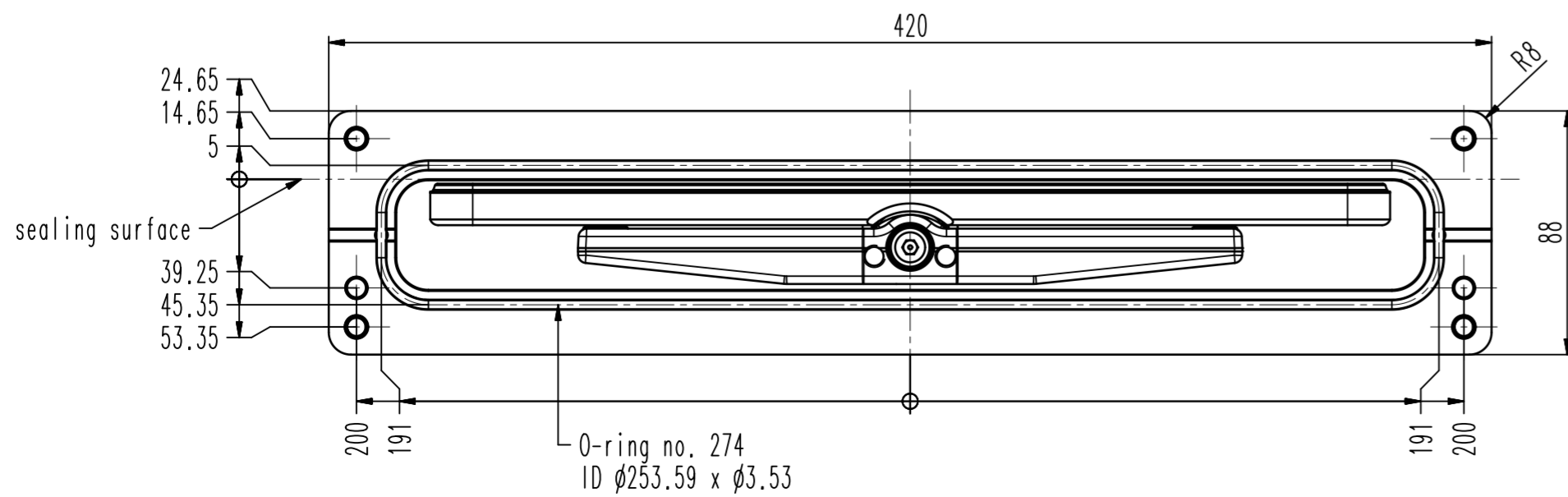
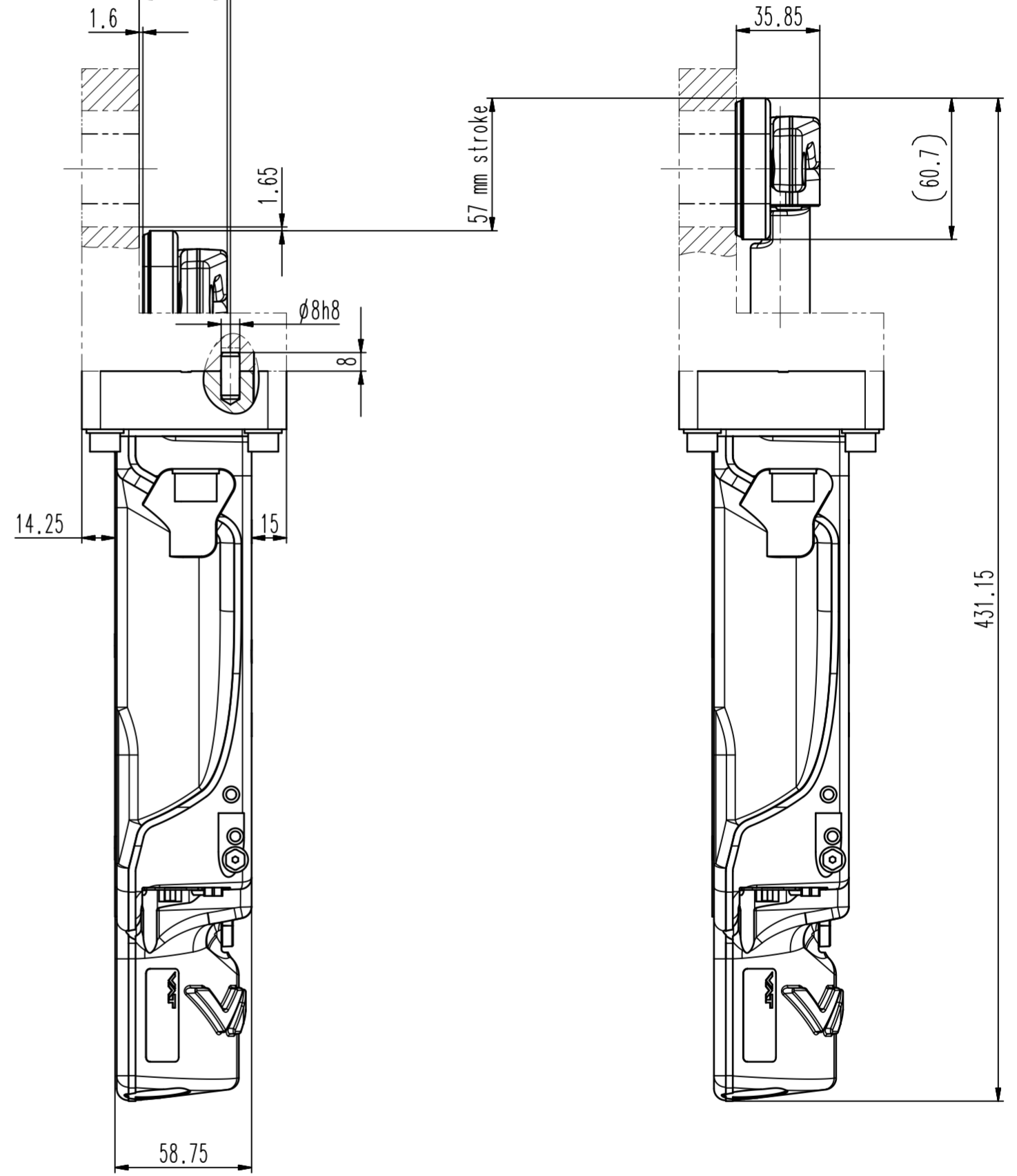


39.25
"center of positioning pins"
and "sealing surface"



3	OPEN/INTERMEDIATE		
1			
7			
8	CLOSED/INTERMEDIATE		
2			
4			
Valve/Ventil/Vanne			
	OPEN	INTERMEDIATE	CLOSED
1,7	connected	-	-
1,3	-	connected	connected
2,8	-	-	connected
2,4	connected	connected	-

Front view

- ▼ Seat side
- ⊕ Comp. air connection
- ⊖ Electrical connection
- ⊙ Leak detection port
- ⊙ Mech. pos. indication
- ⊙ Position indicator
- ⊙ Required for dismantling
- ⊙ Emergency actuation
- ⊙ For attachment
- ⊙ Bake-out area
- ⊙ Differential pumping port

Transfer insert L-MOTION



VAT Vakuumventile AG
CH-9469 Haag, Switzerland
Tel ++41 81 7716161 Fax ++41 81 7714830

Rev.-Date: 12.11.19
Visa: HUB

Series	053	Ordering No.	05312-LA24-0003
Projection E	DN	Flange	
	50x336		L
Dimensional Drawing	1005789	Rev.	