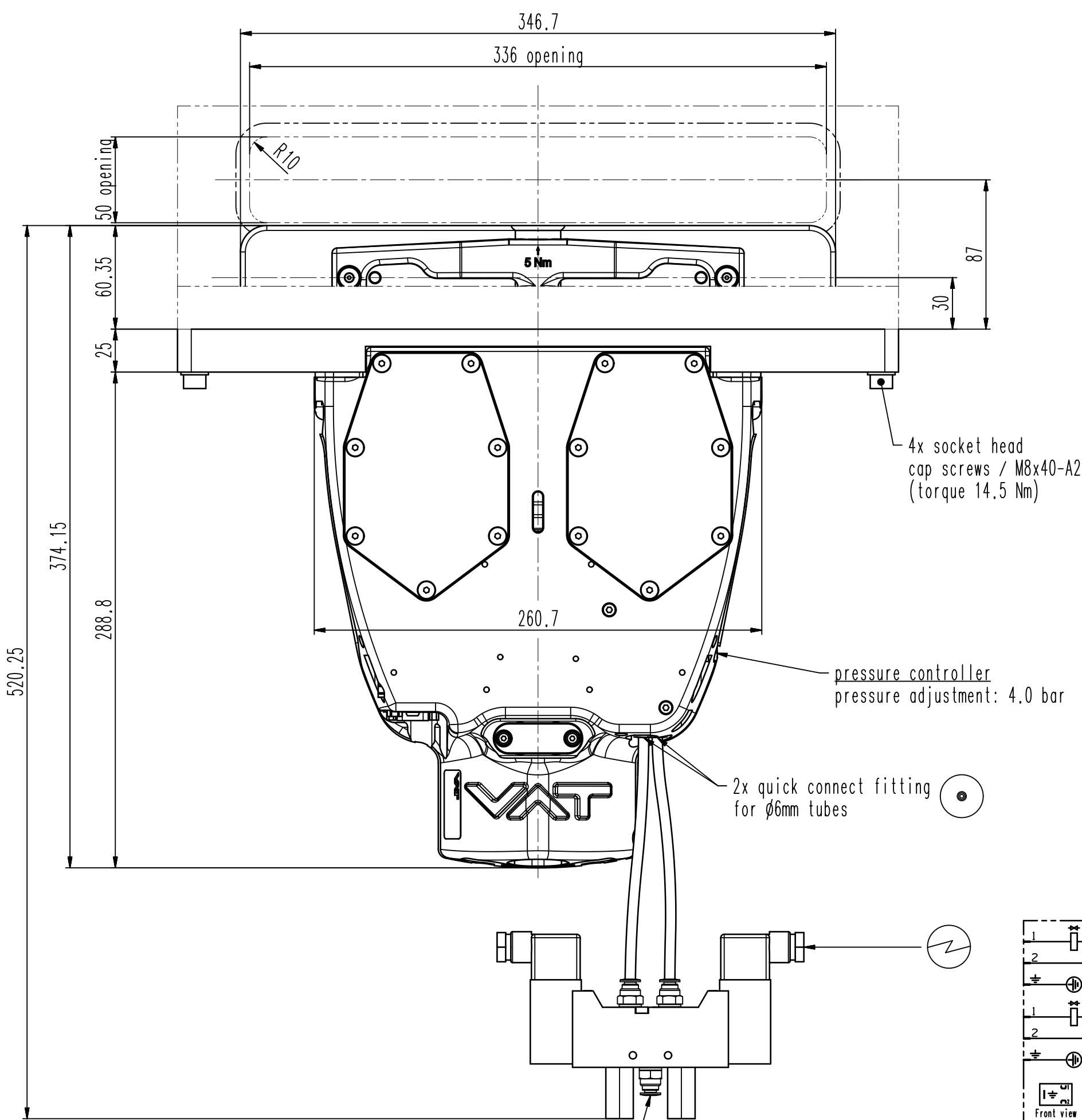
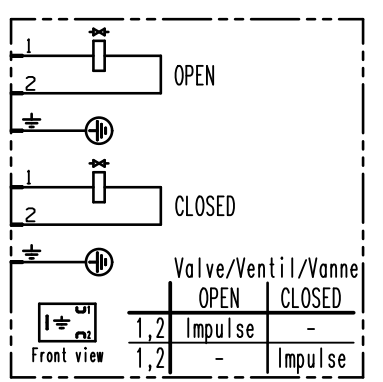
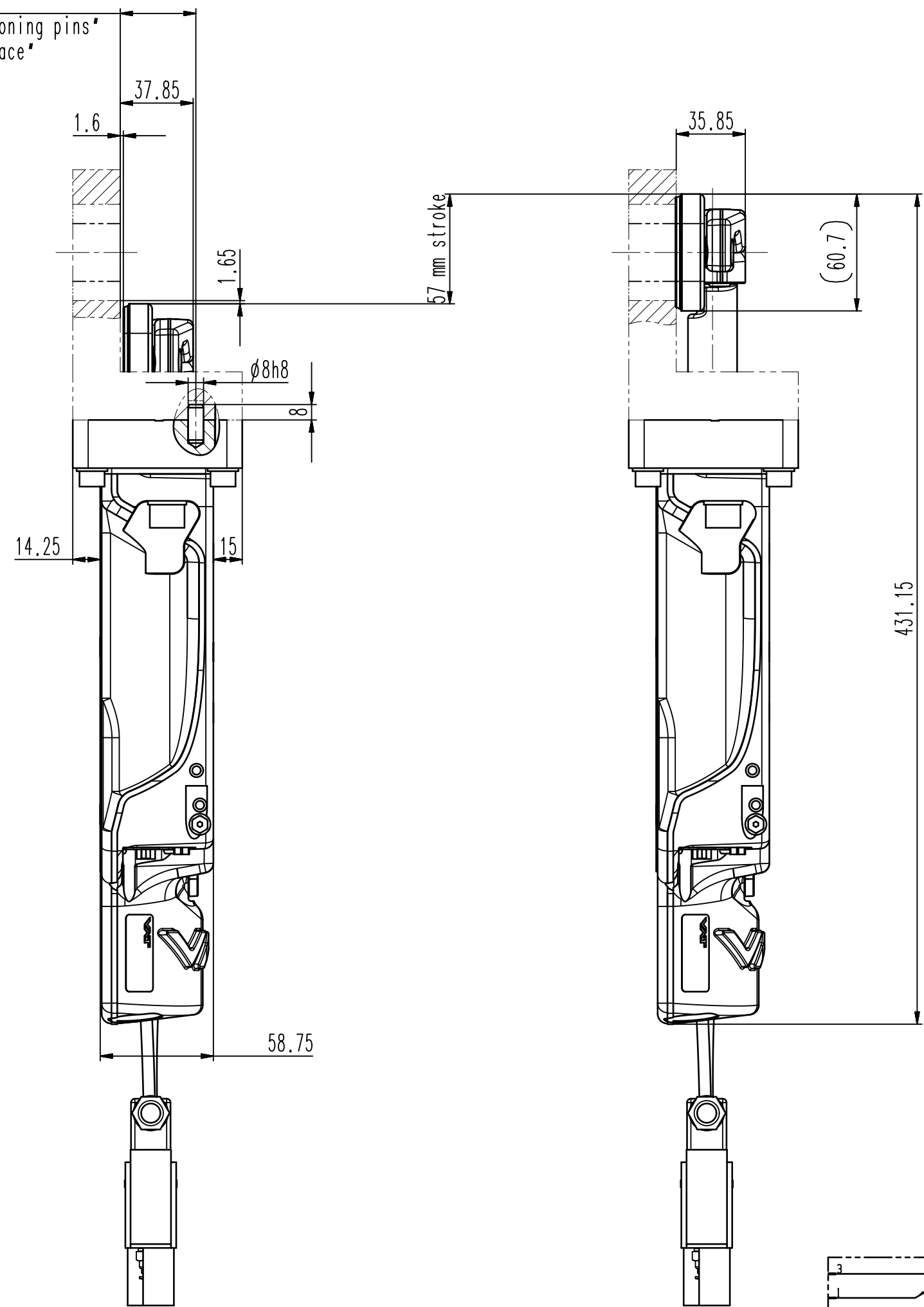


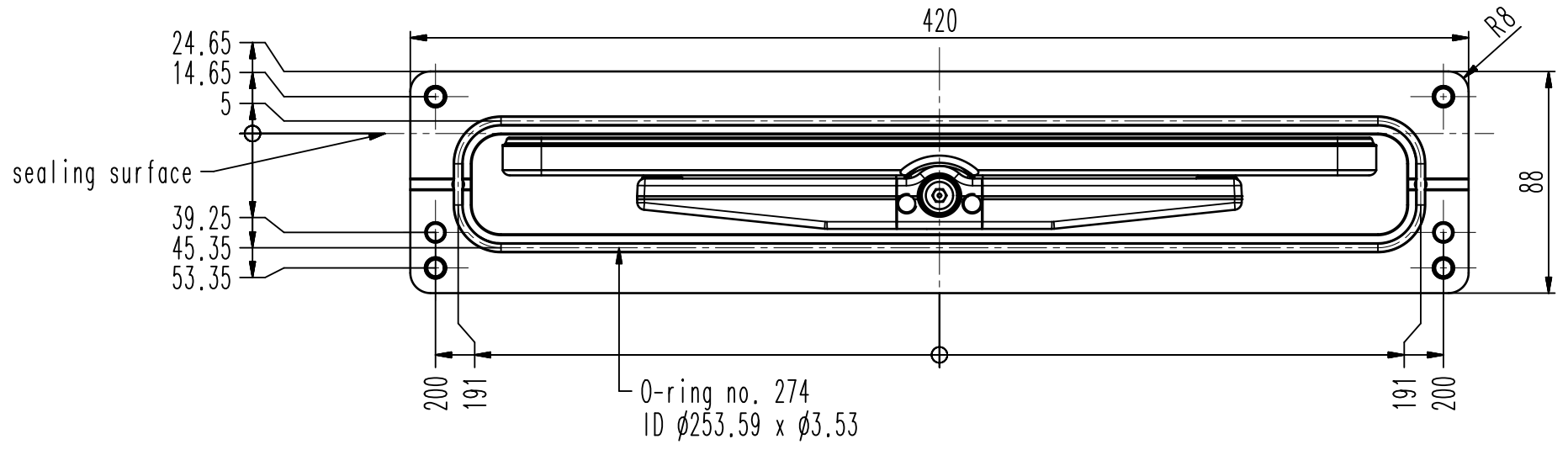
D-SUB connector
9 pin, male



39.25
"center of positioning pins"
and "sealing surface"



Front view	Valve/Ventil/Vanne		
	OPEN	INTERMEDIATE	CLOSED
1,7	connected	-	-
1,3	-	connected	connected
2,8	-	-	connected
2,4	connected	connected	-



- ▼ Seat side
- ⊕ Comp. air connection
- ⊕ Electrical connection
- ⊕ Leak detection port
- ⊕ Mech. pos. indication
- ⊕ Position indicator
- ⊕ Required for dismantling
- ⊕ Emergency actuation
- ⊕ For attachment
- ⊕ Bake-out area
- ⊕ Differential pumping port

Transfer insert L-MOTION



VAT Vakuumventile AG
CH-9469 Haag, Switzerland
Tel. ++41 81 7716161 Fax ++41 81 7714830

Rev.-Date: 13.11.19
Visa: LICH

Series	053	Ordering No.	05312-LA44-0003
Projection	E	DN	Flange
		50x336	L
Dimensional Drawing		1005995	Rev.