



VAT Vakuumventile AG
CH-9469 Haag, Schweiz

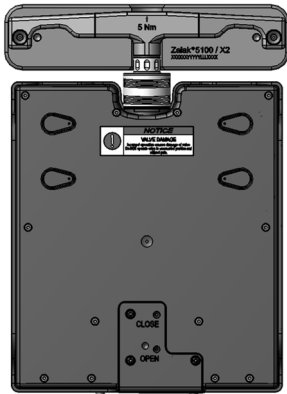
Product data sheet

ATM Door LINVAT

Series 070, DN 46x236 (1.81"x9.29")

Ordering No. 07010-UA24-0001

Description of Valve

	Actuator	L-MOTION Door Stroke: 57 mm Cylinder volume: 0.08 liters w/ position indicator w/ pneumatic lock in close position
	Gate	Size: 46 x 236mm Bonding: X2 Compound: Zalak®5100 Cleaning: Level 1 Shape: MonoVAT Packaging: Acc. to VAT standard
	Valve weight	~7.00 kg (~15.5 lbs)
	Final assembly	VAT standard, ISO class 8 clean room

Technical data

(at room temperature 25°C (unheated) and under clean environmental conditions, operated with standard actuation speed and standard compression)

LEAK RATES

Location	Sealing surface	Compound	O-Ring / Bonded	Leak rate
Seat	Bare aluminum	Zalak®5100	Bonded	$< 1 \cdot 10^{-7}$ mbar ls ⁻¹

PRESSURE RANGES

Bare aluminum	$1 \cdot 10^{-9}$ mbar to 1.1 bar (abs)
Differential pressure on the gate in closing direction	≤ 1.0 bar
Differential pressure on the gate in opening direction	≤ 0.1 bar
Differential pressure at opening	≤ 30 mbar

CYCLE LIFE (between maintenance)

Actuator (pneumatic and mechanical parts)	3 million (MCBF)
---	------------------

OPERATING TEMPERATURE

Valve seat / gate	≤ 120 °C
Actuator	≤ 80 °C
Temperature difference between seat and gate	≤ 40 °C
Heating and cooling rate	≤ 40 °C h ⁻¹

MOUNTING POSITION

Actuator downwards or upwards

Created by: PRA	Release date: 15.04.2019	1/3
Modified by:	Release date:	977575EA



VAT Vakuumventile AG
CH-9469 Haag, Schweiz

Product data sheet

ATM Door LINVAT

Series 070, DN 46x236 (1.81"x9.29")

Ordering No. 07010-UA24-0001

MATERIALS

Actuator body	EN AW-6061
Actuator cover	ABS
Gate	EN AW-6082, EN AW-6061
Shaft	AISI 304 (1.4301)
Protection bellows	Teflon
Screws	A4, A2

COMPRESSED AIR SUPPLY (use only clean, dry or slightly oiled air)

Compressed air pressure	4 - 6 bar / 58 - 88 PSI (overpressure) **
Compressed air connections	O.D. 4mm quick connector

ACTUATION TIME (Valid for flow rate min. 600SLPM, tube length <2m)

Opening	< 1 sec
Closing	< 1 sec

ACTION AT COMPRESSED AIR FAILURE

Valve closed	Valve remains closed (>3h)
Valve open	Undefined or check valve optionally
During actuation	undefined

Created by: PRA	Release date: 15.04.2019	2/3
Modified by:	Release date:	977575EA



VAT Vakuumventile AG
CH-9469 Haag, Schweiz

Product data sheet

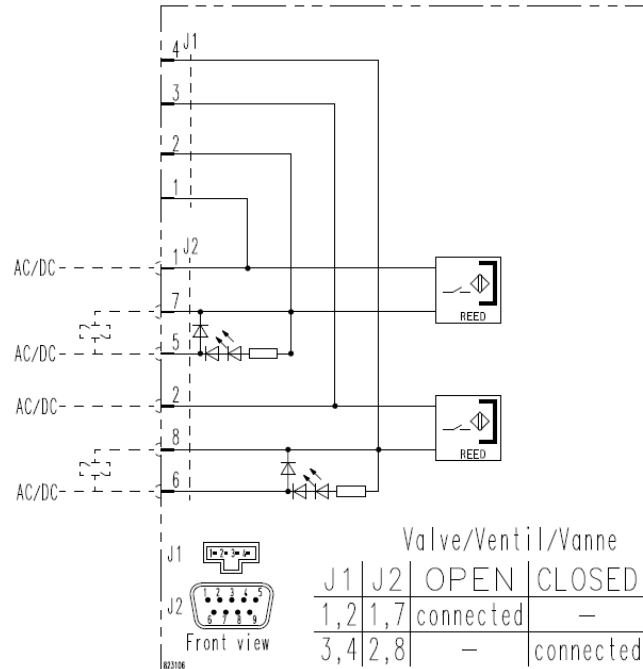
ATM Door LINVAT

Series 070, DN 46x236 (1.81"x9.29")

Ordering No. 07010-UA24-0001

ELECTRICAL CONNECTION

Electrical diagram
Logical diagram



Sensor type	Reed switch
Voltage	≤ 50V AC/DC
Current max.	≤ 0.1A , >5mA
Temperature rating	≤ 80 °C
Overcurrent protection	No
Type of connector	9 pin / 4 pin, male

PARE PARTS

Actuator Kit	VAT P/N 1060931
Gate Kit	VAT P/N 917400



IMPORTANT NOTE:

In order to ensure proper function of the product, the following instructions must be followed.

- Product must not be operated if compressed air supply pressure is < 4 bar

Installation

Leave the product sealed in the plastic bag as long as possible in order to protect it from dust and particles. The seat and seals must not be cleaned before installation. The valve is assembled at VAT in a clean environment and sealed in a plastic bag.

Created by: PRA	Release date: 15.04.2019	3/3
Modified by:	Release date:	977575EA