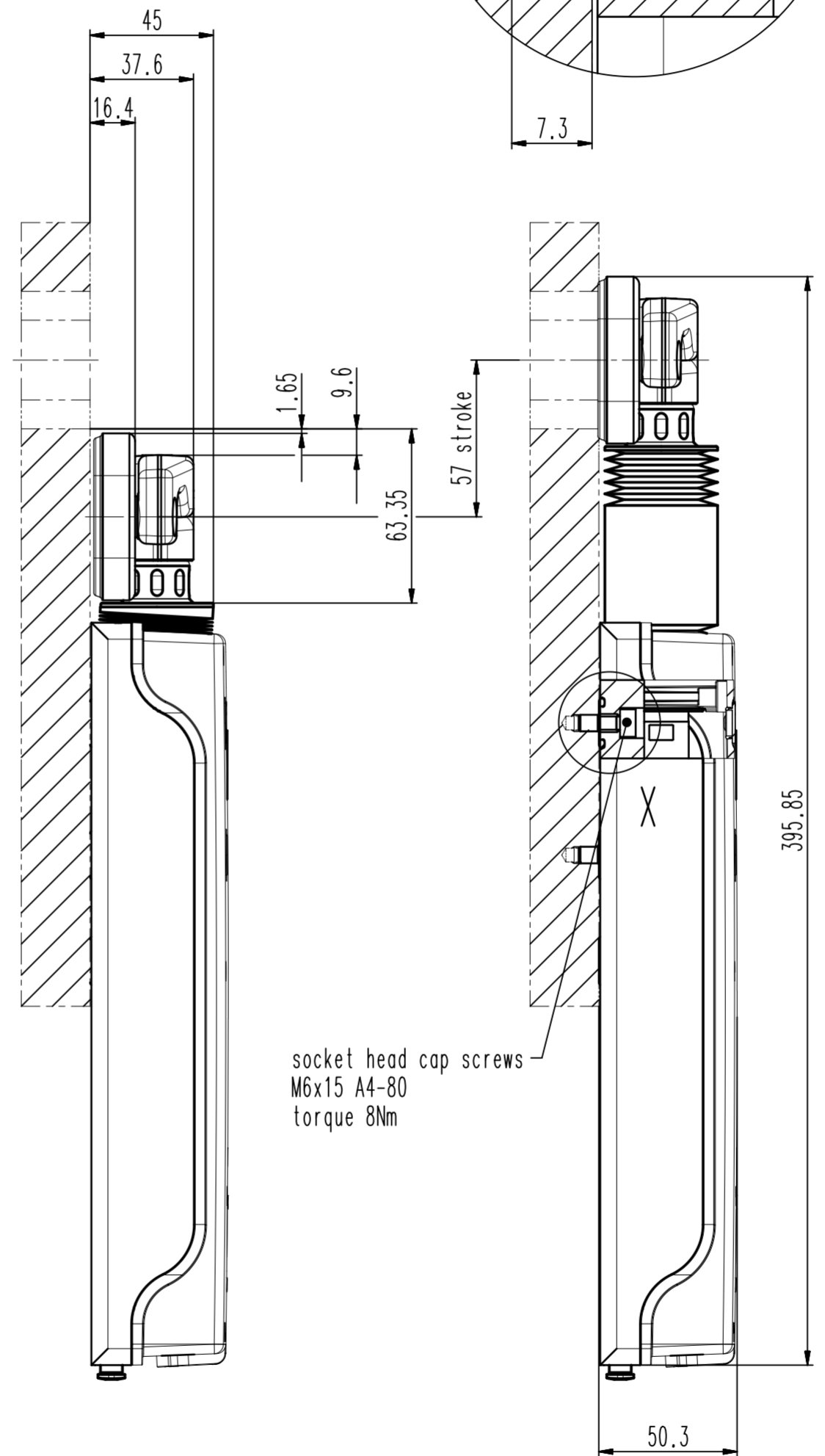
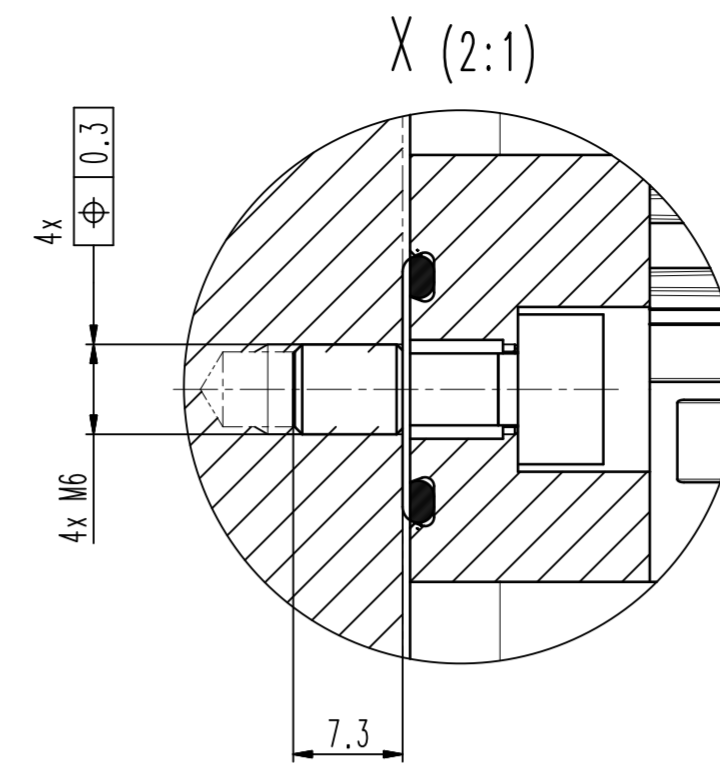
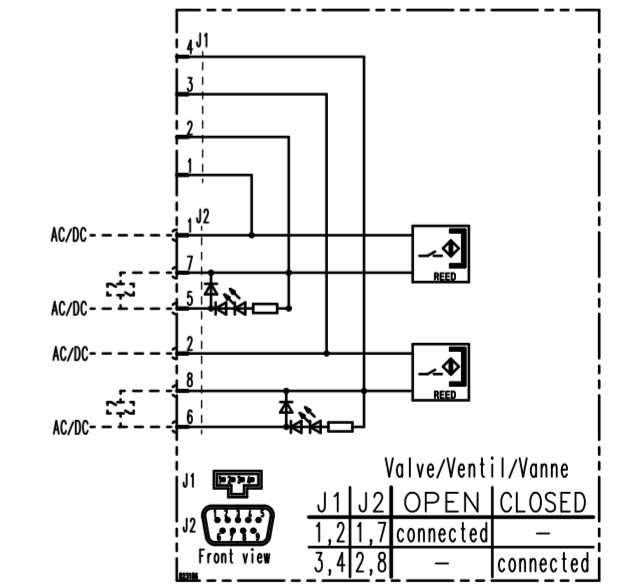
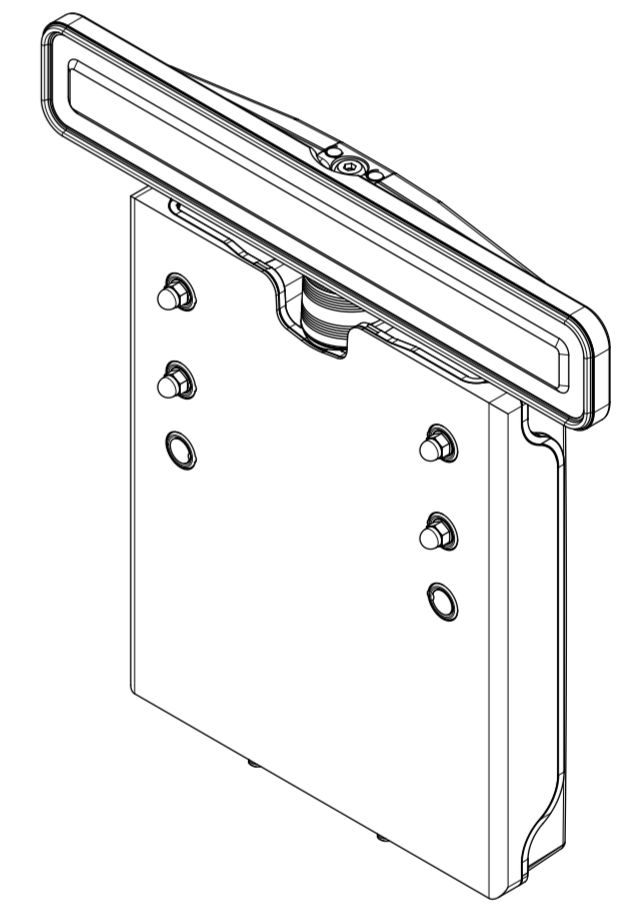
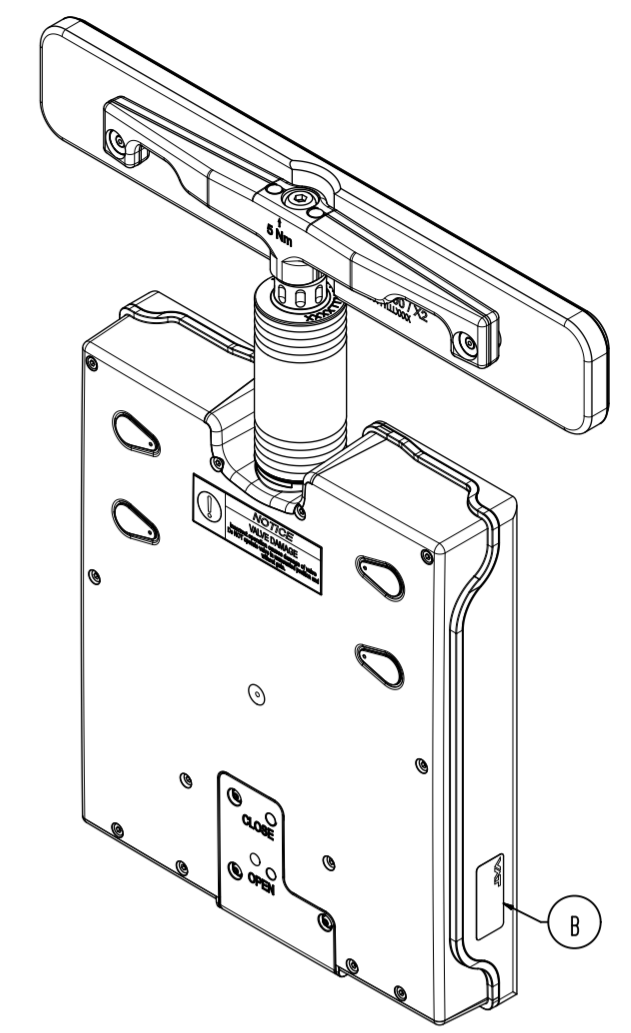


NOTICE
VALVE DAMAGE
 Incorrect operation causes damage of valve.
 Do NOT operate valve in unoperated position and without gas.



socket head cap screws
 M6x15 A4-80
 torque 8Nm



Revision	
Customer number	

- ▼ Seat side
- ⊙ Comp. air connection
- ⊙ Electrical connection
- ⊙ Leak detection port
- ⊙ Mech. pos. indication
- ⊙ Position indicator
- ⊙ Required for dismantling
- ⊙ Emergency actuation
- ⊙ For attachment
- ⊙ Bake-out area
- ⊙ Differential pumping port

ATM Door LINVAT



VAT Vakuumventile AG
 CH-9469 Haag, Switzerland
 Tel. ++41 81 7716161 Fax ++41 81 7714830

Rev.-Date: 12.05.20
 Visa: SPA

Series	070	Ordering No.	07012-UA24-0001
Projection E	DN	Flange	U
Dimensional Drawing	50x336	Rev.	A
	921102		