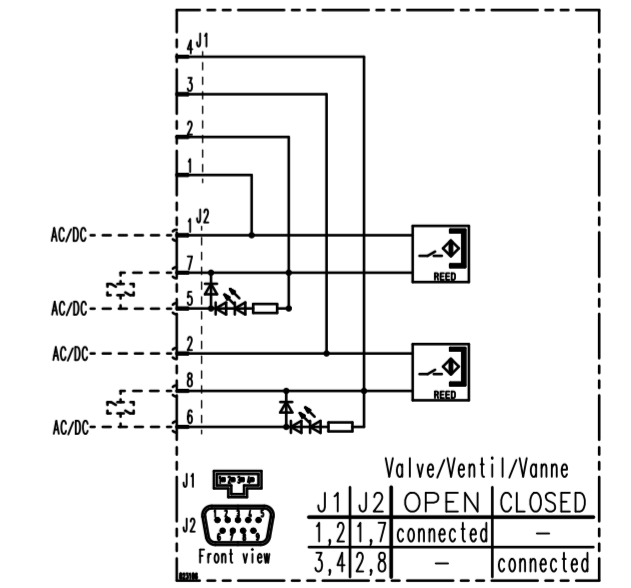
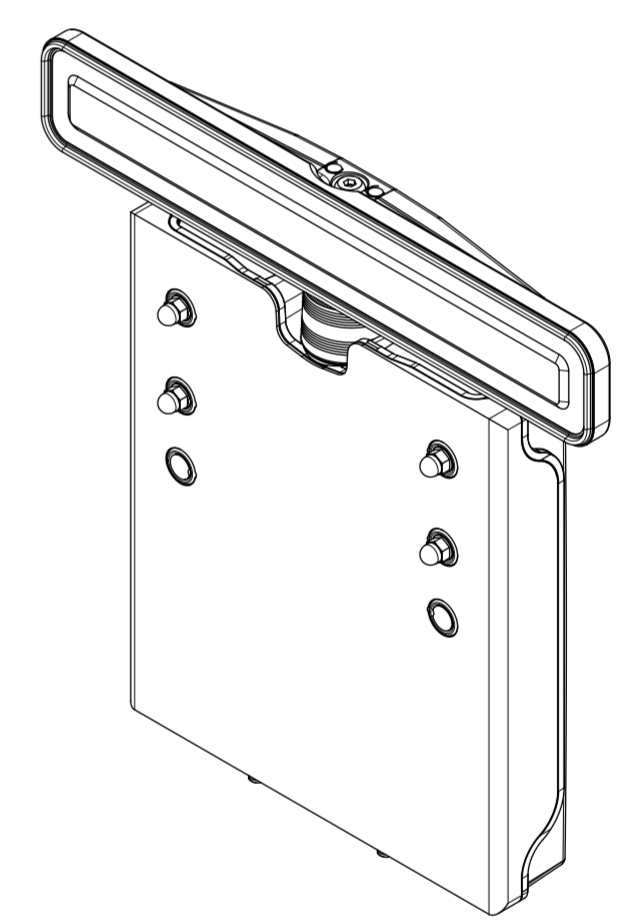
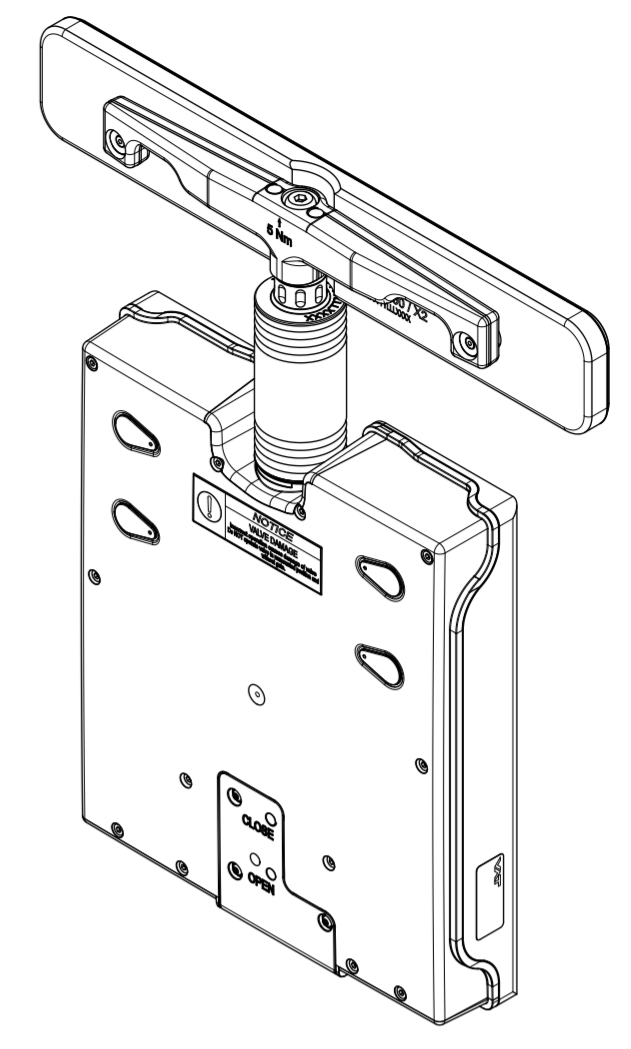
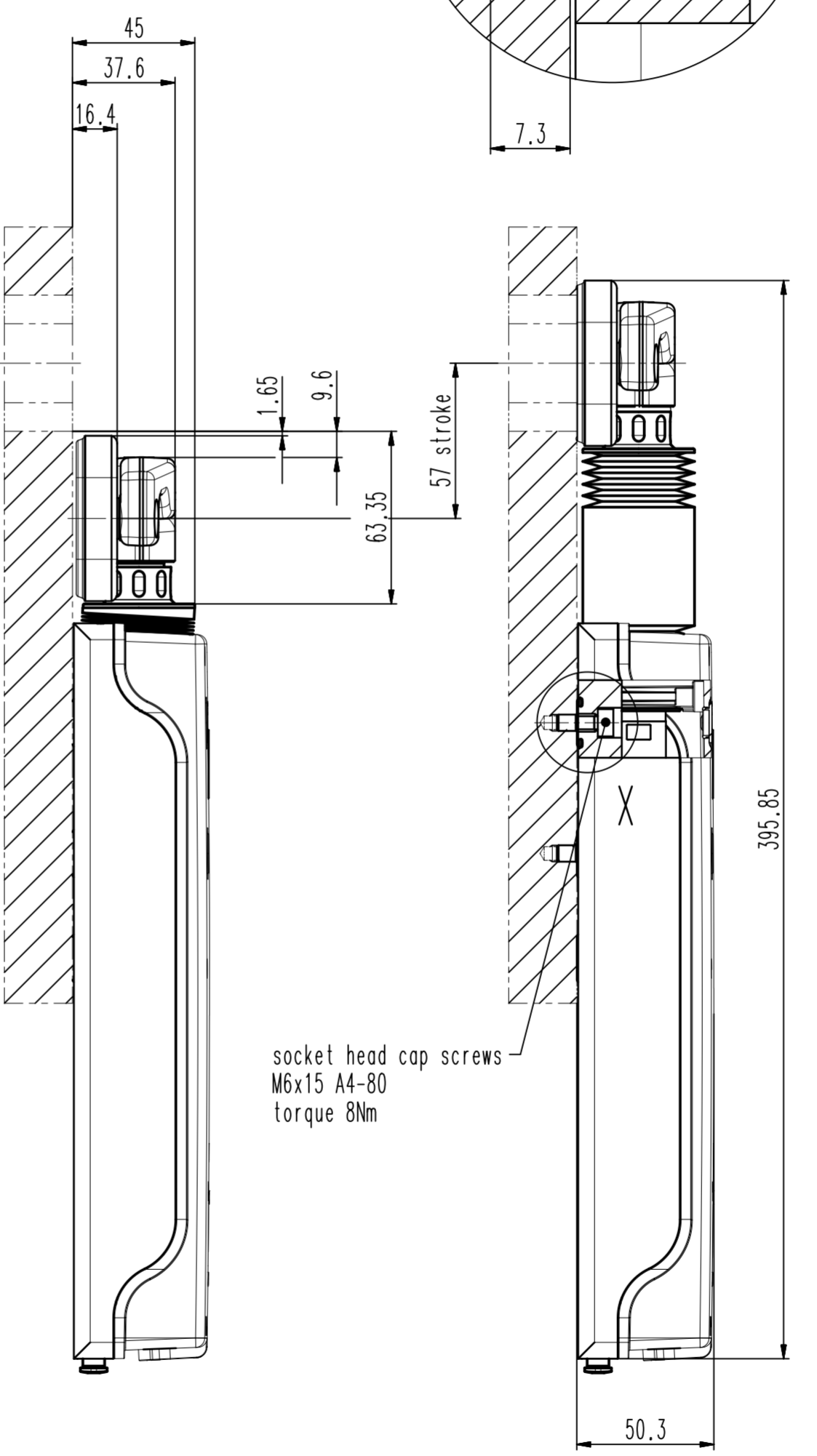
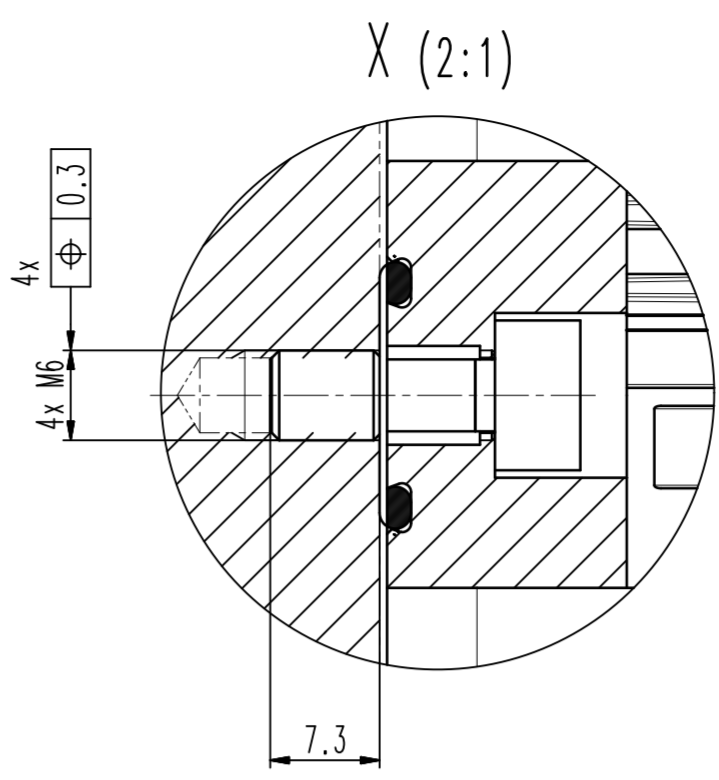
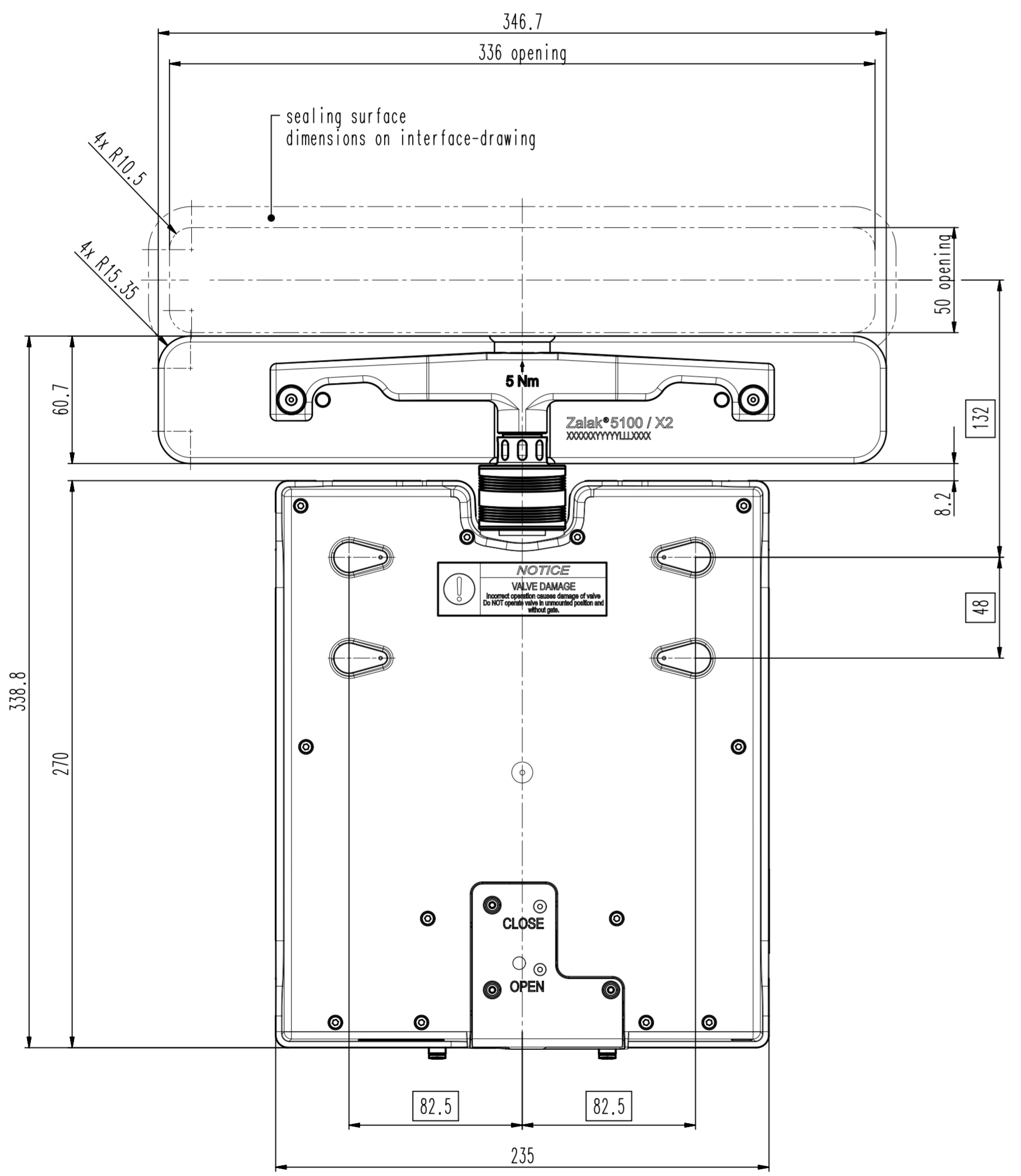


remove all four cap nuts prior to installation to chamber

2x quick connect fitting for $\varnothing 4\text{mm}$ tubes 4-6 bar



Revision
Customer number

- ▼ Seat side
- ⊙ Comp. air connection
- ⊙ Electrical connection
- ⊙ Leak detection port
- ⊙ Mech. pos. indication
- ⊙ Position indicator
- ⊙ Required for dismantling
- ⊙ Emergency actuation
- ⊙ For attachment
- ⊙ Bake-out area
- ⊙ Differential pumping port

ATM Door LINVAT



VAT Vakuumventile AG
 CH-9469 Haag, Switzerland
 Tel. ++41 81 7716161 Fax ++41 81 7714830

Rev.-Date: 10.06.20
 Visa: SPA

Series	070	Ordering No.	07012-UH24-0001
Projection	E	DN	Flange
Dimensional Drawing	50x336		U
	1042639		Rev.