



VAT Vakuumventile AG  
CH-9469 Haag, Schweiz

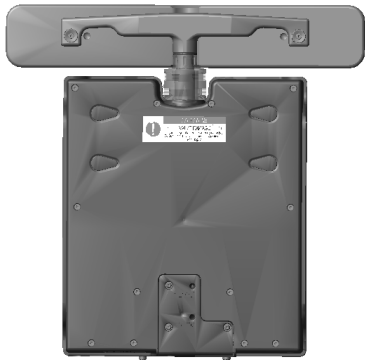
## Product data sheet

### ATM Door LINVAT

Series 070, DN 35x336 (1.38"x13.23")

Ordering No. 07014-UA24-0001

## Description of Valve

	<b>Actuator</b>	<b>L-MOTION Door</b> Stroke: 57 mm Cylinder volume: 0.08 liters w/ position indicator w/ pneumatic lock in close position
	<b>Gate</b>	<b>Size: 35 x 336mm</b> Bonding: X2 Compound: Zalak®5100 Cleaning: level 1 Shape: MonoVAT Packaging: acc. to VAT standard
	<b>Valve weight</b>	~7.0 kg (~15.5 lbs)
	<b>Final assembly</b>	VAT standard, ISO class 8 clean room

## Technical data

(at room temperature 25°C (unheated) and under clean environmental conditions, operated with standard actuation speed and standard compression)

### LEAK RATES

Location	Sealing surface	Compound	O-Ring / Bonded	Leak rate
Seat	Bare aluminum	Zalak®5100	Bonded	$< 1 \cdot 10^{-7}$ mbar ls <sup>-1</sup>

### PRESSURE RANGES

Bare aluminum	$1 \cdot 10^{-9}$ mbar to 1.1 bar (abs)
Differential pressure on the gate in closing direction	$\leq 1.0$ bar
Differential pressure on the gate in opening direction	$\leq 0.1$ bar
Differential pressure at opening	$\leq 30$ mbar

### CYCLE LIFE (between maintenance)

Actuator (pneumatic and mechanical parts)	3 million (MCFB)
---	------------------

### OPERATING TEMPERATURE

Valve seat / gate	$\leq 120$ °C
Actuator	$\leq 80$ °C
Temperature difference between seat and gate	$\leq 40$ °C
Heating and cooling rate	$\leq 40$ °C h <sup>-1</sup>

### MOUNTING POSITION

Actuator downwards or upwards
-------------------------------

Created by: BRA	Release date: 20.01.2020	1/3
Modified by:	Release date:	<b>1013161EA</b>



VAT Vakuumventile AG  
CH-9469 Haag, Schweiz

## Product data sheet

### ATM Door LINVAT

Series 070, DN 35x336 (1.38"x13.23")

Ordering No. 07014-UA24-0001

#### MATERIALS

Actuator body	EN AW-6061
Actuator cover	ABS
Gate	EN AW-6082, EN AW-6061
Shaft	AISI 304 (1.4301)
Protection bellows	Teflon
Screws	A4, A2

#### COMPRESSED AIR SUPPLY (use only clean, dry or slightly oiled air)

Compressed air pressure	4 - 6 bar / 58 - 88 PSI (overpressure) **
Compressed air connections	O.D. 4mm quick connector

#### ACTUATION TIME (Valid for flow rate min. 600SLPM, tube length <2m)

Opening	< 1 sec
Closing	< 1 sec

#### ACTION AT COMPRESSED AIR FAILURE

Valve closed	Valve remains closed (>3h)
Valve open	Undefined or check valve optionally
During actuation	undefined

Created by: BRA	Release date: 20.01.2020	2/3
Modified by:	Release date:	<b>1013161EA</b>



VAT Vakuumentile AG  
CH-9469 Haag, Schweiz

## Product data sheet

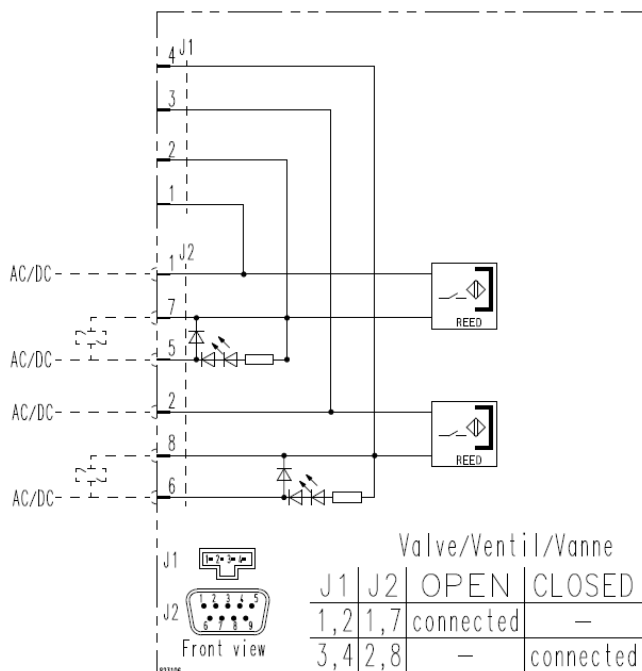
### ATM Door LINVAT

Series 070, DN 35x336 (1.38"x13.23")

Ordering No. 07014-UA24-0001

## ELECTRICAL CONNECTION

Electrical diagram  
Logical diagram



Sensor type	Reed switch
Voltage	≤ 50V AC/DC
Current max.	≤ 0.1A , >5mA
Temperature rating	≤ 80 °C
Overcurrent protection	No
Type of connector	9 pin / 4 pin, male

## PARE PARTS

Actuator Kit	VAT P/N 941870
Gate Kit	VAT P/N 779499

**\*\*)** In order to maximize the life time of the gate, locking pressure should be set as low as possible, but not so low to produce an unacceptable leak rate in the closed position. Due to length of the sealing line (size of gate), tolerances of sealing lip, accuracy of the measurement and the requested leak rate the locking pressure settings might deviate slightly from the recommended pressure range.



### IMPORTANT NOTE:

In order to ensure proper function of the product, the following instructions must be followed.

- Product must not be operated if compressed air supply pressure is < 4 bar

## Installation

Leave the product sealed in the plastic bag as long as possible in order to protect it from dust and particles. The seat and seals must not be cleaned before installation. The valve is assembled at VAT in a clean environment and sealed in a plastic bag.

Created by: BRA	Release date: 20.01.2020	3/3
Modified by:	Release date:	<b>1013161EA</b>