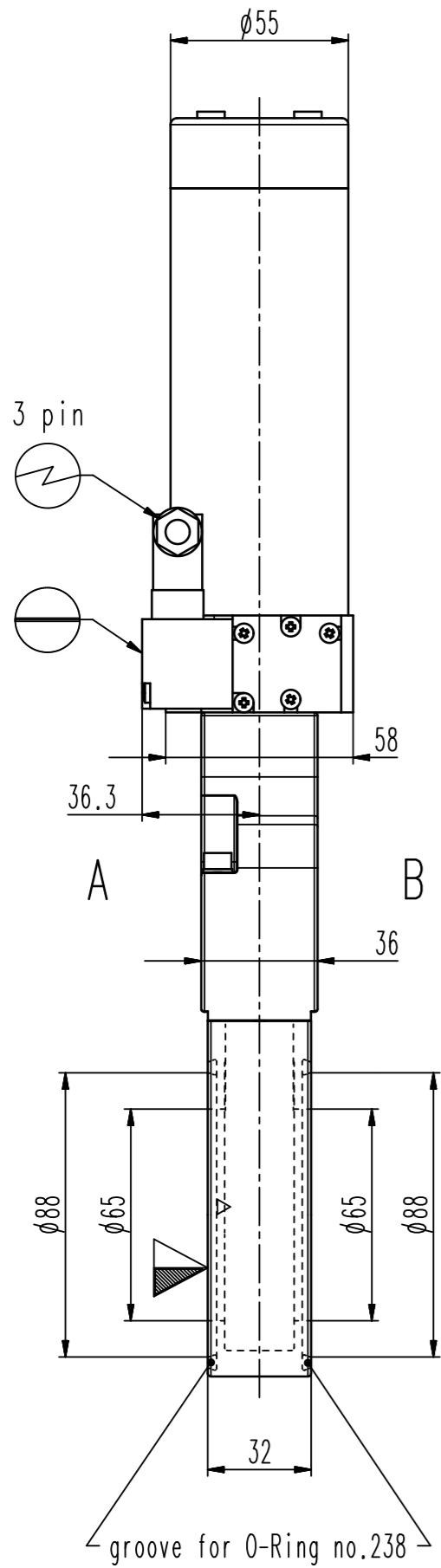


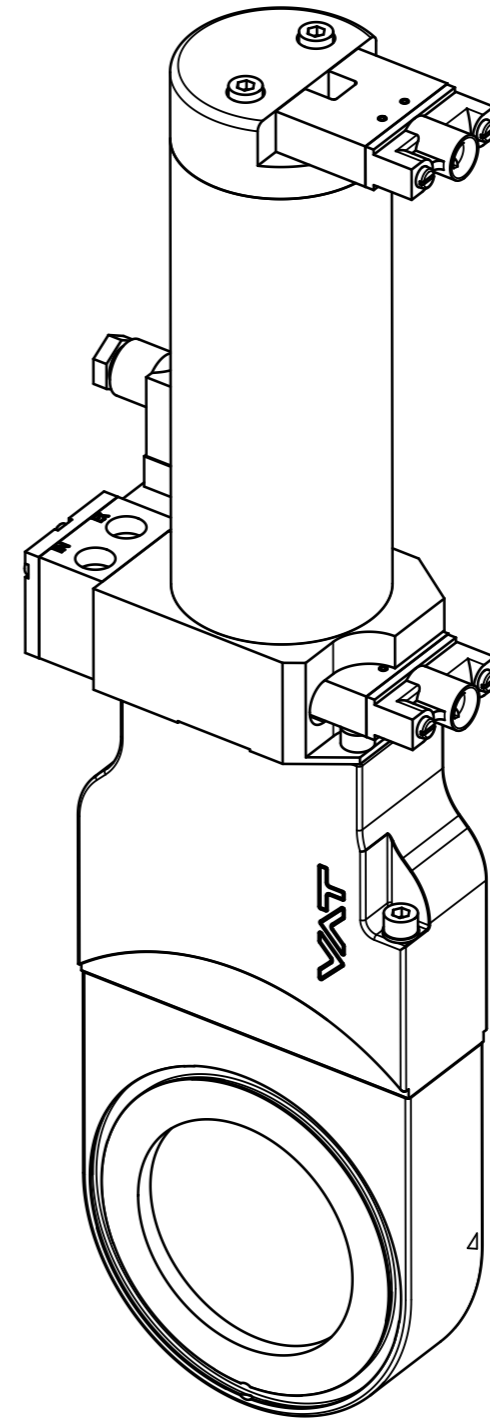
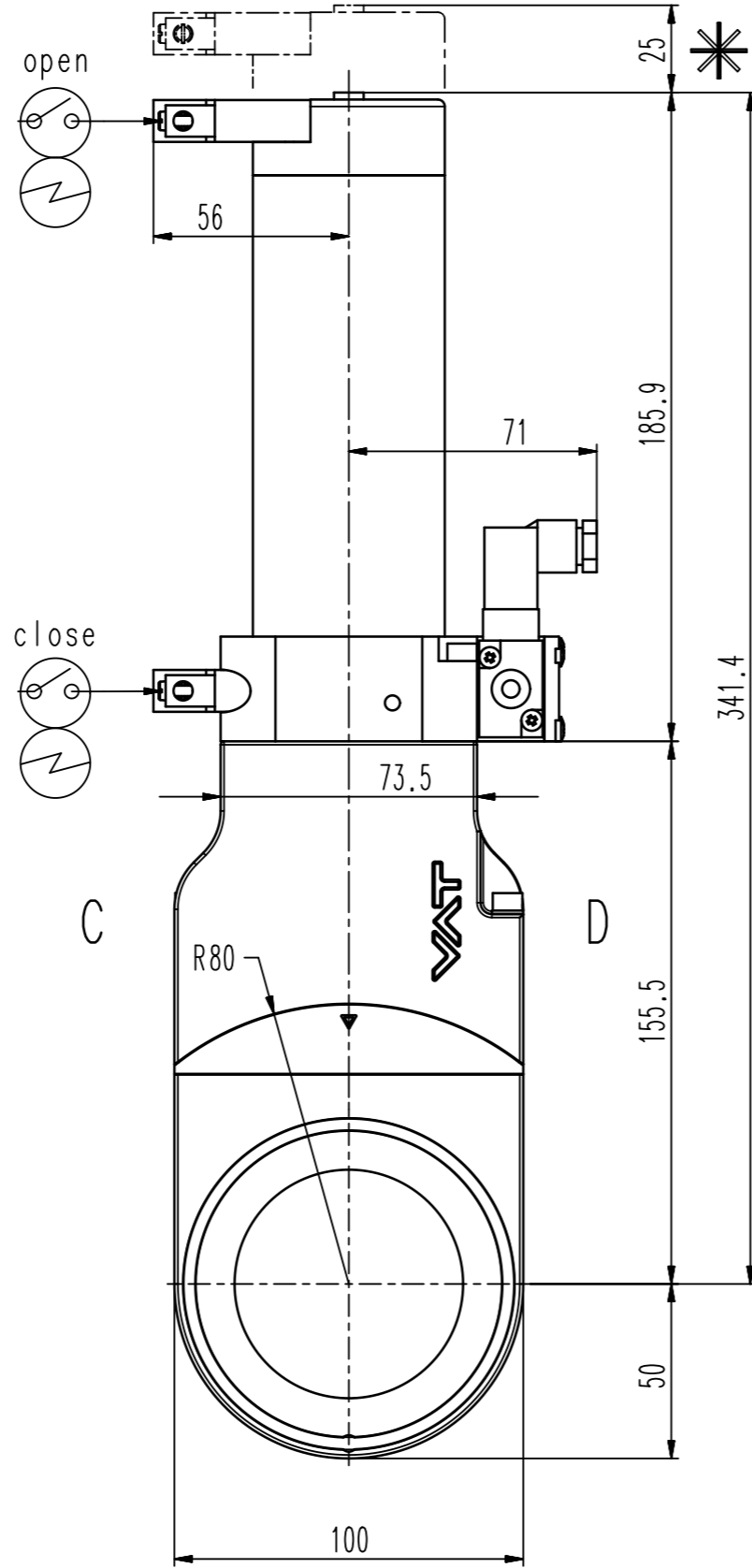
This drawing is the property of VAT.

Revision

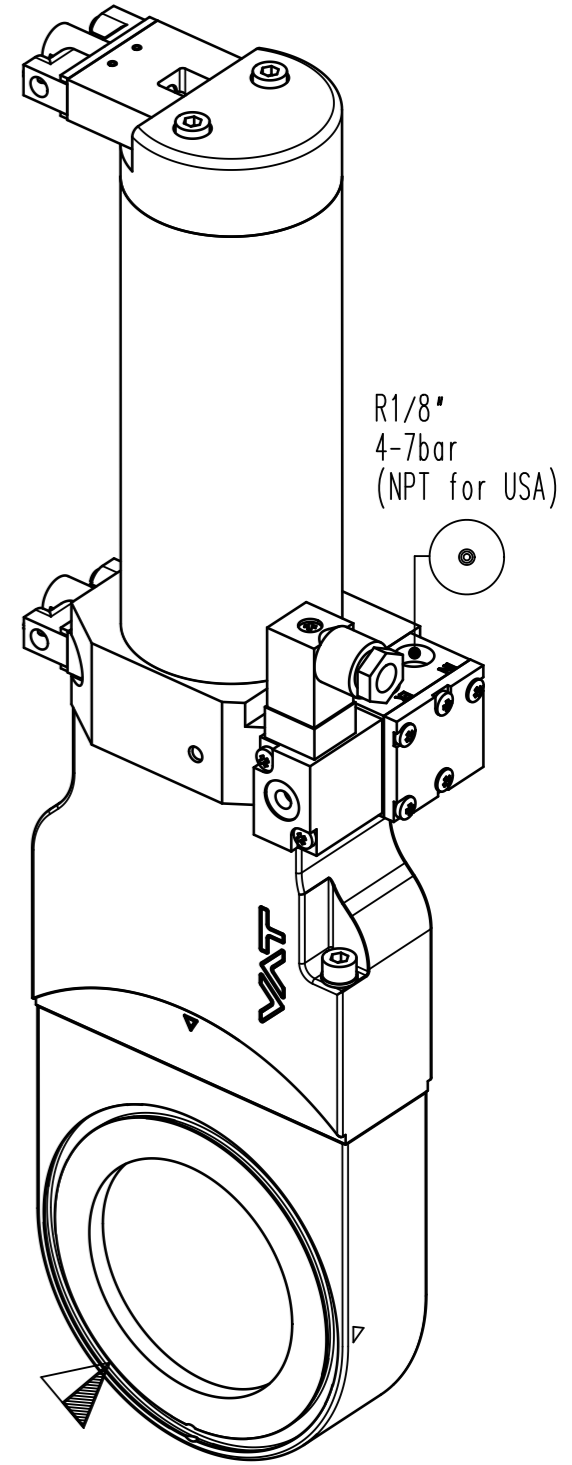
Customer number



D-side



B-side



A(seat)-side

- ▼ Seat side
- ⊙ Comp. air connection
- ⊙ Electrical connection
- ⊙ Leak detection port
- ⊙ Mech. pos. indication
- ⊙ Position indicator
- ⊙ Required for dismantling
- ⊙ Emergency actuation
- ⊙ For attachment
- ⊙ Bake-out area
- ⊙ Differential pumping port

Vacuum gate valve



VAT Vakuumventile AG
 CH-9469 Haag, Switzerland
 Tel ++41 81 7716161 Fax ++41 81 7714830

Date: 01.09.04
 Name: DOC

| | | |
|---------------------|-----------------|----------|
| Series | Ordering No. | |
| 081 | 08136-FA44-0001 | |
| Projection E | DN | Flange |
| | 63 | DIN-Ans. |
| Dimensional Drawing | 253899 | Rev. |