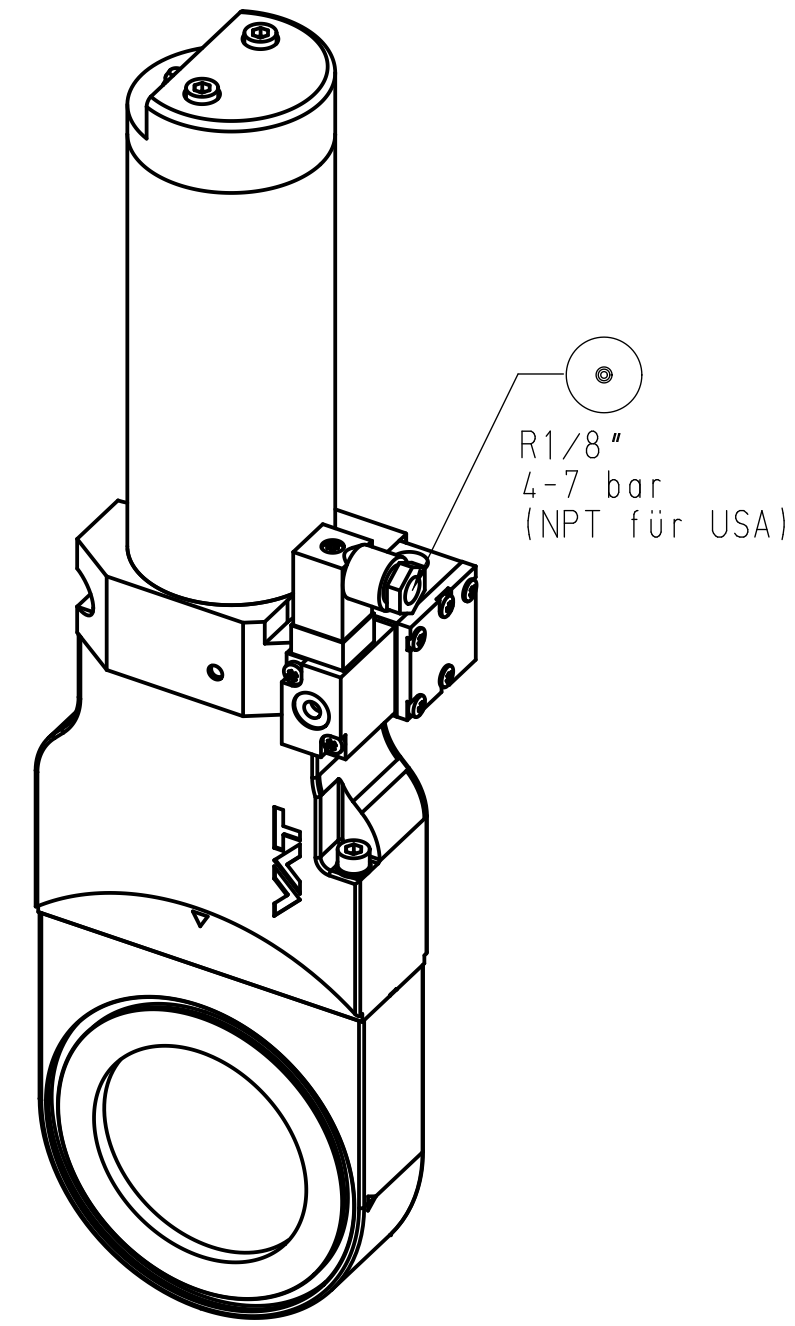
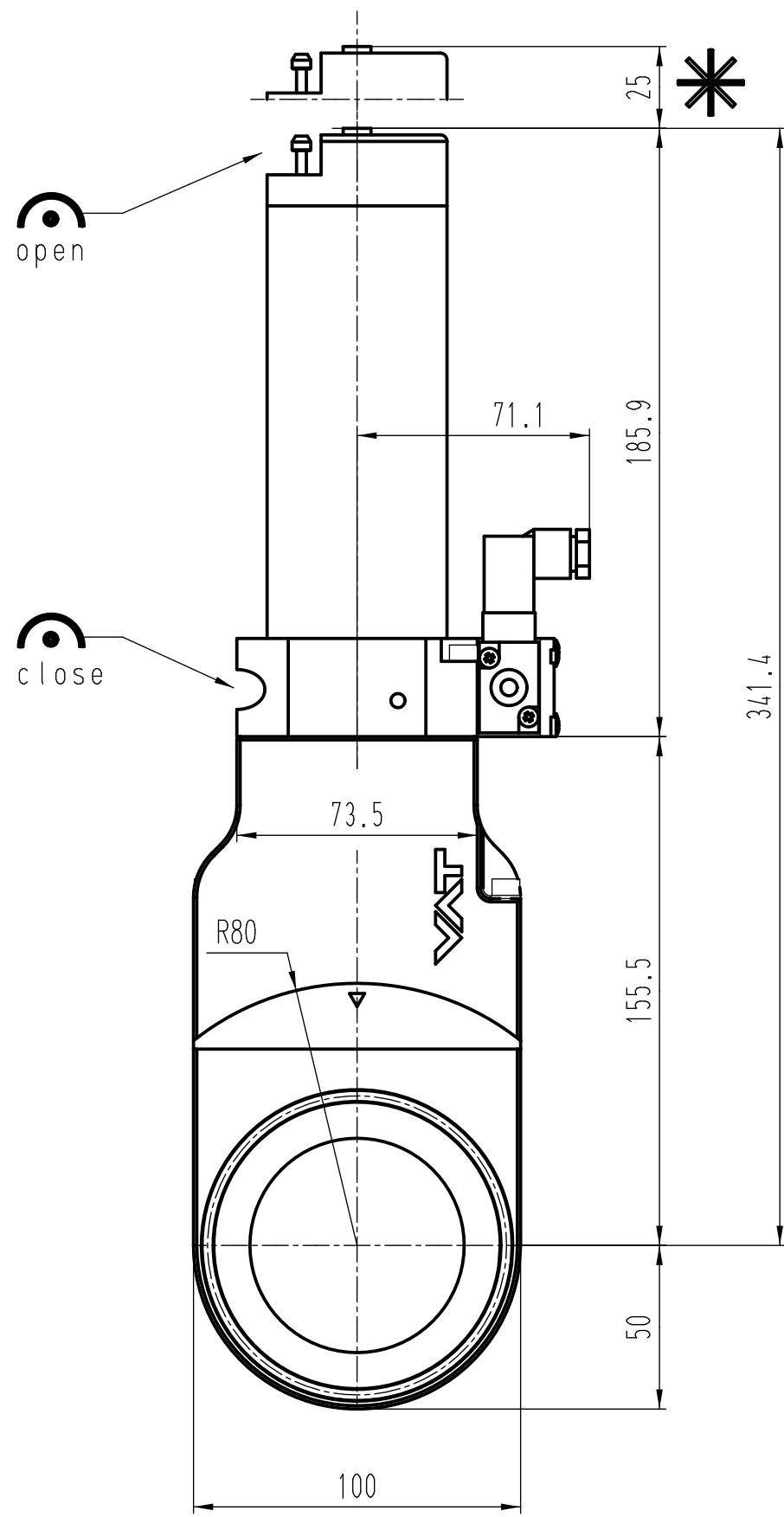
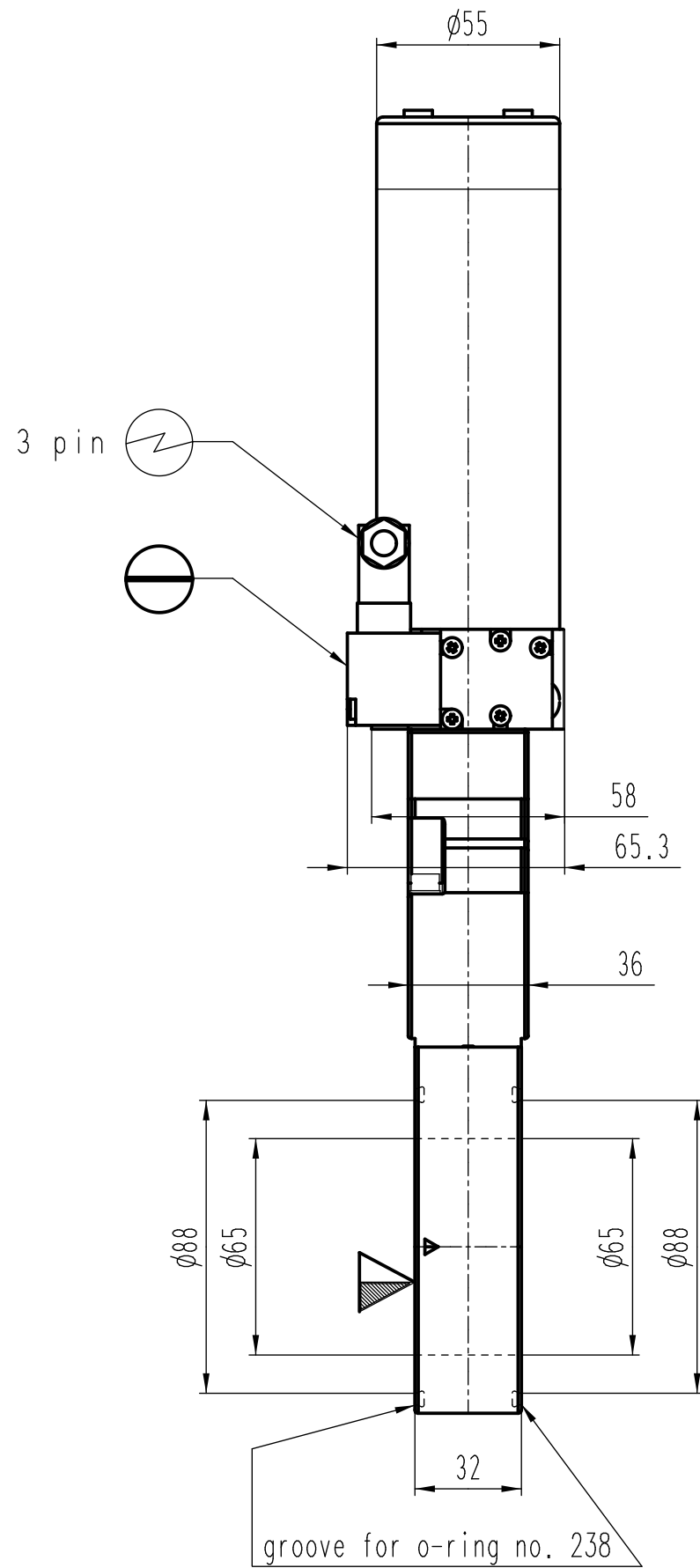


This drawing is the property of VAT.

Revision

Customer number



groove for o-ring no. 238

- ▼ Seat side
- ⊙ Comp. air connection
- ⊕ Electrical connection
- ⊖ Leak detection port
- ⊙ Mech. pos. indication
- ⊙ Position indicator
- ⊙ Required for dismantling
- ⊙ Emergency actuation
- ⊙ For attachment
- ⊙ Bake-out area
- ⊙ Differential pumping port

Insertable gate valve

VAT Vakuumentile AG
 CH-9469 Haag, Switzerland
 Tel ++41 81 7716161 Fax ++41 81 7714830

Date: 24.01.06
 Name: GRC

Series	081		Ordering No.
Projection E	DN	Flange	
	63	DIN-Ans.	
Dimensional Drawing	309477		Rev.