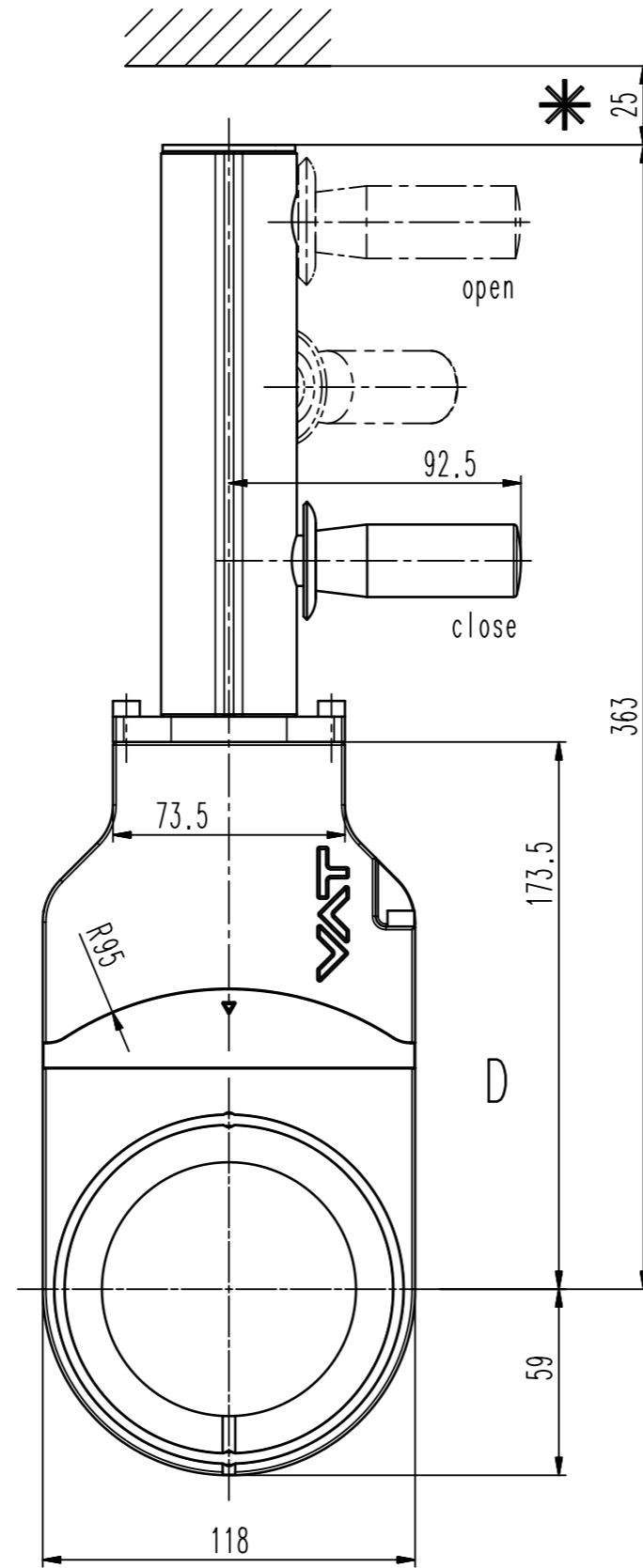


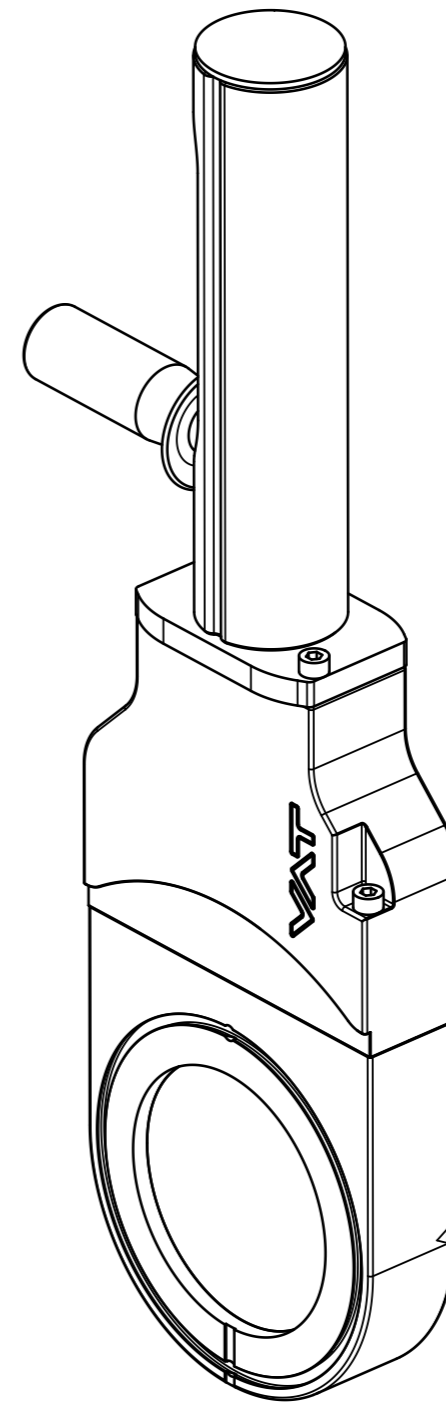
D-side



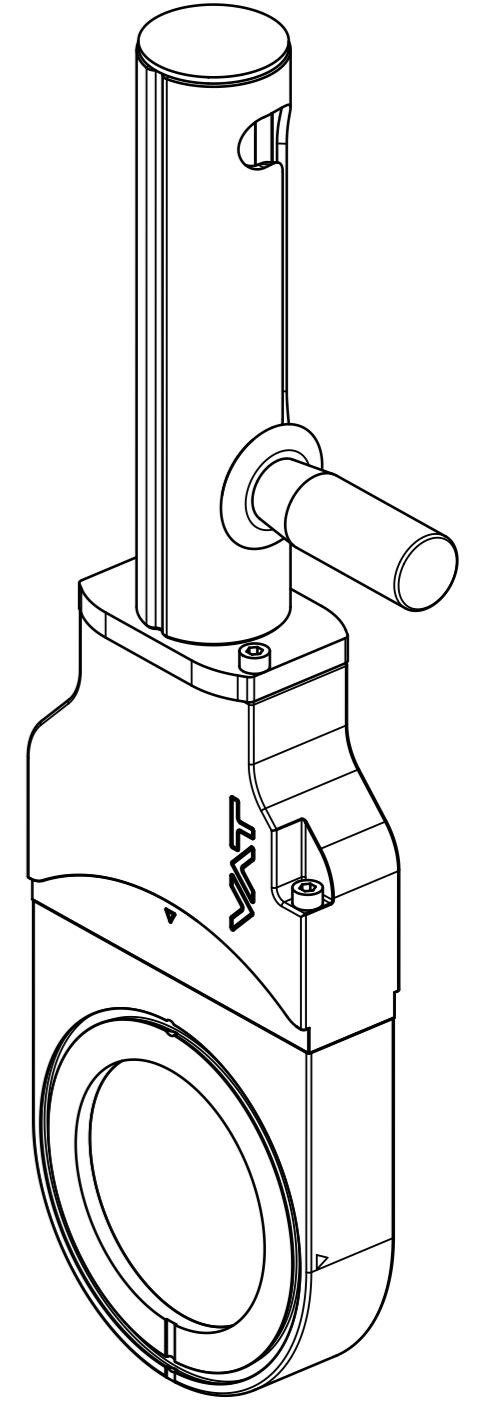
C

open

close



B-side



A-(seat-)side

- ▼ Seat side
- ⊙ Comp. air connection
- ⊙ Electrical connection
- ⊙ Leak detection port
- ⊙ Mech. pos. indication
- ⊙ Position indicator
- ⊙ Required for dismantling
- ⊙ Emergency actuation
- ⊙ For attachment
- ⊙ Bake-out area
- ⊙ Differential pumping port

Vacuum gate valve



VAT Vakuumventile AG

CH-9469 Haag, Switzerland
Tel ++41 81 7716161 Fax ++41 81 7714830

Rev.-Date: 21.01.15

Visa: HUC

Series	081	Ordering No.	08138-FA03-0001
Projection E	DN	Flange	
	80	DIN-Ans.	
Dimensional Drawing	260847	Rev.	