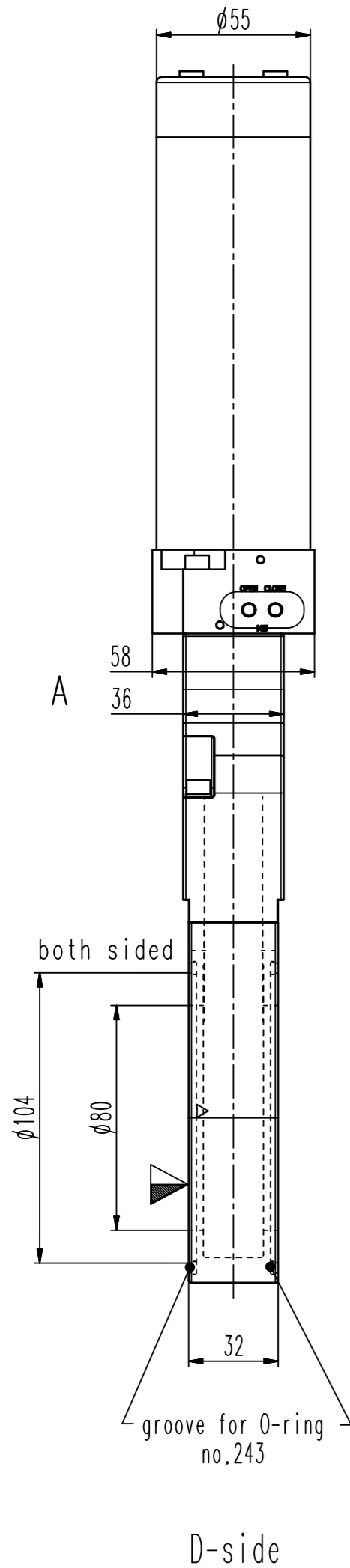


This drawing is the property of VAT.

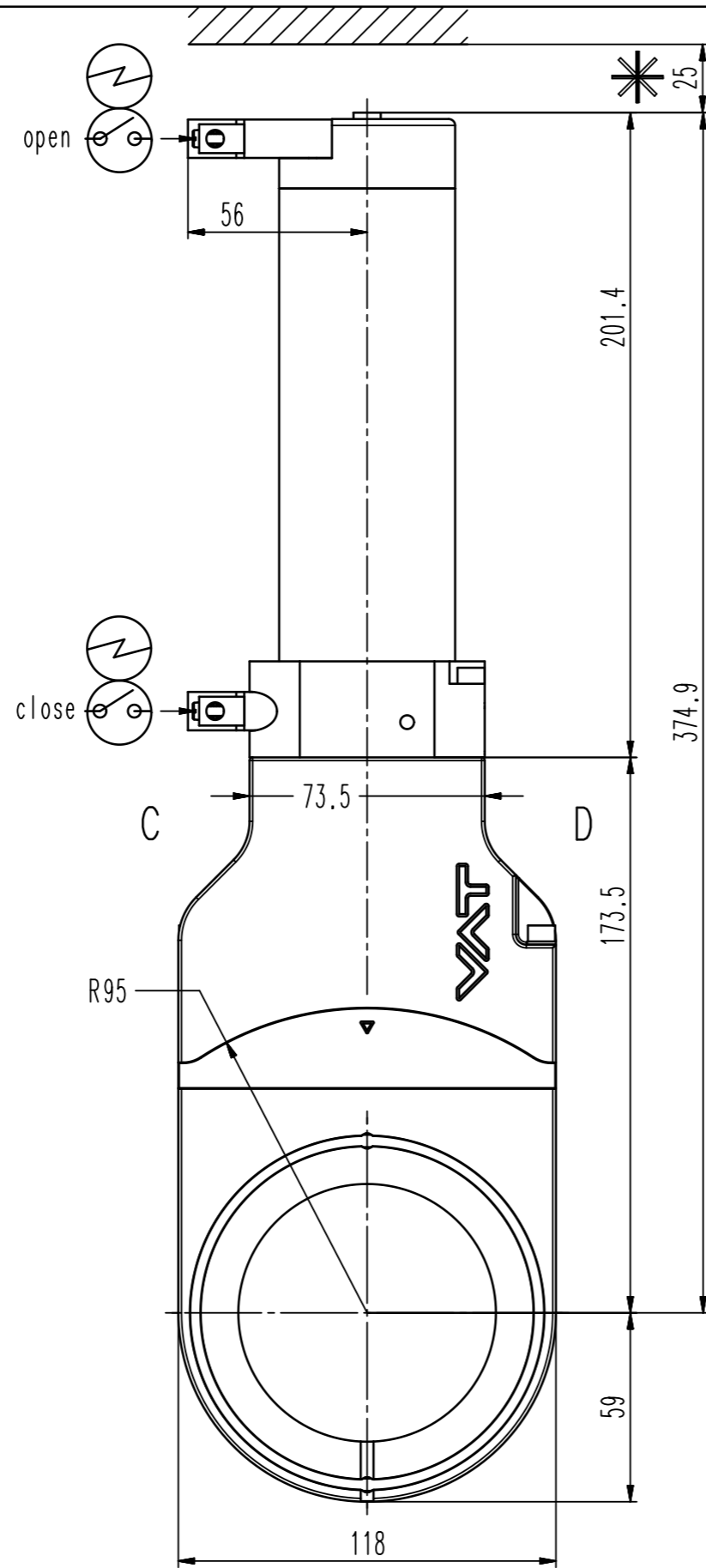
Revision

Customer number



D-side

B



Vacuum gate valve

- ▼ Seat side
- ⊙ Comp. air connection
- ⊙ Electrical connection
- ⊙ Leak detection port
- ⊙ Mech. pos. indication
- ⊙ Position indicator
- ★ Required for dismantling
- ⊙ Emergency actuation
- ⊙ For attachment
- ⊙ Bake-out area
- ⊙ Differential pumping port



VAT Vakuumventile AG

CH-9469 Haag, Switzerland  
Tel ++41 81 7716161 Fax ++41 81 7714830

Rev.-Date: 10.03.15

Visa: HUC

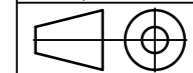
Series

081

Ordering No.

08138-FA24-0001

Projection E



DN

80

Flange

DIN-Ans.

Dimensional Drawing

254078

Rev.

close



2x M5  
(10-32 UNF  
suitable)  
4-7 bar



open

B-site

A-(seat)-site