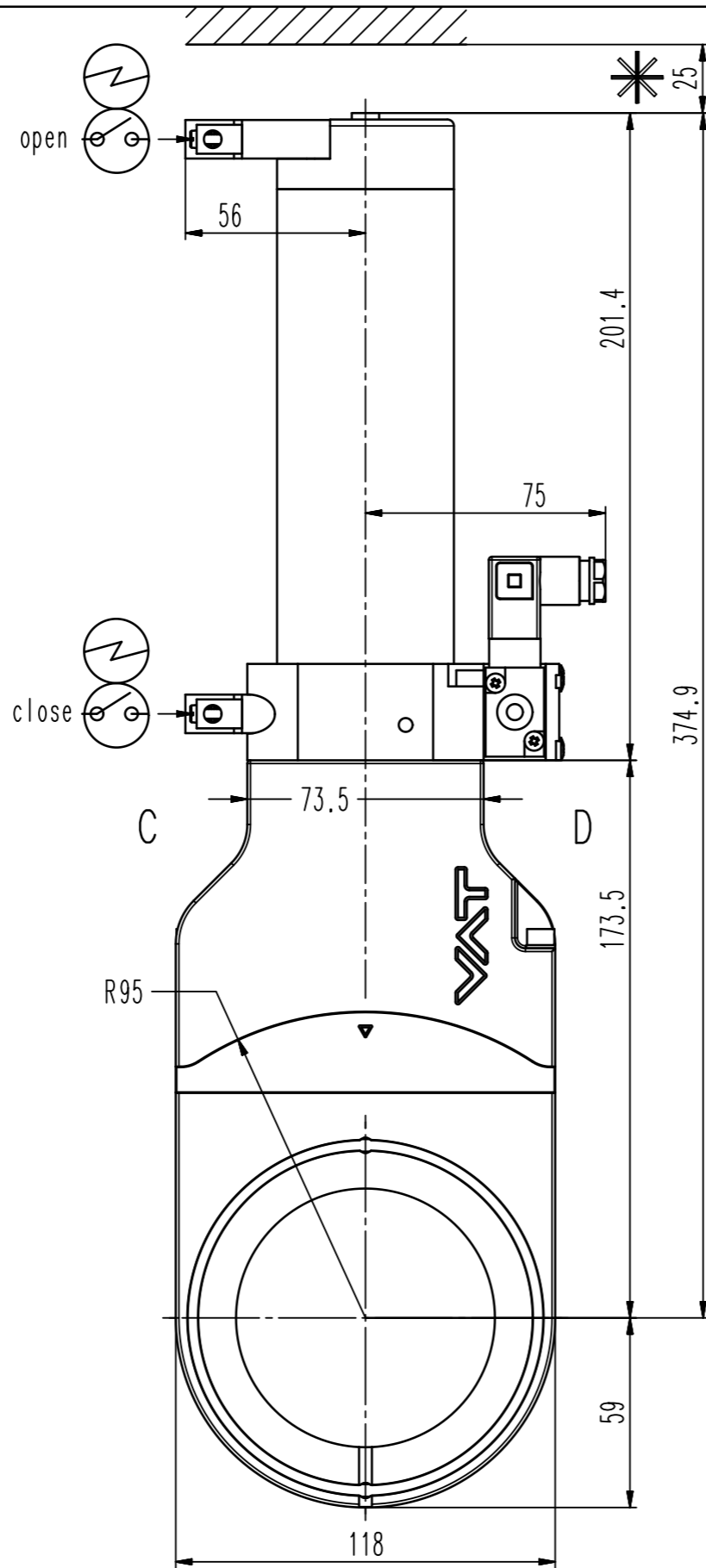


D-side

B



C

R95

118

- ▼ Seat side
- ⊕ Comp. air connection
- ⊕ Electrical connection
- ⊕ Leak detection port
- ⊕ Mech. pos. indication
- ⊕ Position indicator
- ⊕ Required for dismantling
- ⊕ Emergency actuation
- ⊕ For attachment
- ⊕ Bake-out area
- ⊕ Differential pumping port

Vacuum gate valve



VAT Vakuumentile AG

CH-9469 Haag, Switzerland
Tel ++41 81 7716161 Fax ++41 81 7714830

Rev.-Date: 10.03.15

Visa: HUC

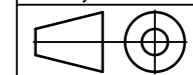
Series

081

Ordering No.

08138-FA44-0001

Projection E



DN

80

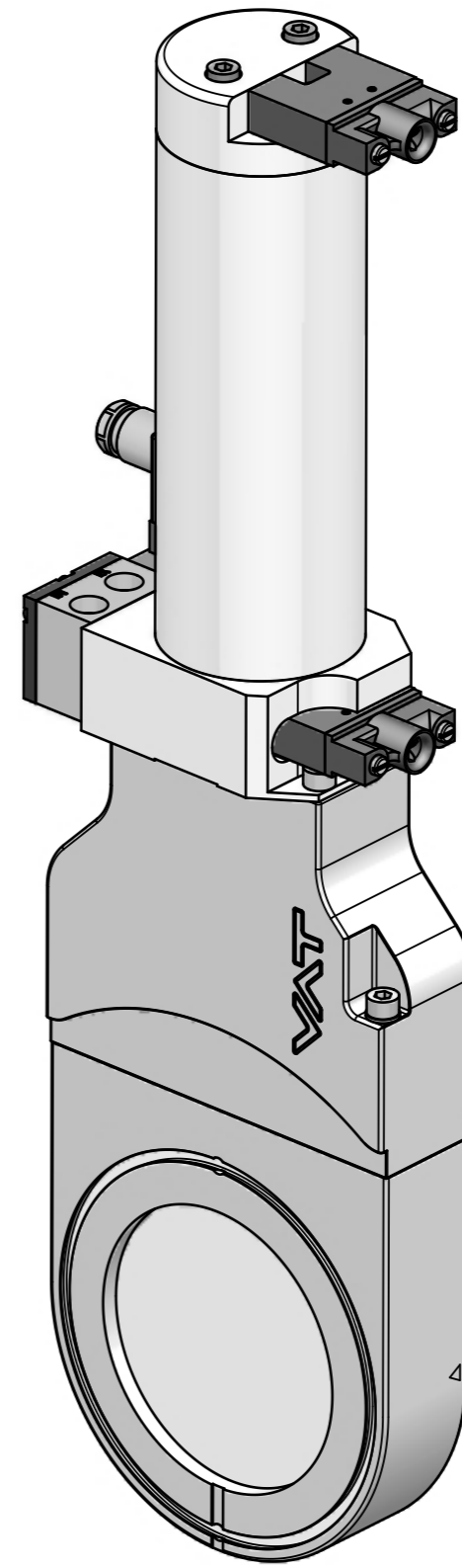
Flange

DIN-Ans.

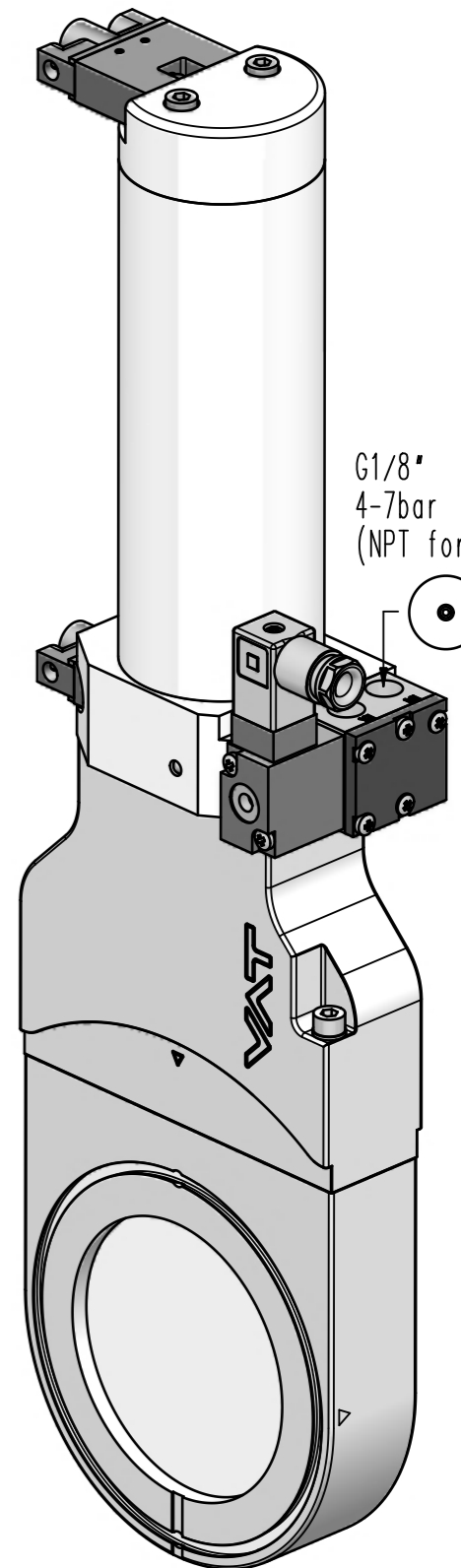
Dimensional Drawing

258303

Rev.



B-site



A-(seat)-site

G1/8\"/>

