



VAT Vakuumentile AG
CH-9469 Haag, Schweiz

Product data sheet

Vacuum gate valve, Series 08.1, DN 80 (ID 2½")
Ordering No. 08138-FA44

Description

Flange	DN 80 Flat flanges with O-ring grooves
Actuator	pneumatic, double acting – with solenoid valve – with position indicator
Feedthrough	Shaft feedthrough

Technical data

Leak rate	– Valve body – Valve seat	$< 5 \cdot 10^{-9}$ mbar ls ⁻¹ $< 1 \cdot 10^{-9}$ mbar ls ⁻¹
Pressure range		$1 \cdot 10^{-7}$ mbar to 1.6 bar (abs)
Differential pressure on the gate		≤ 1.6 bar
Differential pressure at opening		≤ 30 mbar
Conductance (molecular flow)		2 000 ls ⁻¹
Cycles until first service		200 000 (unheated and under clean conditions)
Temperature (Maximum values: depending on operating conditions and sealing materials)	– Valve Body – Actuator – Solenoid valve – Position indicator	≤ 120 °C ≤ 80 °C ≤ 50 °C ≤ 80 °C
Heating and cooling rate		50 °C h ⁻¹
Material (main components)	– Valve Body – Mechanism	EN AW-5083 (3.3547), EN AW-6061 (3.3211) AISI 304 (1.4301)
Seal	– Bonnet – Gate – Shaft feedthrough	FKM (Viton®) FKM (Viton®) FKM (Viton®)
Mounting position		any
Volume of pneumatic actuator		0.20 l / 0.0071 ft ³
Compressed air min. – max. overpressure		4 – 7 bar / 58 – 102 psi
Compressed air connection		G½" (½" NPT for USA)
Actuation time	– closing – opening	1.7 s 1.7 s
Weight		2.7 kg / 6 lbs

Created by: MAEM	Release date: 2013-06-10	1 of 2
Modified by:	Release date:	260215EA



VAT Vakuumventile AG
CH-9469 Haag, Schweiz

Product data sheet

Vacuum gate valve, Series 08.1, DN 80 (ID 2½")
Ordering No. 08138-FA44

Behavior in case of compressed air pressure drop – Valve closed
– Valve open

valve remains closed
undefined

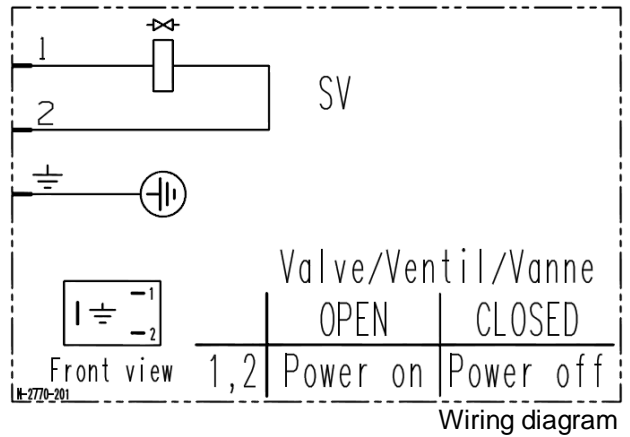
Behavior in case of power failure – Valve closed
– Valve open

valve remains closed
valve closes

Electrical connections

Solenoid valve

Type 4/2 way
Voltage Defined by order



Position indicator

Type Micro switch
Voltage ≤ 250 V AC, ≤ 50 V DC
Current max. ≤ 2 A, ≤ 1.2 A

