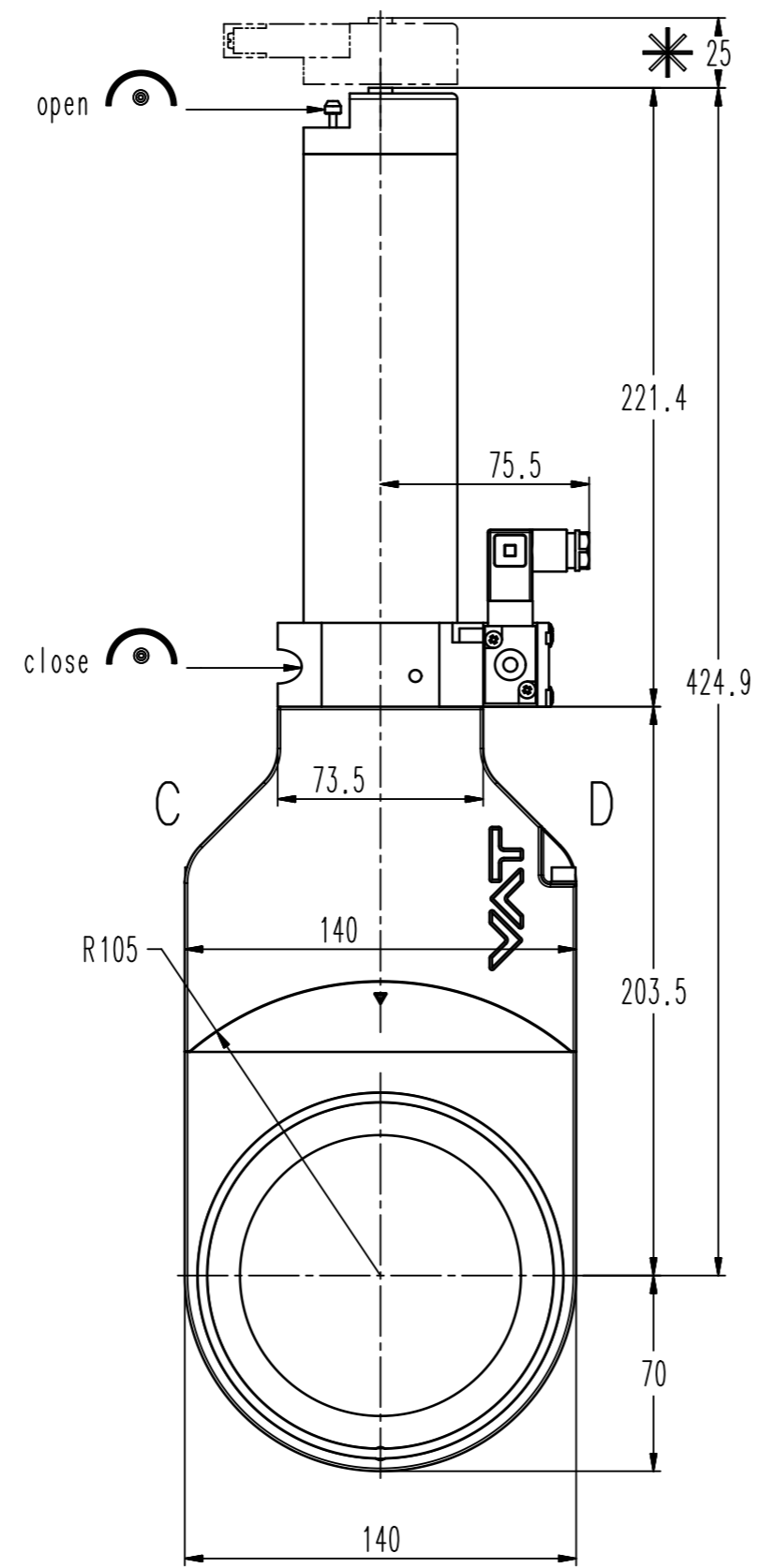
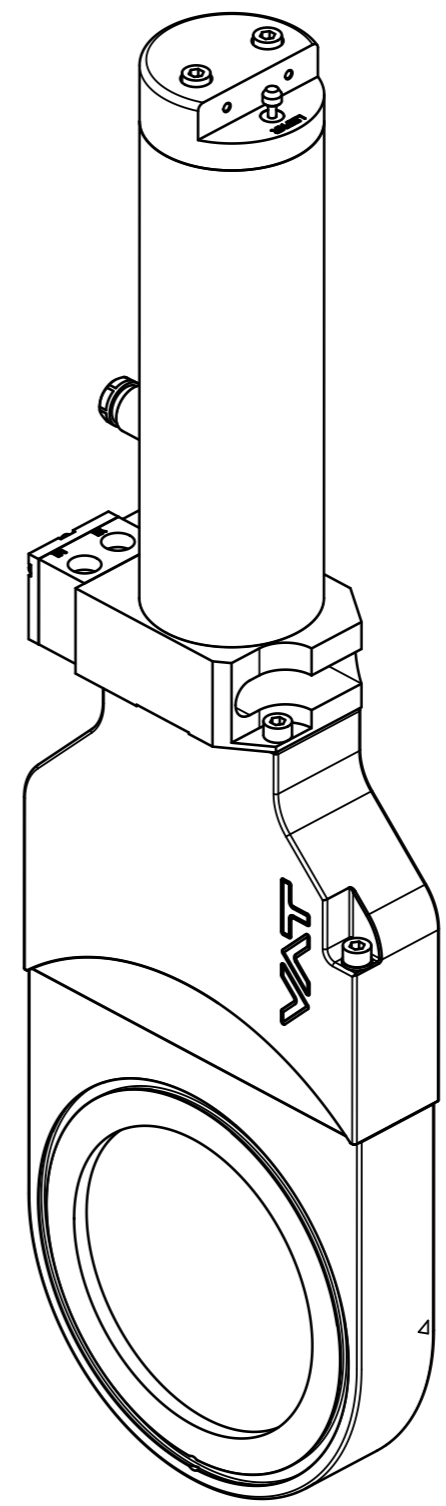


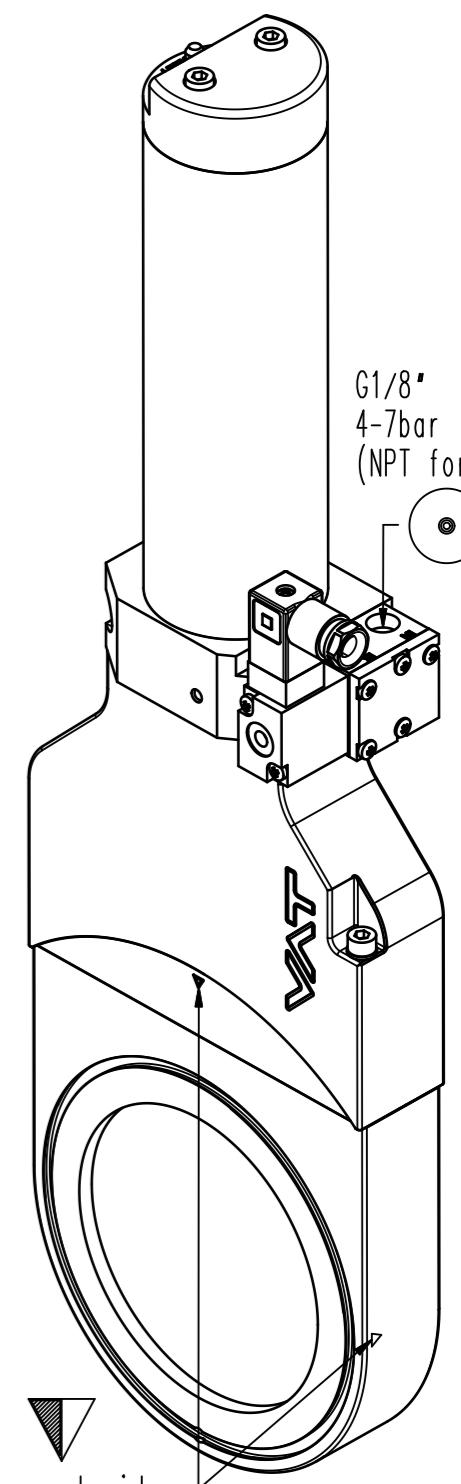
D-side



B



B-side



A(seat)-side

- ▼ Seat side
- ⊕ Comp. air connection
- ⊖ Electrical connection
- ⊙ Leak detection port
- ⊚ Mech. pos. indication
- ⊛ Position indicator
- ⊜ Required for dismantling
- ⊝ Emergency actuation
- ⊞ For attachment
- ⊟ Bake-out area
- ⊠ Differential pumping port

Vacuum gate valve



VAT Vakuumventile AG
 CH-9469 Haag, Switzerland
 Tel ++41 81 7716161 Fax ++41 81 7714830

Rev.-Date: 23.01.06
 Visa: HUC

Series	081	Ordering No.	08140-FA34-0001
Projection E	DN	Flange	
	100	DIN-Ans.	
Dimensional Drawing	309332	Rev.	