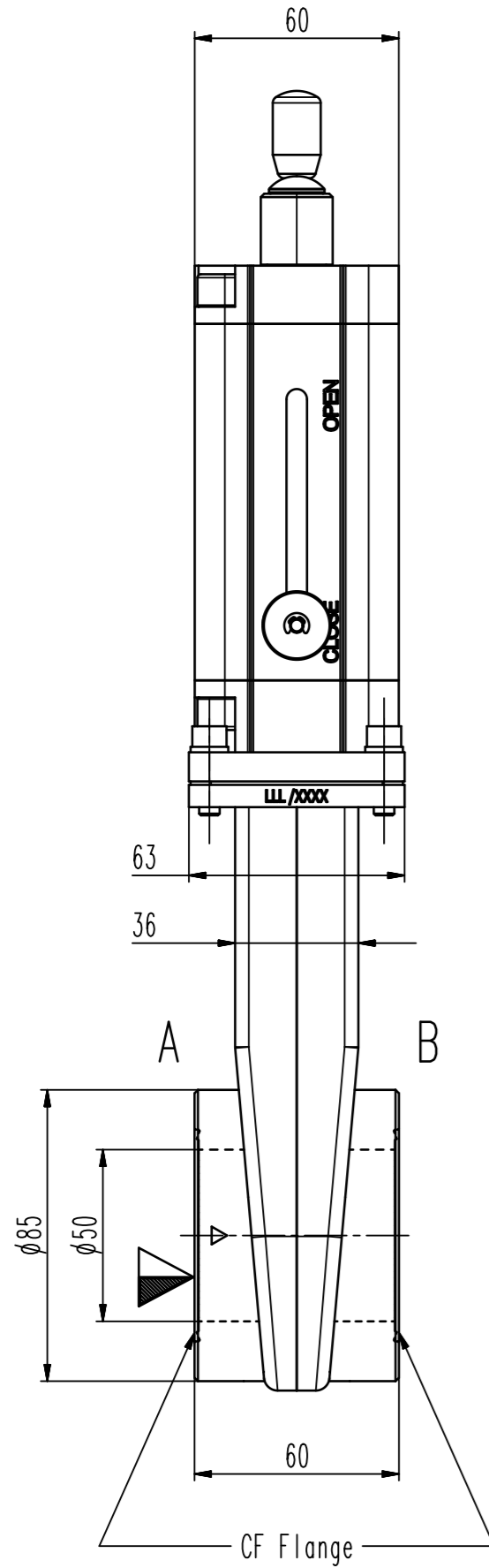


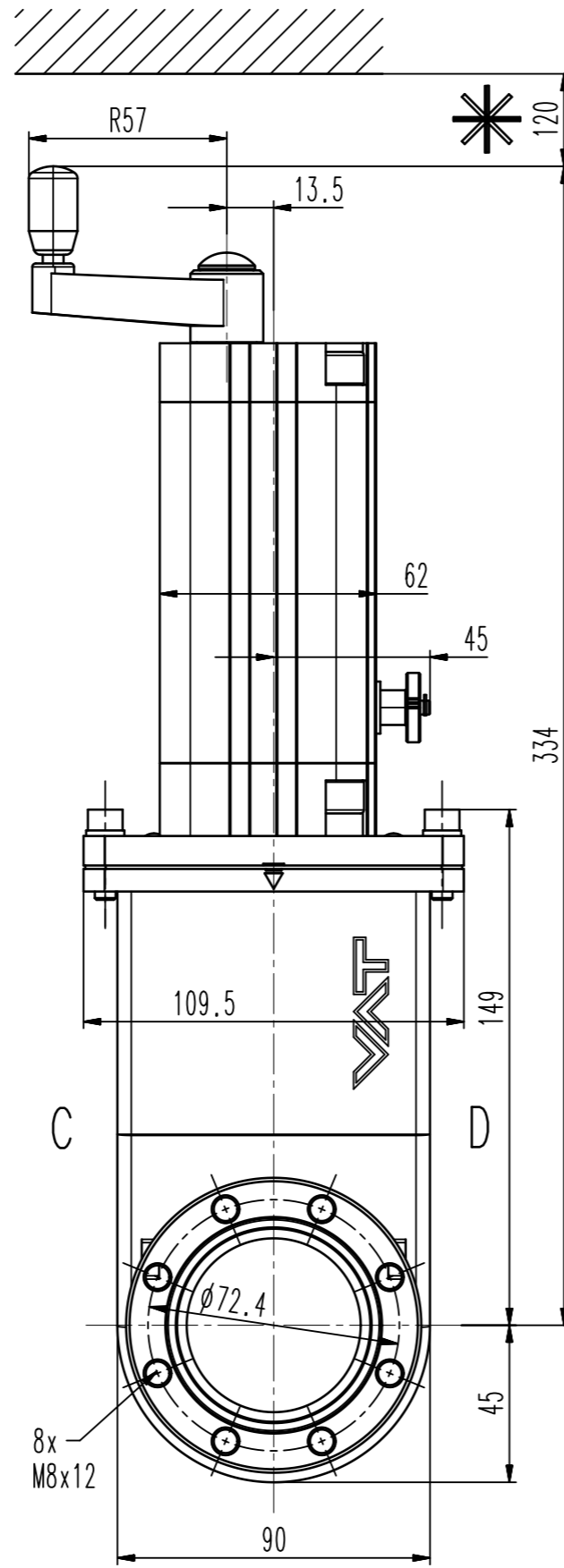
This drawing is the property of VAT.

Revision

Customer number

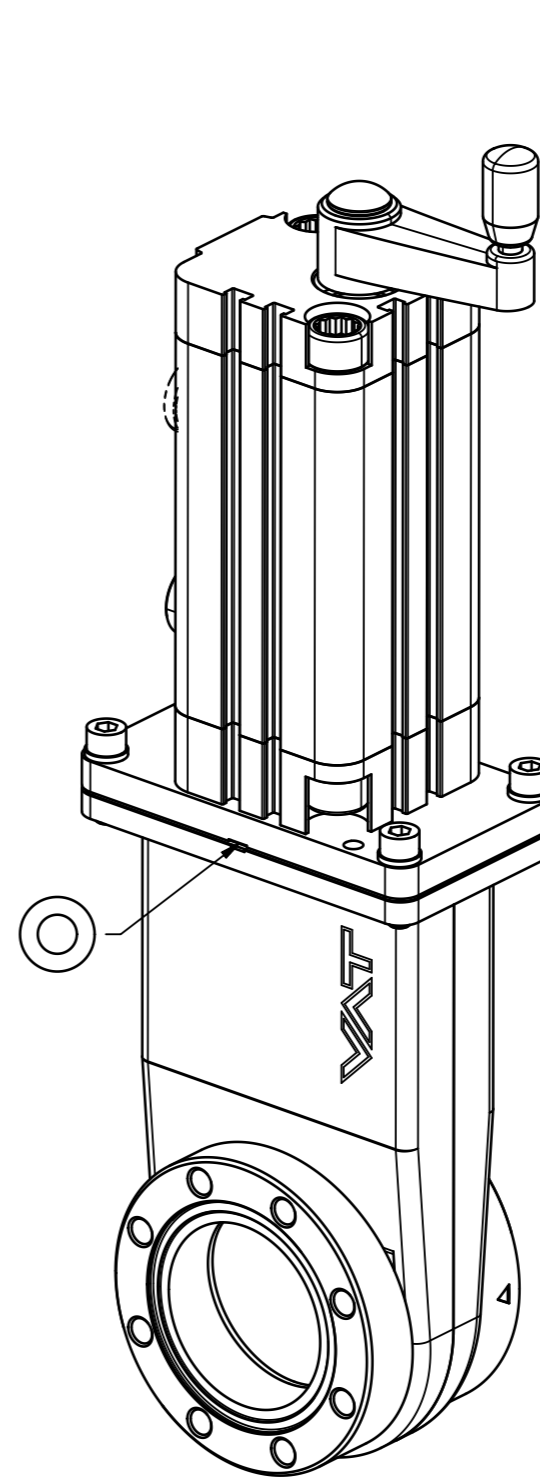


D-side

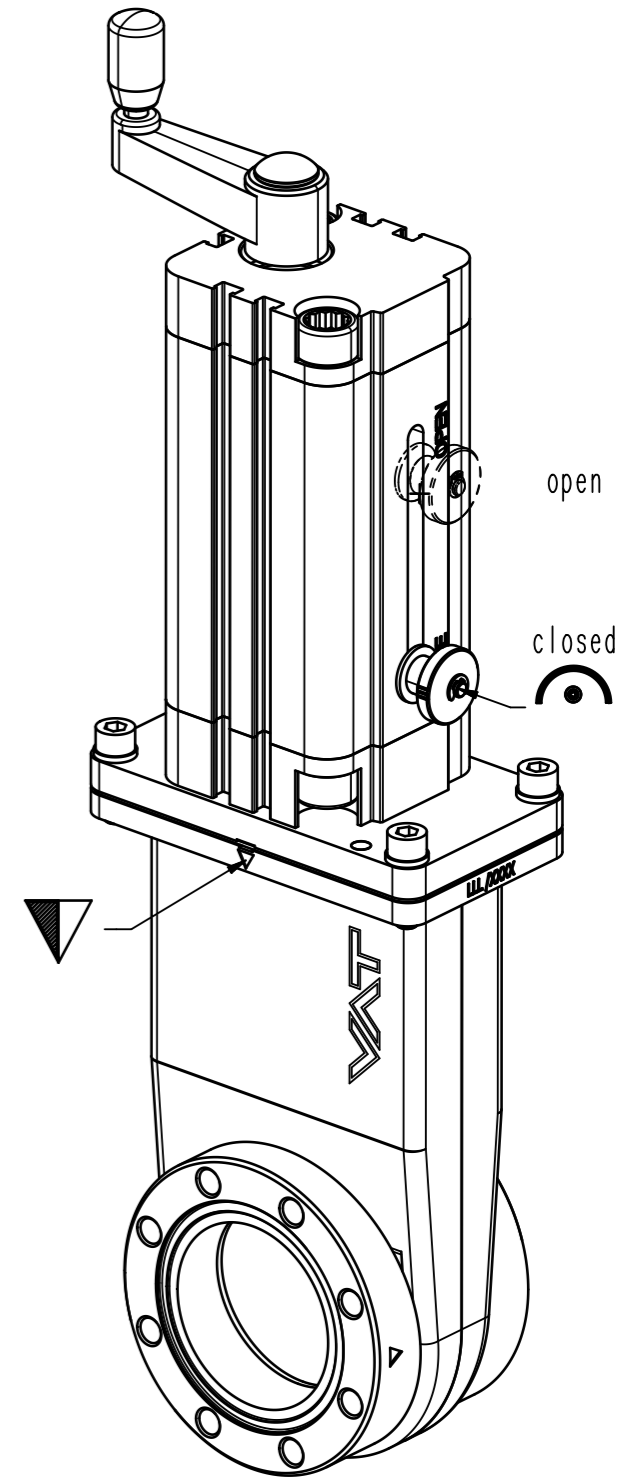


8x
M8x12

90



B-side



A-(seat)side

- ▼ Seat side
- ⊙ Comp. air connection
- ⊕ Electrical connection
- ⊖ Leak detection port
- ⊗ Mech. pos. indication
- ⊘ Position indicator
- ⊙* Required for dismantling
- ⊙□ Emergency actuation
- ⊙□ For attachment
- ⊙□ Bake-out area
- ⊙□ Differential pumping port

HV gate valve



VAT Vakuumventile AG

CH-9469 Haag, Switzerland
Tel ++41 81 7716161 Fax ++41 81 7714830

Rev.-Date: 26.09.14

Visa: GRX

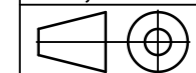
Series

091

Ordering No.

09134-CE01-0001

Projection E



DN

50

Flange

CF-F m

Dimensional
Drawing

770334

Rev.

VAT/DA