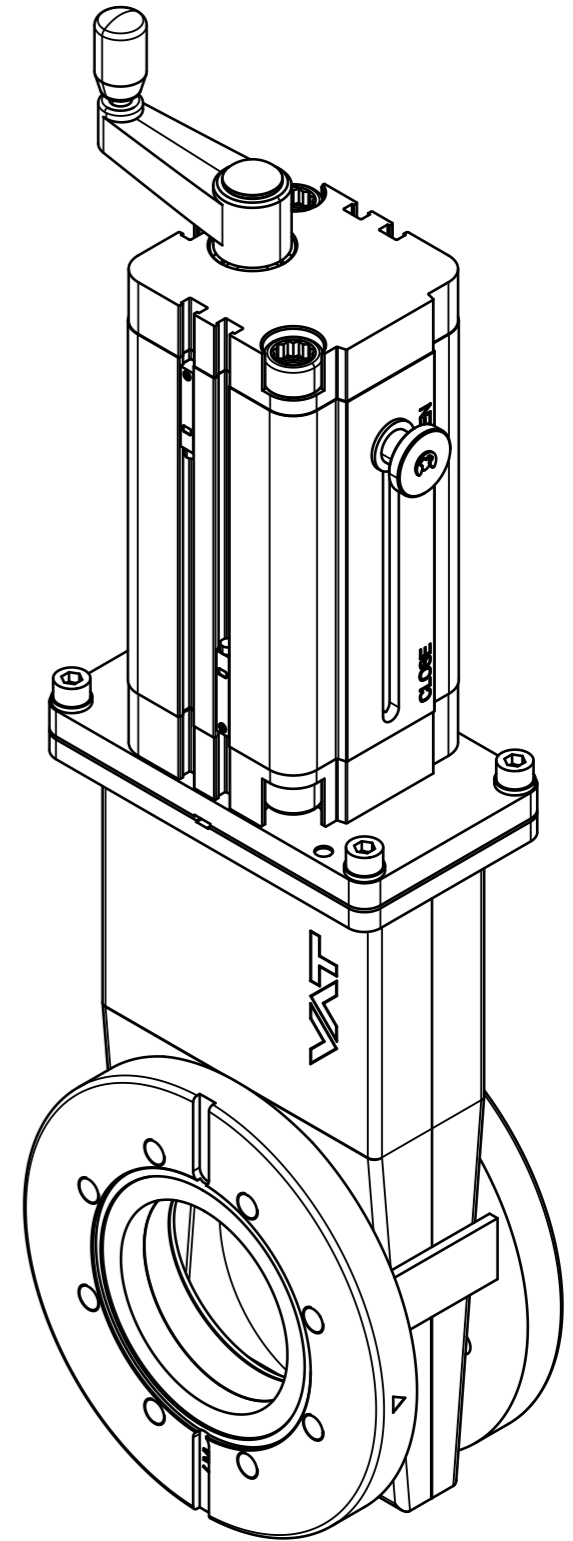
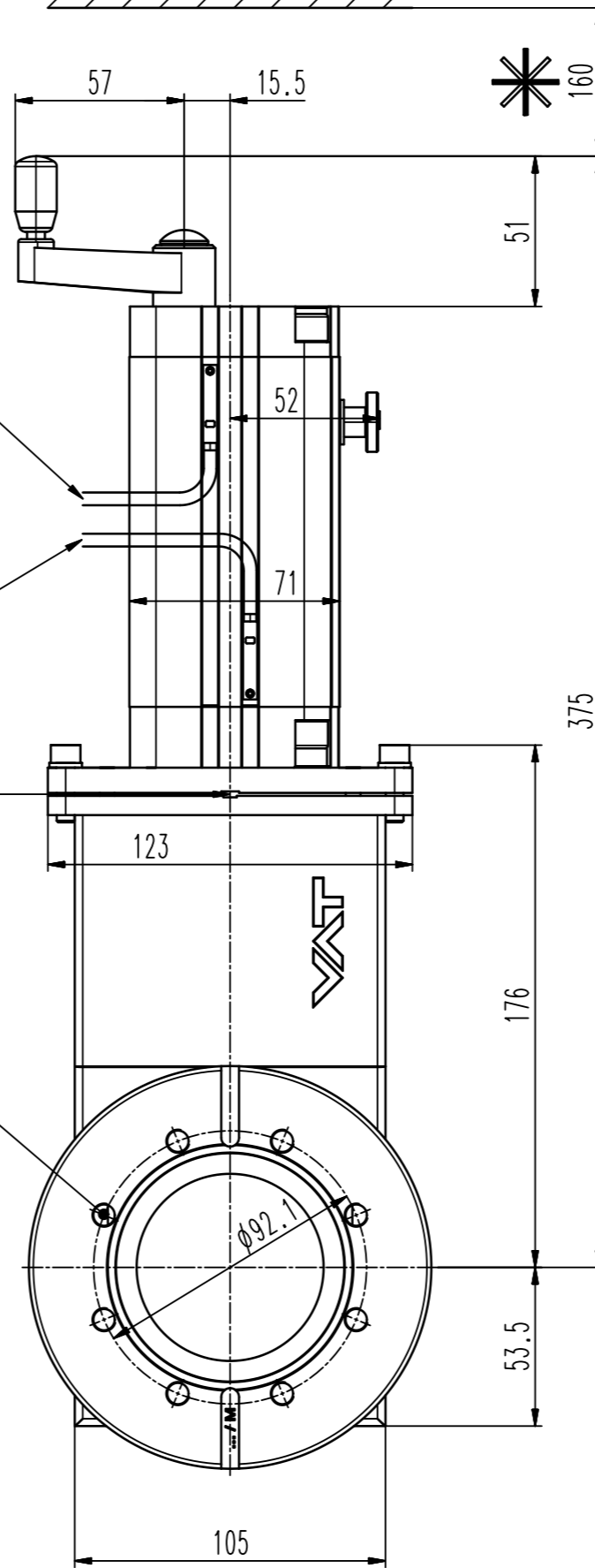


8x M8, 13deep



- ▼ Seat side
- Comp. air connection
- Electrical connection
- Leak detection port
- Mech. pos. indication
- Position indicator
- Required for dismantling
- Emergency actuation
- For attachment
- Bake-out area
- Differential pumping port

HV gate valve



VAT Vakuumventile AG
CH-9469 Haag, Switzerland
Tel ++41 81 7716161 Fax ++41 81 7714830

Rev.-Date: 09.07.12
Visa: VEB

Series	091	Ordering No.	09136-CE08-0001
Projection E	DN	Flange	
	63	CF-F m	
Dimensional Drawing	355274	Rev.	A