



VAT Vakuumventile AG
CH-9469 Haag, Schweiz

Product data sheet

HV gate valve, Series 091, DN 63 (ID 2½'')
Ordering No. 09136-PE08

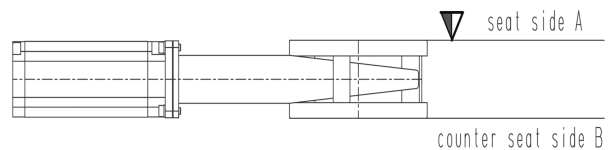
Description

Flange	ISO-F 63
Actuator	Manual actuator with position indicator, detachable handle, self locking in any position – with position indicator
Number of turns needed for full stroke	27 Turns
Feedthrough	Bellows feedthrough

Technical data

Leak rate	
– Valve body	$< 1 \cdot 10^{-9} \text{ mbar ls}^{-1}$
– Valve seat	$< 1 \cdot 10^{-7} \text{ mbar ls}^{-1}$
Pressure range	$1 \cdot 10^{-8} \text{ mbar}$ to 1.2 bar (abs)
Differential pressure on the gate	$\leq 1.2 \text{ bar}$
Conductance (molecular flow)	400 ls^{-1}

Max. differential pressure at opening in closing and opening direction with influence to the cycle life



– Higher pressure on seat side A, the differential pressure acts in opening direction	$\leq 1.0 \text{ bar}$ with full cycle life
– Higher pressure on counter seat side B, the differential pressure acts in closing direction	$\leq 30 \text{ mbar}$ with full cycle life
– Higher pressure on counter seat side B, the differential pressure acts in closing direction	$\leq 1.0 \text{ bar}$ with reduced cycle life
Cycles until first service	5 000 (unheated and under clean conditions)
Bellows cycles	100 000 (unheated and under clean conditions)
Bake-out temperature	
– Valve body	$\leq 150 \text{ }^\circ\text{C}$ (bake-out max. 24h)
– Actuator	$\leq 100 \text{ }^\circ\text{C}$
– Position indicator	$\leq 60 \text{ }^\circ\text{C}$

Created by: MAEM	Release date: 2015-01-20	1 of 2
Modified by:	Release date:	601742EB



VAT Vakuumventile AG
CH-9469 Haag, Schweiz

Product data sheet

HV gate valve, Series 091, DN 63 (ID 2½")
Ordering No. 09136-PE08

Heating and cooling rate

50 °C h⁻¹

Material

- Valve body
- Bonnet
- Gate
- Parts (in contact with media)
- Bellows

AISI 304 (1.4301)
EN AW-5083 (3.3547)
AISI 304 (1.4301), (1.4308)
A2 Ni-Teflon coated, PEEK
AISI 633, (AM350)

Seal

- Bonnet
- Gate
- Actuator

FKM (Viton®)
FKM (Viton®)
FKM (Viton®)

Mounting position

any

Weight

approx. 6.1 kg / 13.4 lbs

Electrical connections

Position indicator

Type

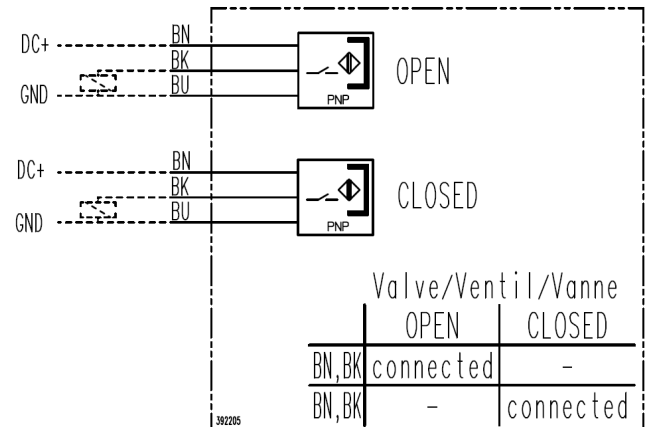
PNP (NO with LED)

Voltage

10..30 V DC

Current max.

200 mA



Wiring diagram

Created by: MAEM	Release date: 2015-01-20	2 of 2
Modified by:	Release date:	601742EB