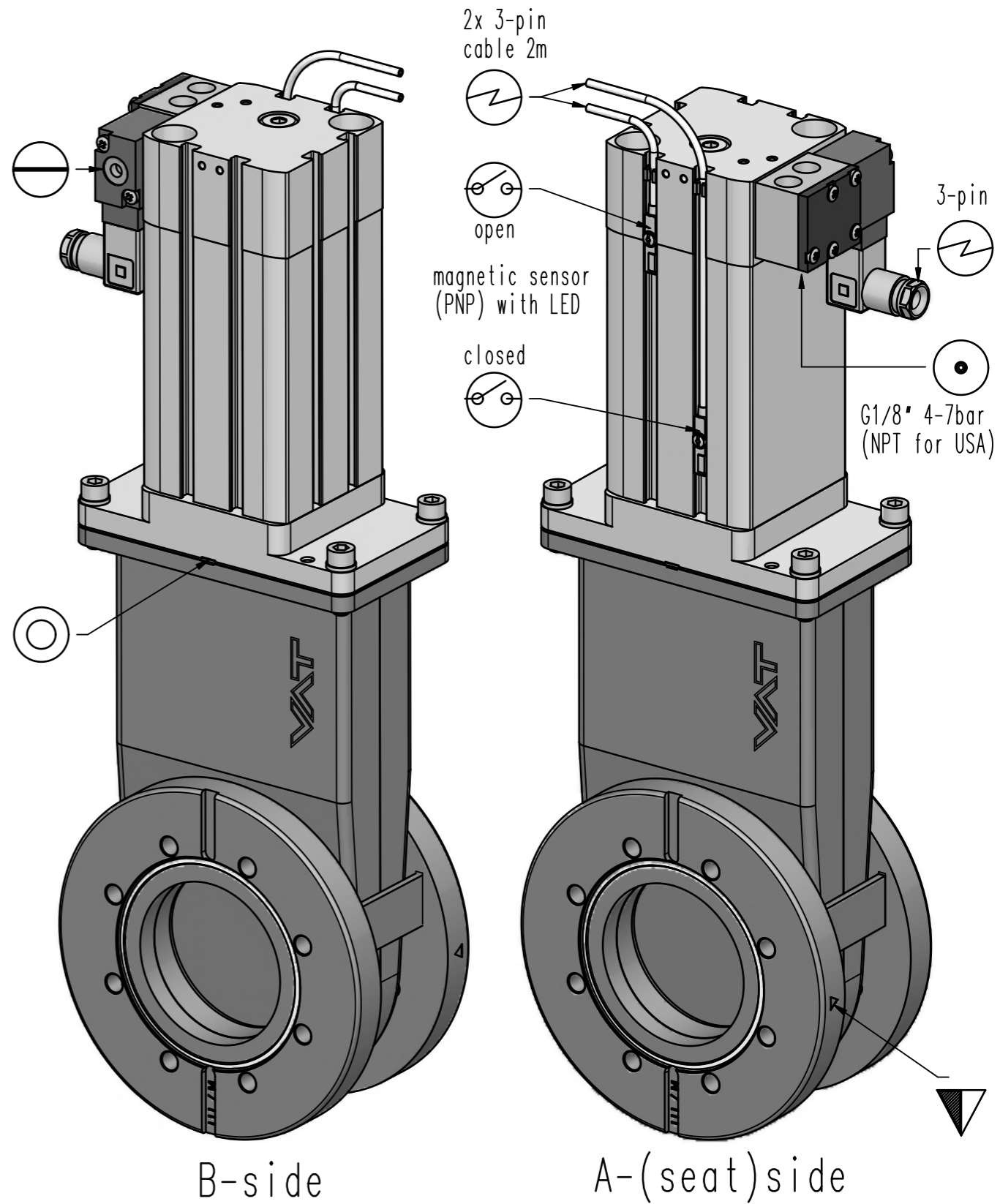
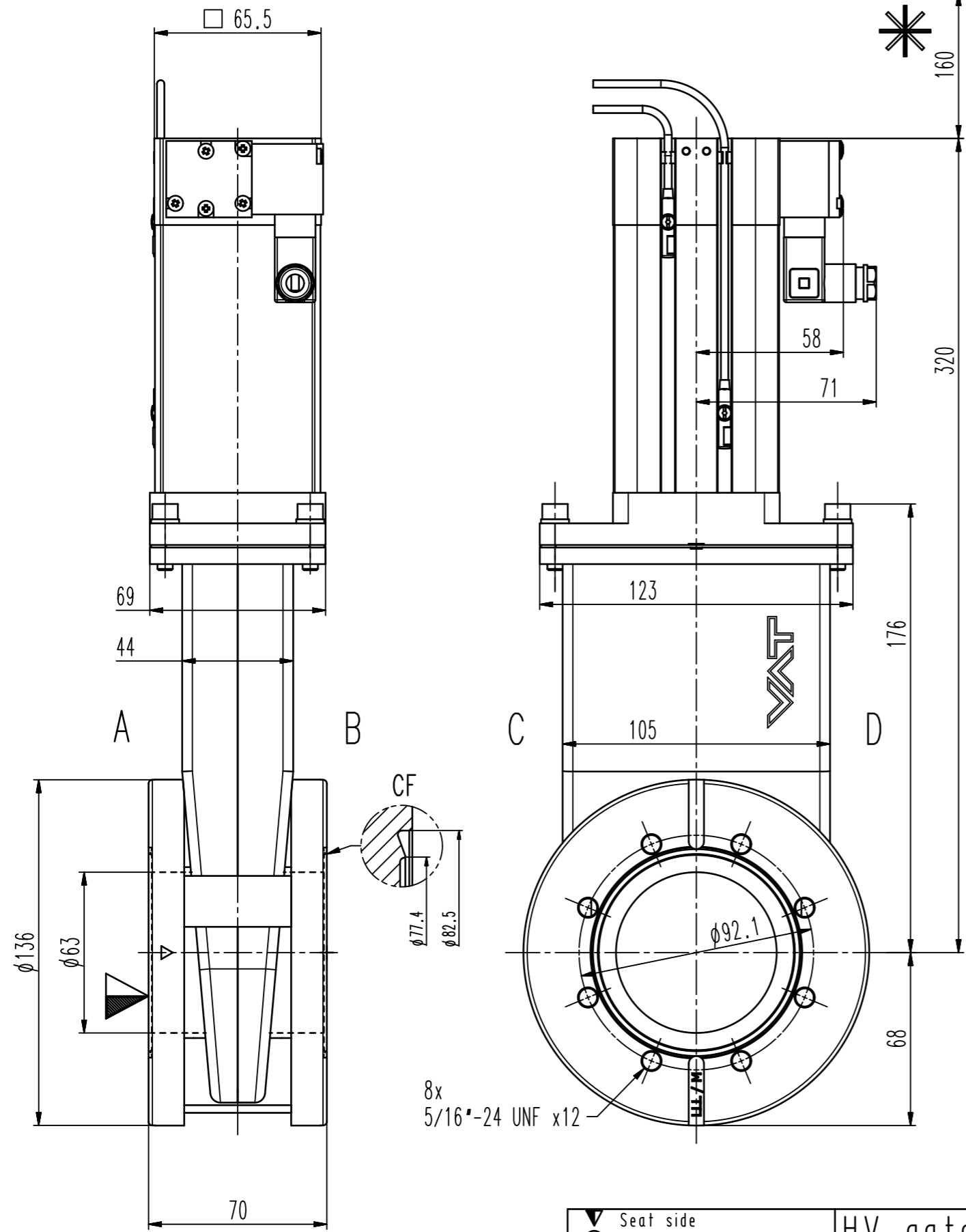


This drawing is the property of VAT.

Revision

Customer number



D-side

B-side

A-(seat)side

- ▼ Seat side
- ⊙ Comp. air connection
- ⊙ Electrical connection
- ⊙ Leak detection port
- ⊙ Mech. pos. indication
- ⊙ Position indicator
- ⊙ Required for dismantling
- ⊙ Emergency actuation
- ⊙ For attachment
- ⊙ Bake-out area
- ⊙ Differential pumping port

HV gate valve



VAT Vakuumventile AG
CH-9469 Haag, Switzerland
Tel ++41 81 7716161 Fax ++41 81 7714830

Rev.-Date: 27.09.13
Visa: HUC

Series	091	Ordering No.	09136-UE44-0003
Projection E	DN	Flange	
	63	CF-F UNF	
Dimensional Drawing	711562	Rev.	