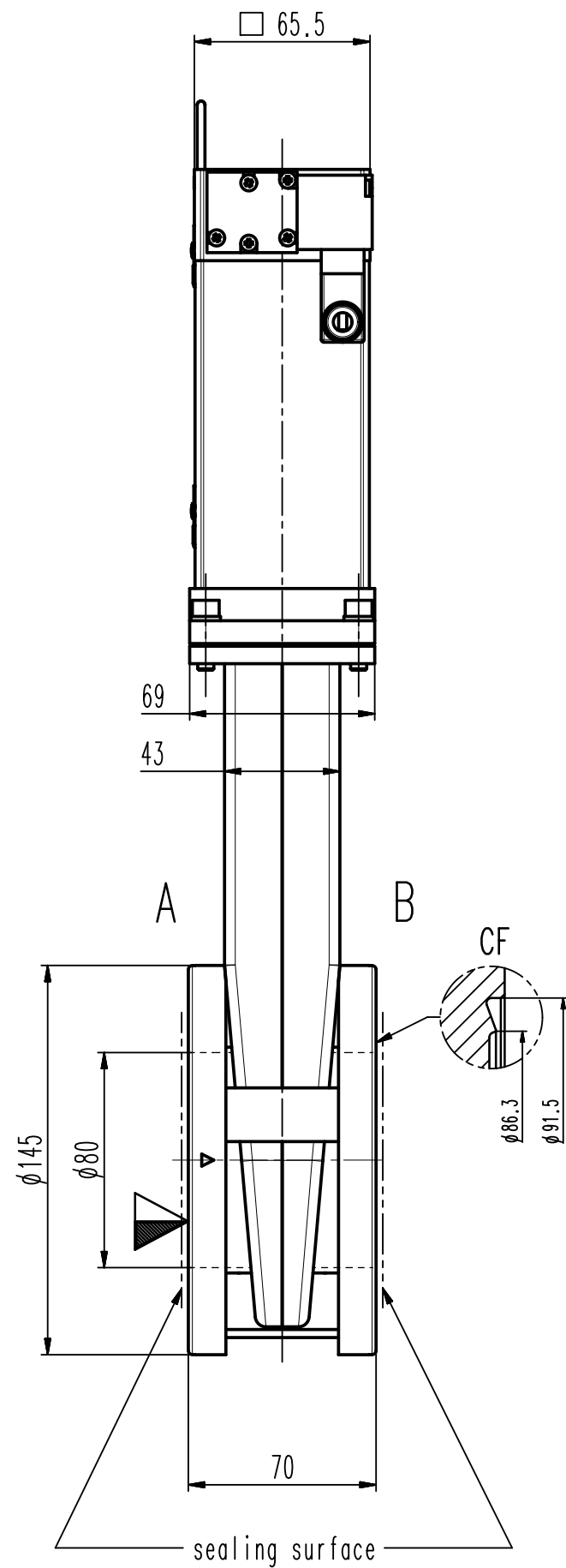


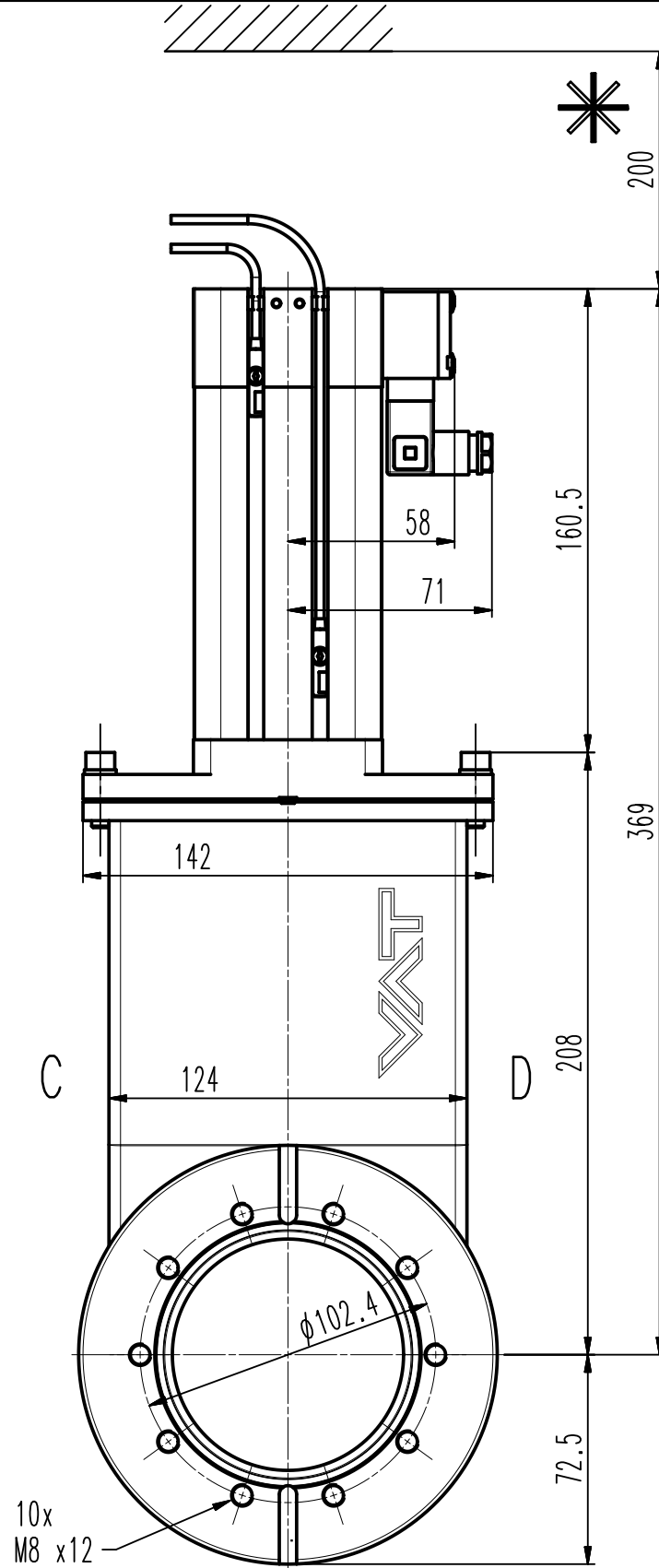
This drawing is the property of VAT.

Revision

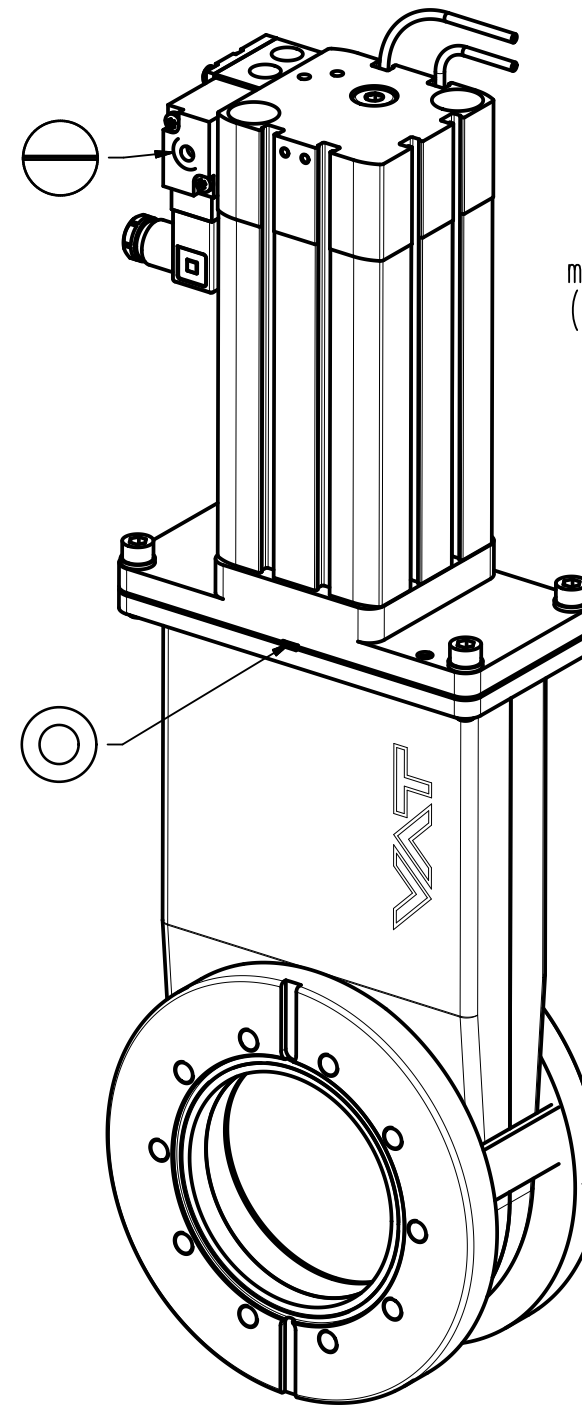
Customer number



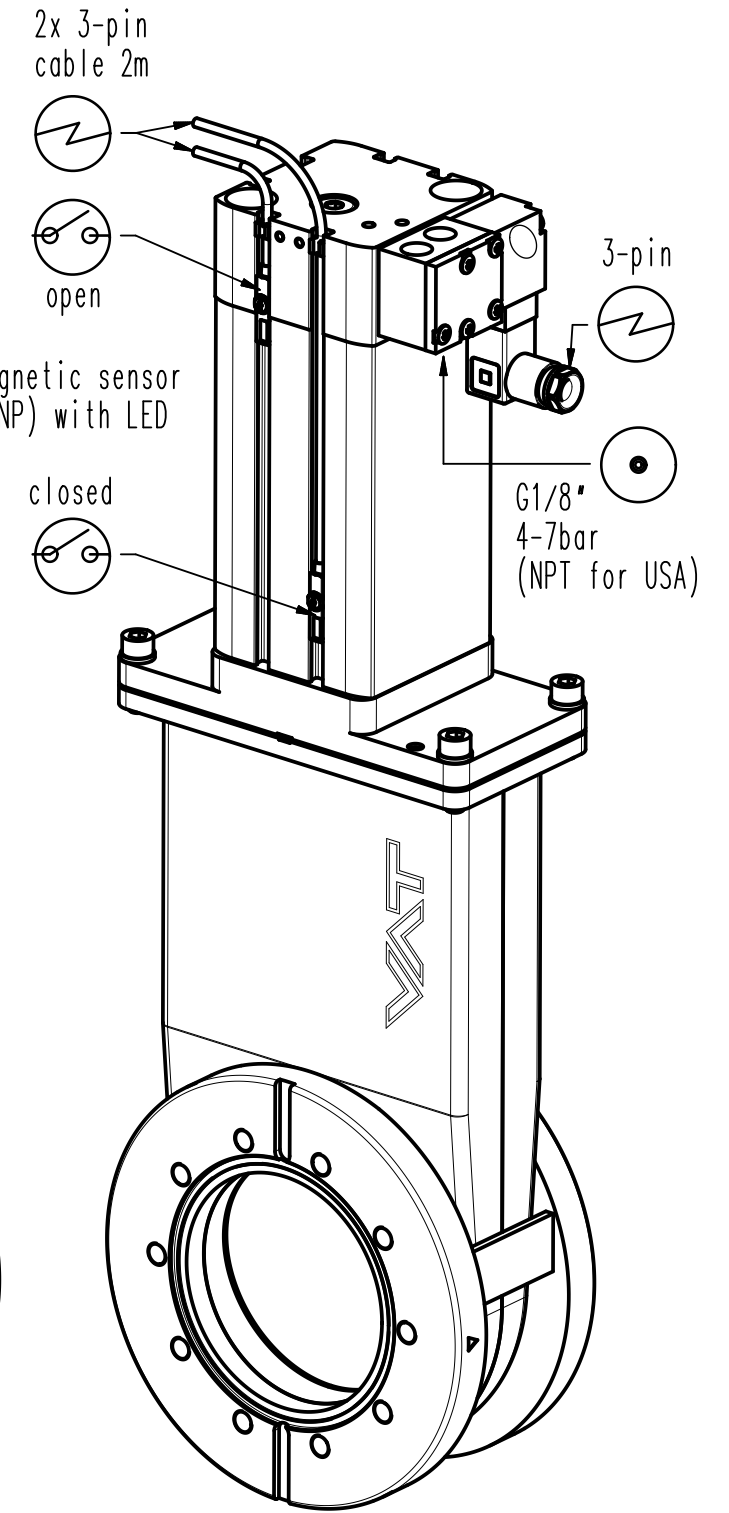
D-side



HV gate valve



B-side



A-(seat)side

- ▼ Seat side
- ⊙ Comp. air connection
- ⊙ Electrical connection
- ⊙ Leak detection port
- ⊙ Mech. pos. indication
- ⊙ Position indicator
- ⊙ Required for dismantling
- ⊙ Emergency actuation
- ⊙ For attachment
- ⊙ Bake-out area
- ⊙ Differential pumping port



VAT Vakuumventile AG
 CH-9469 Haag, Switzerland
 Tel ++41 81 7716161 Fax ++41 81 7714830

Rev.-Date: 29.06.15
 Visa: HUC

Series	091	Ordering No.	09138-CE44-0001
Projection E	DN	Flange	
	80	CF-F m	
Dimensional Drawing	803476		Rev.