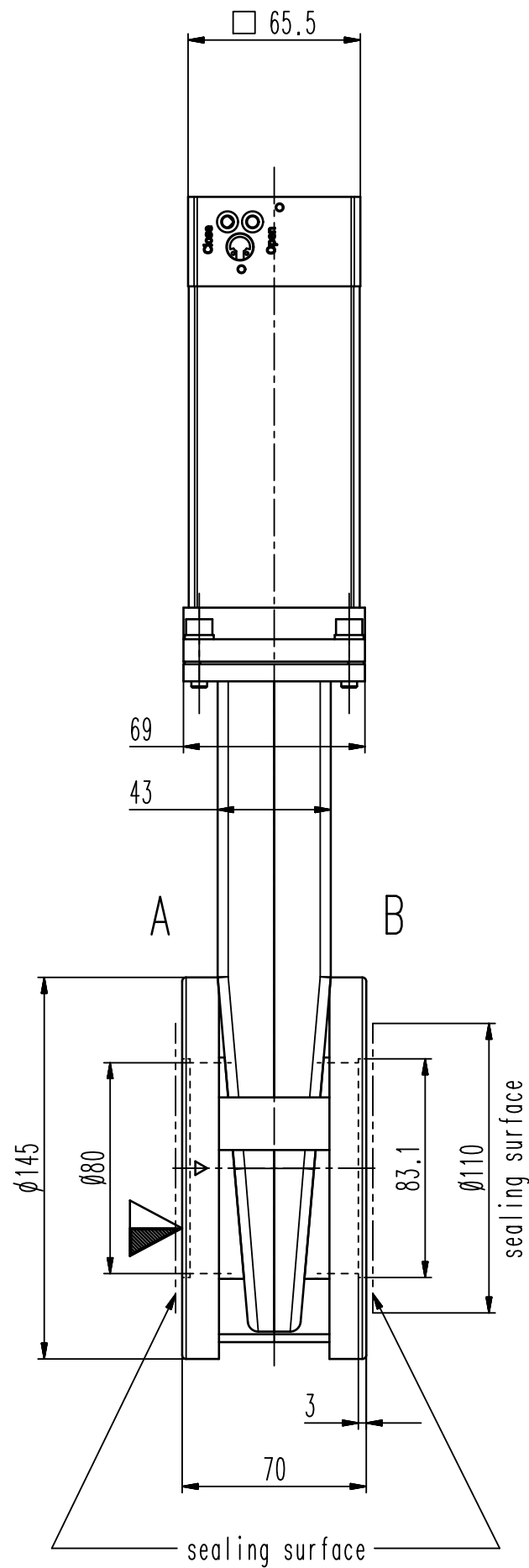


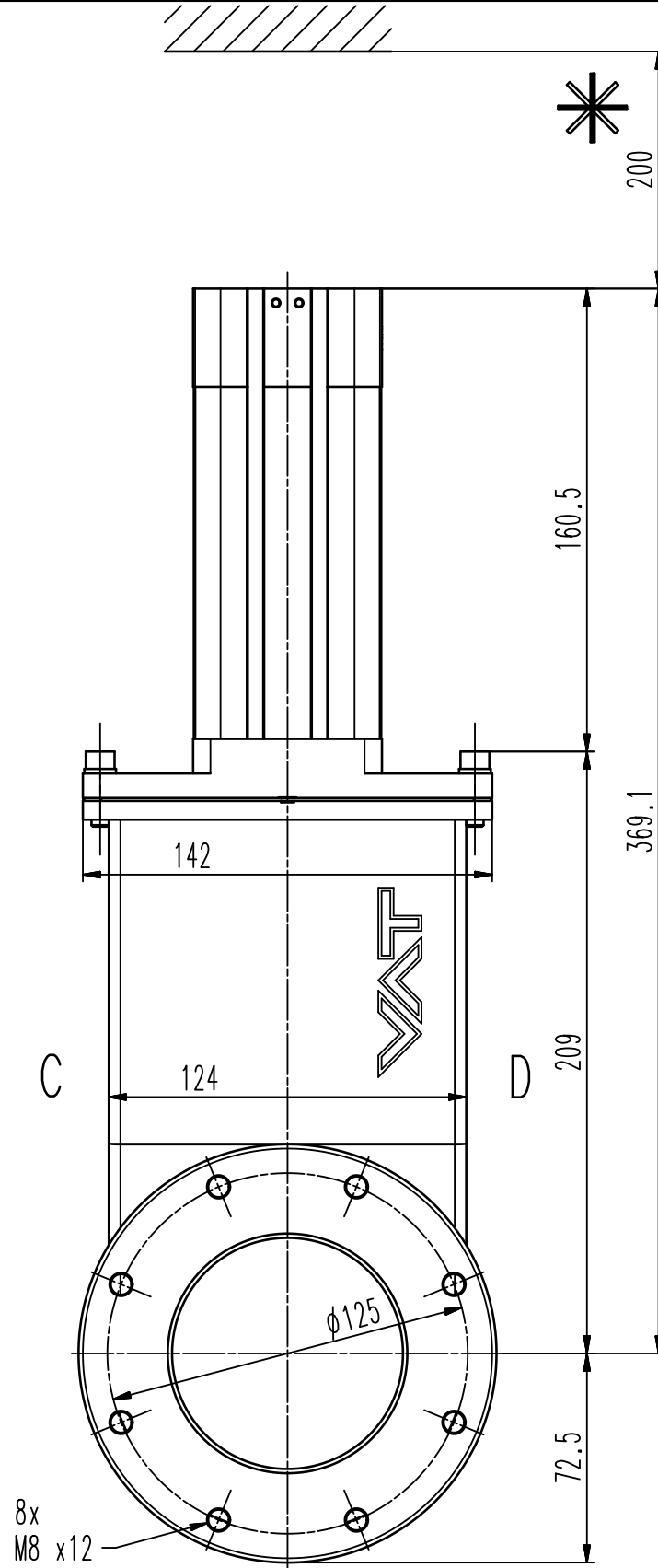
This drawing is the property of VAT.

Revision

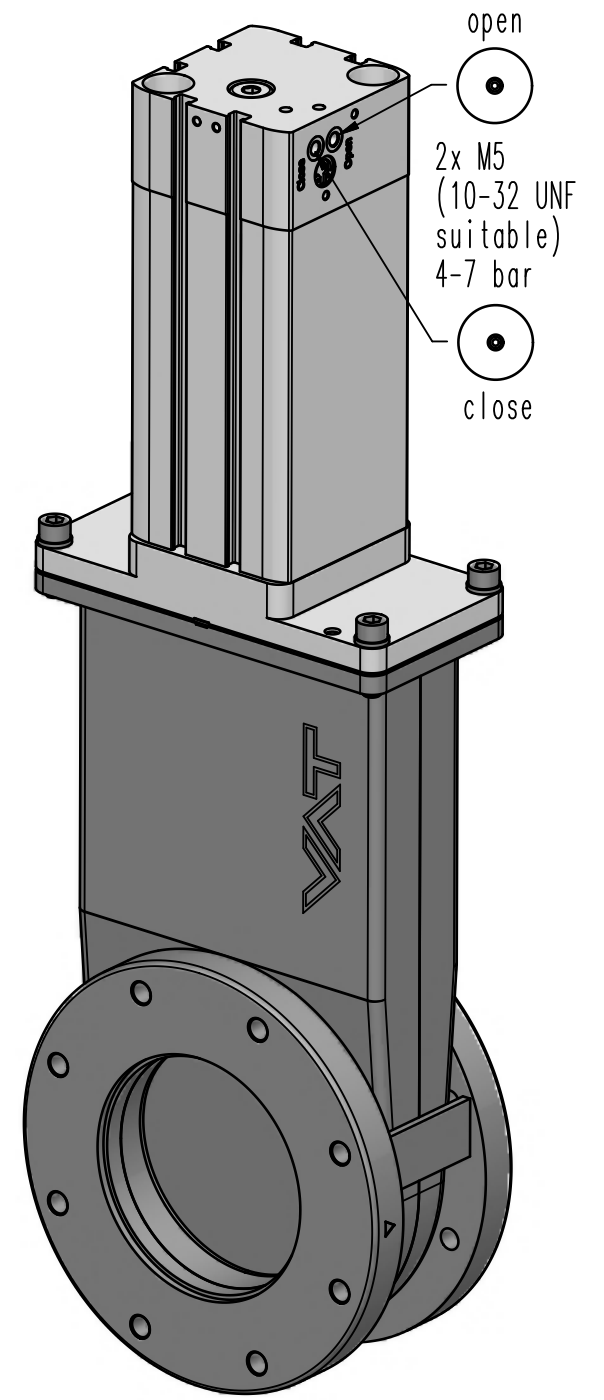
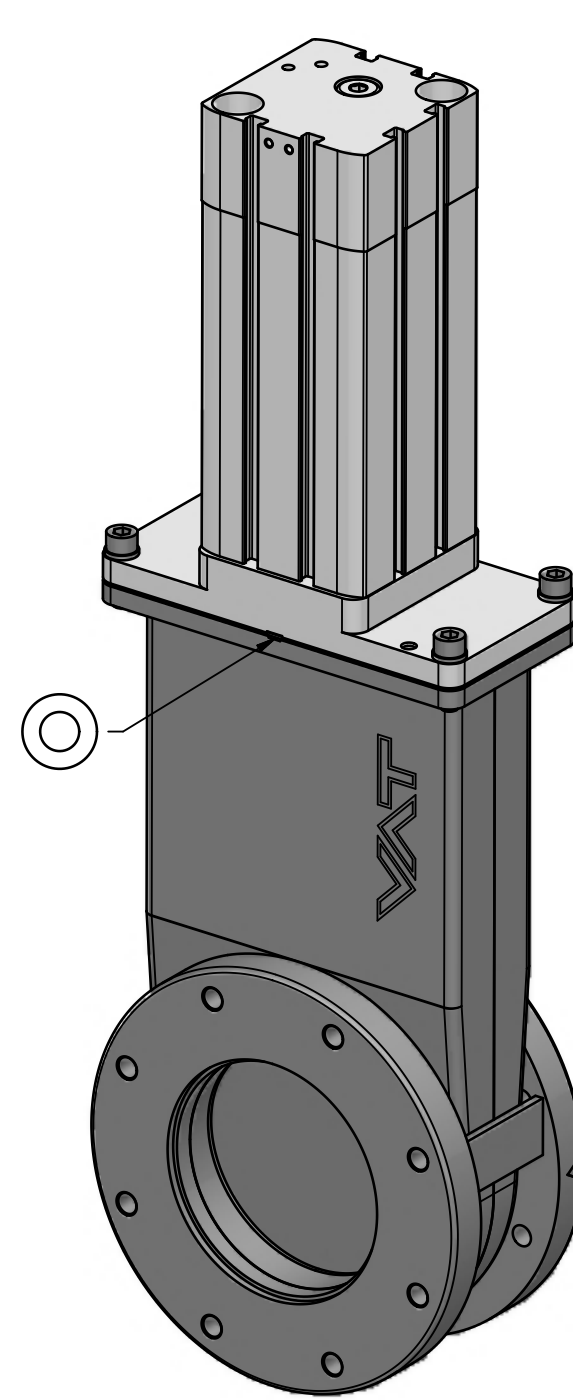
Customer number



D-side



B-side



A-(seat)side

- ▼ Seat side
- ⊙ Comp. air connection
- ⊙ Electrical connection
- ⊙ Leak detection port
- ⊙ Mech. pos. indication
- ⊙ Position indicator
- ⊙ Required for dismantling
- ⊙ Emergency actuation
- ⊙ For attachment
- ⊙ Bake-out area
- ⊙ Differential pumping port

HV gate valve



VAT Vakuumentile AG
CH-9469 Haag, Switzerland
Tel ++41 81 7716161 Fax ++41 81 7714830

Rev.-Date: 13.09.13
Visa: HUC

Series	091	Ordering No.	09138-PE14-0001
Projection E	DN	Flange	
	80	ISO-F	
Dimensional Drawing	709605	Rev.	

open
2x M5
(10-32 UNF
suitable)
4-7 bar
close