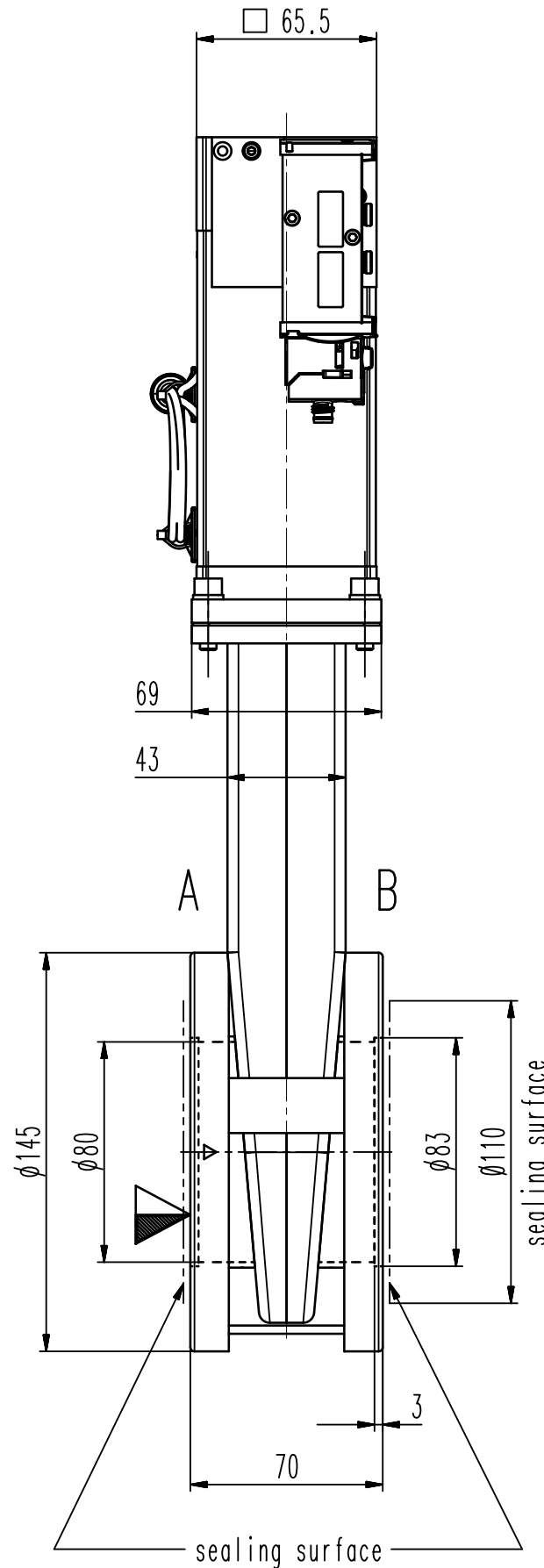


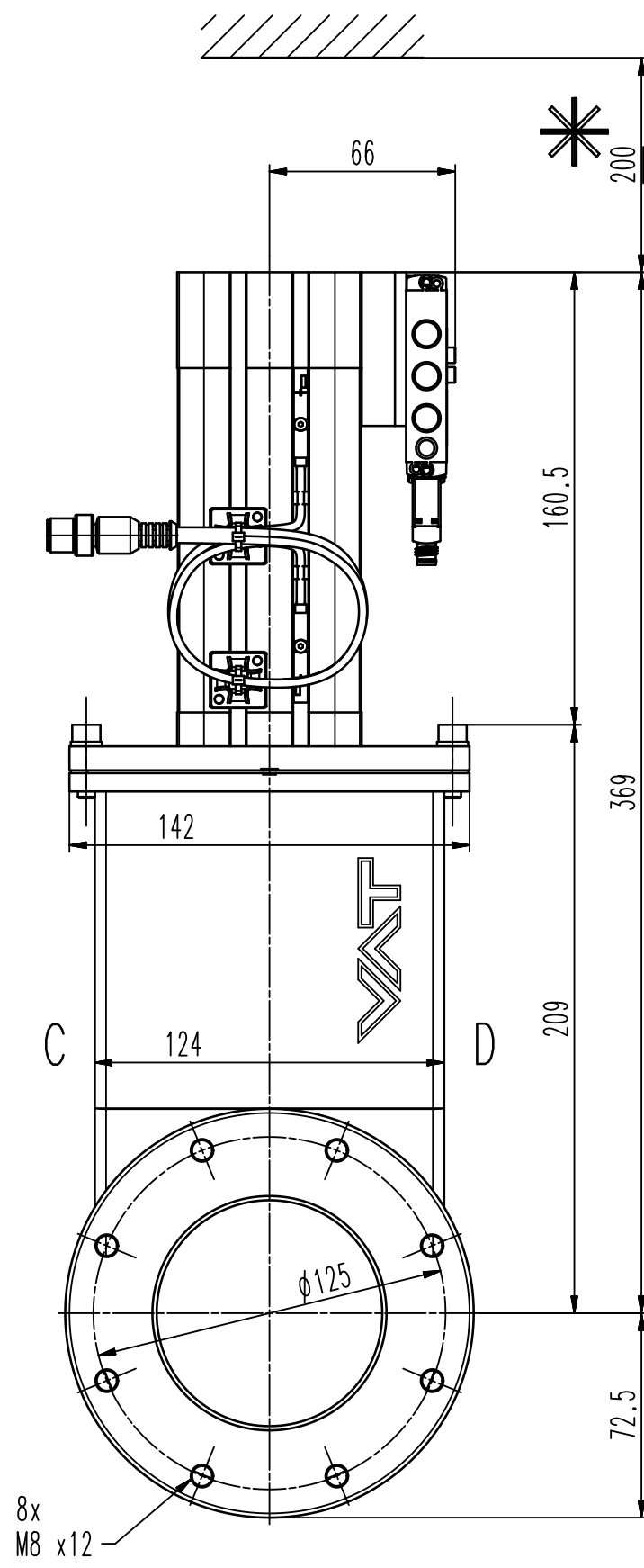
This drawing is the property of VAT.

Revision

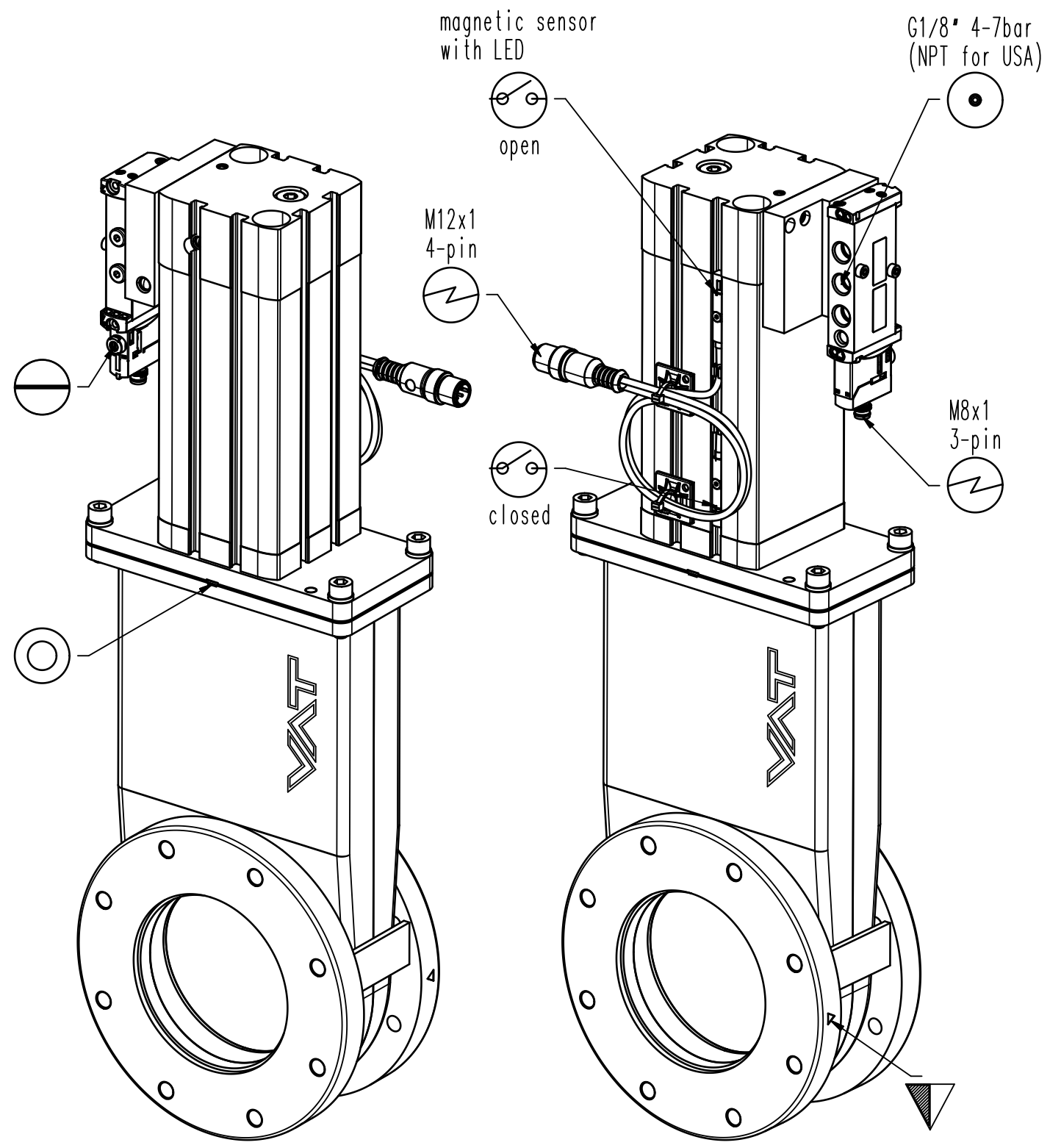
Customer number



D-side



B-side



A-(seat) side

- ▼ Seat side
- ⊙ Comp. air connection
- ⊙ Electrical connection
- ⊙ Leak detection port
- ⊙ Mech. pos. indication
- ⊙ Position indicator
- ⊙ Required for dismantling
- ⊙ Emergency actuation
- ⊙ For attachment
- ⊙ Bake-out area
- ⊙ Differential pumping port

HV gate valve



VAT Vakuumventile AG
 CH-9469 Haag, Switzerland
 Tel ++41 81 7716161 Fax ++41 81 7714830

Rev.-Date: 09.04.21
 Visa: ARS

Series	091	Ordering No.	09138-PE44-0005
Projection E	DN	Flange	
	80	ISO-F	
Dimensional Drawing	1034092	Rev.	A