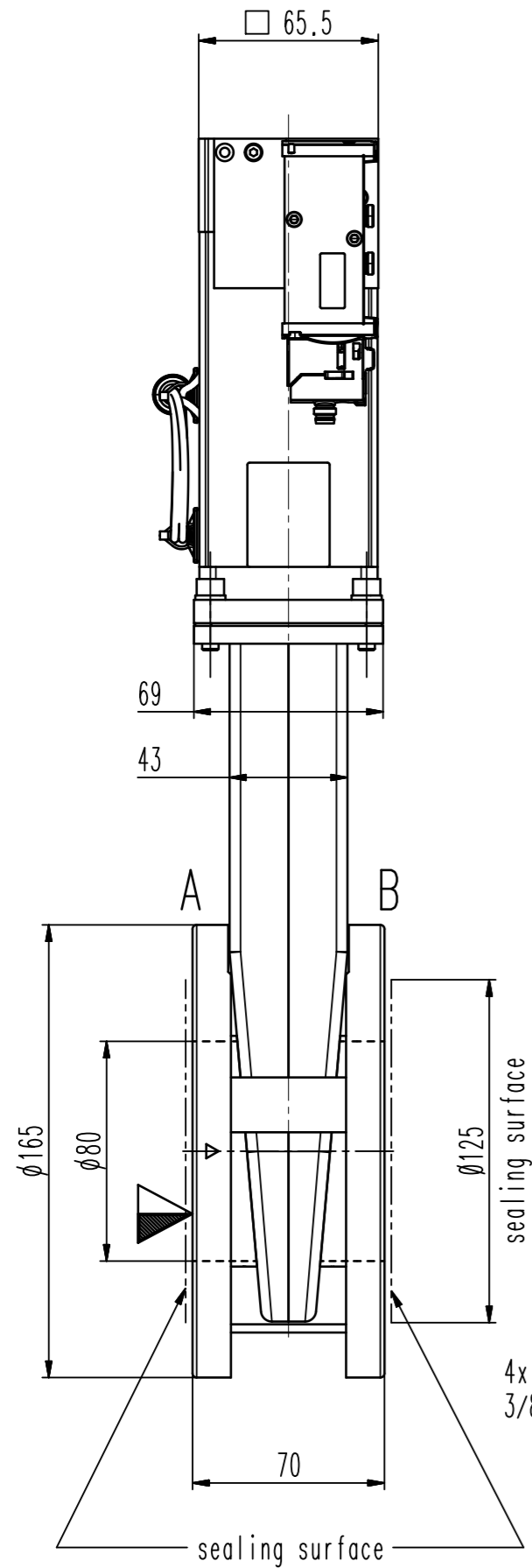


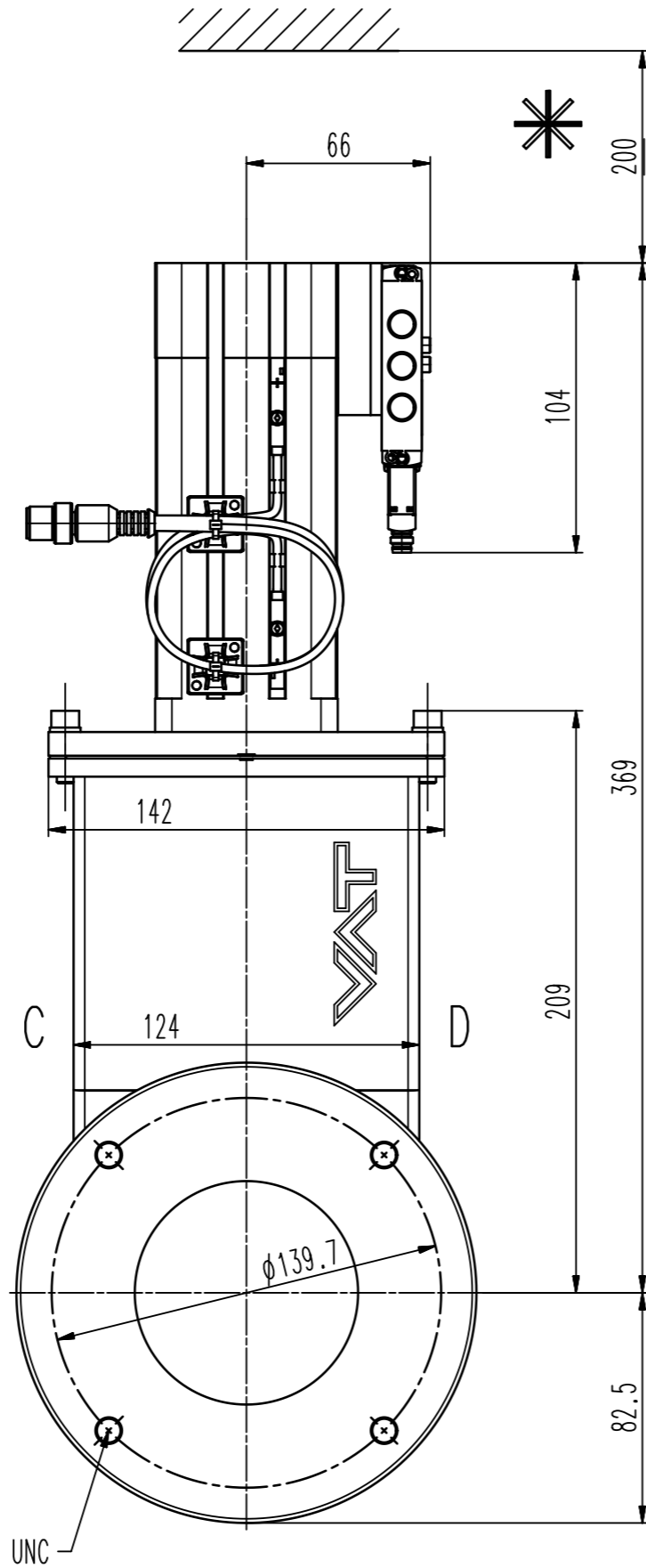
This drawing is the property of VAT.

Revision

Customer number



D-side



200



104

369

209

82.5

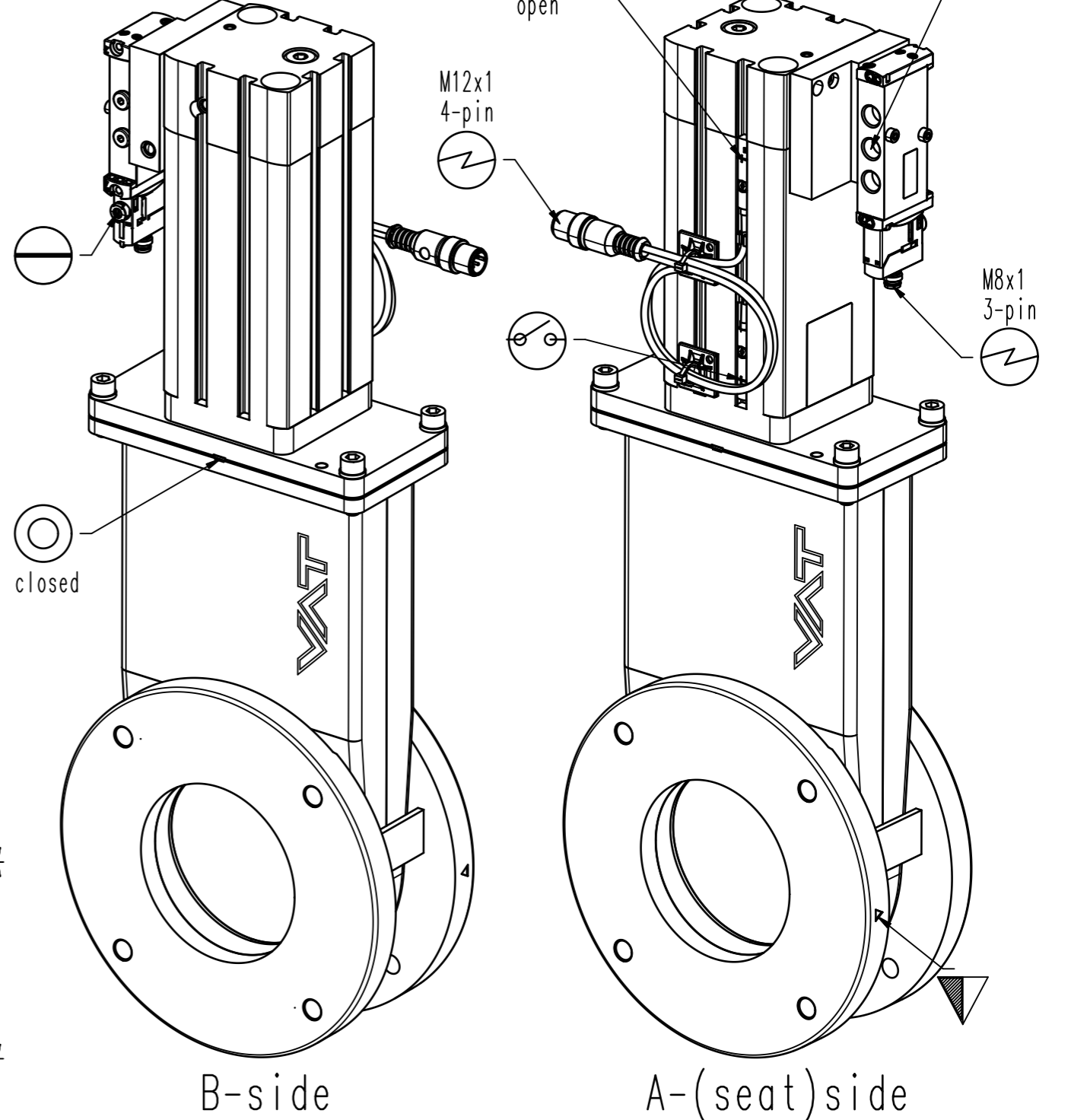
142

124

∅139.7

4x 3/8"-16v UNC

closed



B-side

A-(seat)side

- ▼ Seat side
- ⊙ Comp. air connection
- ⊙ Electrical connection
- ⊙ Leak detection port
- ⊙ Mech. pos. indication
- ⊙ Position indicator
- ⊙ Required for dismantling
- ⊙ Emergency actuation
- ⊙ For attachment
- ⊙ Bake-out area
- ⊙ Differential pumping port

HV gate valve



VAT Vakuumventile AG
 CH-9469 Haag, Switzerland
 Tel ++41 81 7716161 Fax ++41 81 7714830

Rev.-Date: 18.06.21
 Visa: MAEM

Series	091	Ordering No.	09138-TE44-0003
Projection E	DN	Flange	ASA-LP
	80		
Dimensional Drawing	1096492	Rev.	A