



VAT Vakuumventile AG  
CH-9469 Haag, Schweiz

## Product data sheet

### HV gate valve

Series 091, DN 80 (3")

Ordering No. 09138-TE44-0003

### Description

Flange	ASA-LP 80
Actuator	Pneumatic, double acting – with solenoid valve – with position indicator
Feedthrough	Bellows

### Technical data

Leak rate	– Valve body	$< 1 \cdot 10^{-9}$ mbar ls <sup>-1</sup>
	– Valve seat	$< 1 \cdot 10^{-7}$ mbar ls <sup>-1</sup>
Pressure range		$1 \cdot 10^{-8}$ mbar to 1.2 bar (abs)
Differential pressure on the plate		$\leq 1.2$ bar
Differential pressure at actuation	– In opening direction	$\leq 1$ bar <sup>1</sup>
	– In closing direction	$\leq 30$ mbar (1 bar with reduced cycle life) <sup>2</sup>
Conductance (molecular flow)		890 ls <sup>-1</sup>
Cycles until first service		5 000 (unheated and under clean conditions)
Temperature	– Valve body	$\leq 180$ °C
(Maximum values: depending on operating conditions and sealing materials)	– Actuator	$\leq 100$ °C
	– Solenoid valve	$\leq 50$ °C
	– Position indicator	$\leq 70$ °C
Heating and cooling rate		50 °C h <sup>-1</sup>
Material	– Valve body	AISI 304 (1.4301)
	– Gate	AISI 304 (1.4301, 1.4308)
	– Bellows	AISI 633 (AM350)
	– Small parts	A2 Ni-PTFE coated, PEEK
Seal	– Bonnet	FKM
	– Gate	FKM
	– Actuator	FKM, PU
Mounting position		any
Volume of pneumatic actuator		0.21 l / 0.007 ft <sup>3</sup>
Compressed air min. – max. overpressure		4 – 7 bar / 58 – 102 psi
Compressed air connection		G1/8" (NPT for USA)
Actuation time		$\leq 0.4$ s

<sup>1</sup> Differential pressure supports gate to open

<sup>2</sup> Differential pressure supports gate to stay closed. Therefore cycle life reduced due to increased wear of gate seal

Created by: BRR	Release date: 03.11.2021	1/2
Modified by:	Release date:	<b>1132760EA</b>



VAT Vakuumventile AG  
CH-9469 Haag, Schweiz

## Product data sheet

### HV gate valve

Series 091, DN 80 (3")

Ordering No. 09138-TE44-0003

Weight		7.4 kg / 16.3 lbs
Behavior in case of compressed air pressure drop	<ul style="list-style-type: none"> <li>- Valve closed</li> <li>- Valve open</li> <li>- During actuation</li> </ul>	valve remains closed ( $\geq 24h$ ) undefined undefined
Behavior in case of power failure	<ul style="list-style-type: none"> <li>- Valve closed</li> <li>- Valve open</li> <li>- During actuation</li> </ul>	valve remains closed ( $\geq 24h$ ) valve closes valve closes

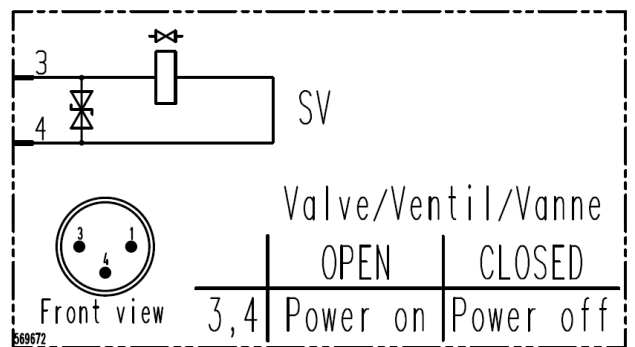
### Related documents

Dimensional drawing No. 1096492

### Electrical connections

#### Solenoid valve

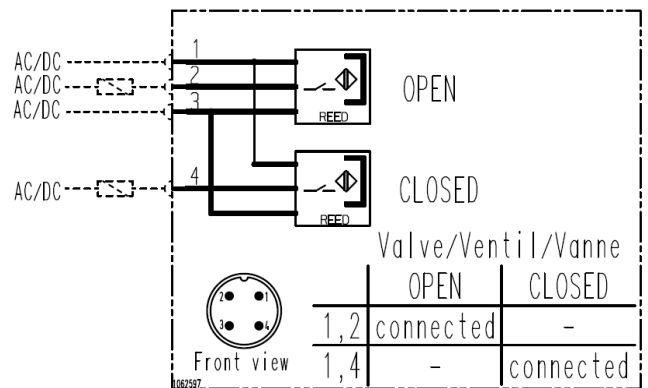
Type 5/2 way  
Voltage 24 V DC



Wiring diagram

#### Position indicator

Type Reed (NO with LED)  
Voltage 24 V AC/DC  
Current max.  $\leq 0.5$  A



Wiring diagram

Created by: BRR	Release date: 03.11.2021	2/2
Modified by:	Release date:	1132760EA