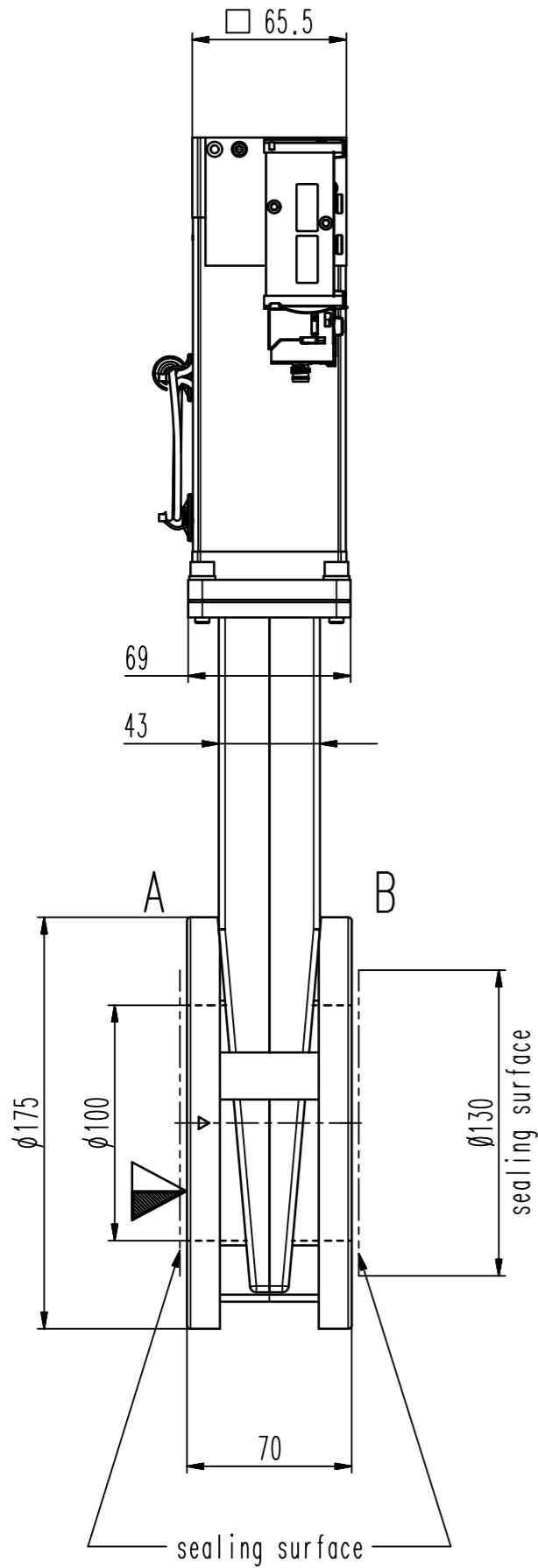


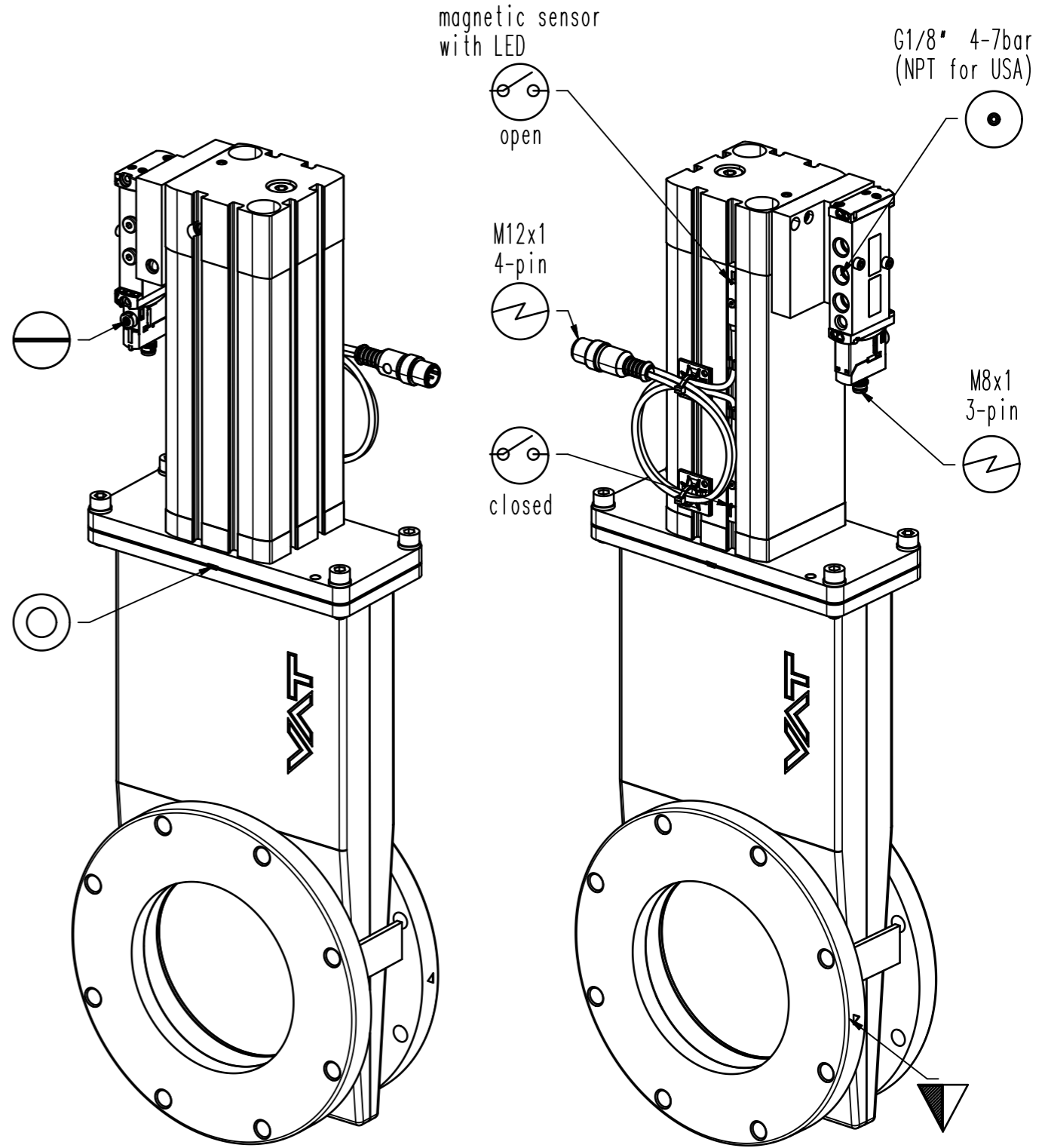
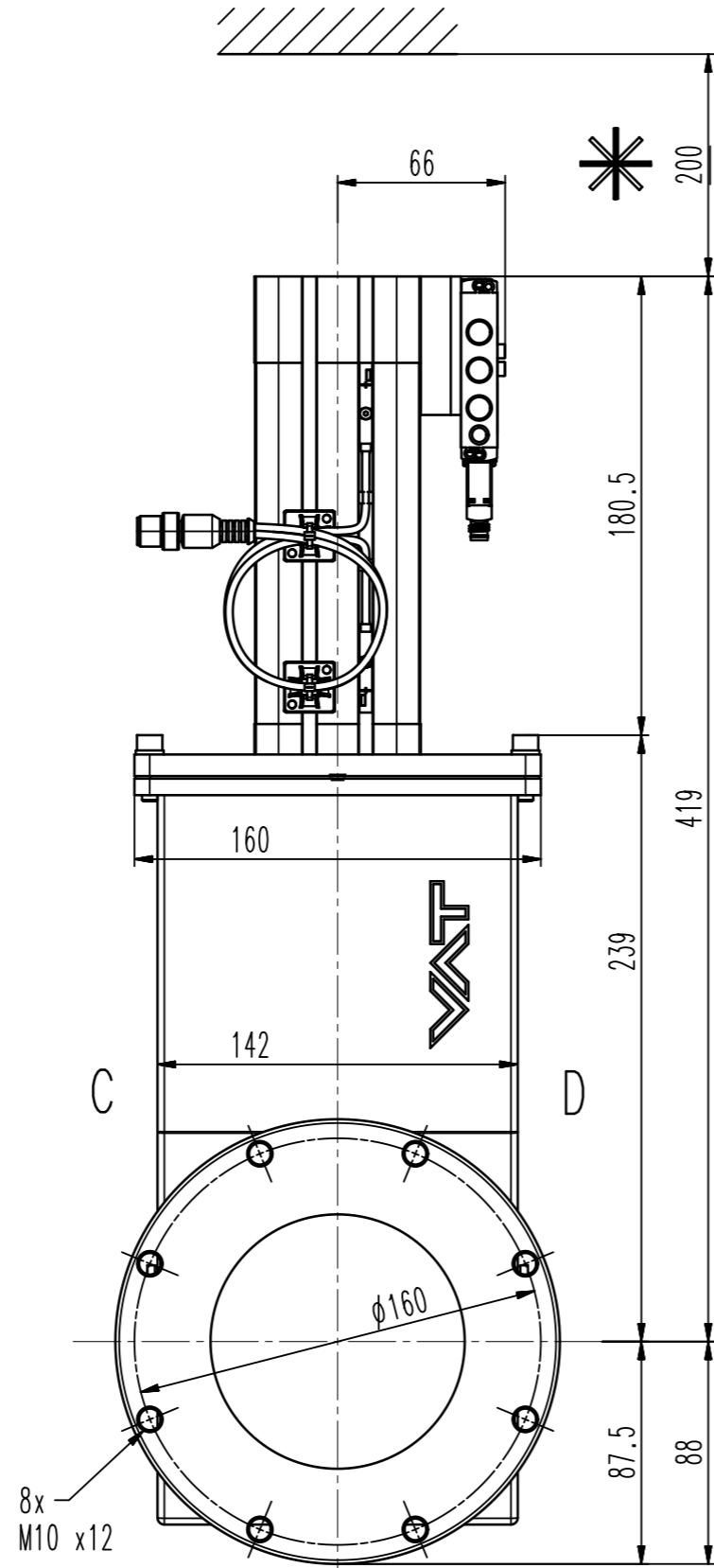
This drawing is the property of VAT.

Revision

Customer number



D-side



B-side

A-(seat)side

- ▼ Seat side
- ⊙ Comp. air connection
- ⊕ Electrical connection
- ⊖ Leak detection port
- ⊗ Mech. pos. indication
- ⊘ Position indicator
- ⊙\* Required for dismantling
- ⊙⊕ Emergency actuation
- ⊙⊖ For attachment
- ⊙⊗ Bake-out area
- ⊙⊘ Differential pumping port

HV gate valve



VAT Vakuumventile AG  
 CH-9469 Haag, Switzerland  
 Tel ++41 81 7716161 Fax ++41 81 7714830

Rev.-Date: 14.10.22  
 Visa: MAEM

|                     |         |        |              |                 |  |
|---------------------|---------|--------|--------------|-----------------|--|
| Series              | 091     |        | Ordering No. | 09140-JE44-0003 |  |
| Projection E        | DN      | Flange |              |                 |  |
|                     | 100     | JIS    |              |                 |  |
| Dimensional Drawing | 1190209 |        | Rev.         | A               |  |