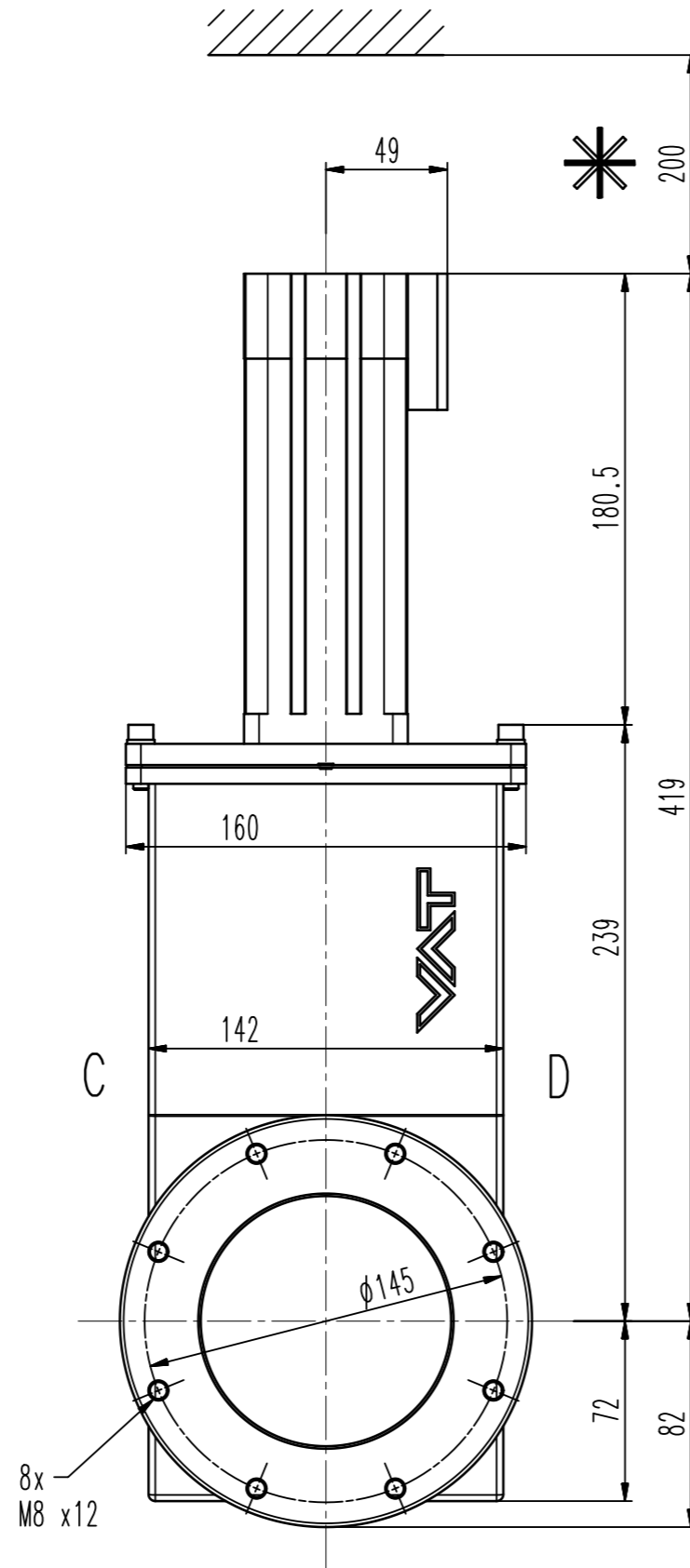
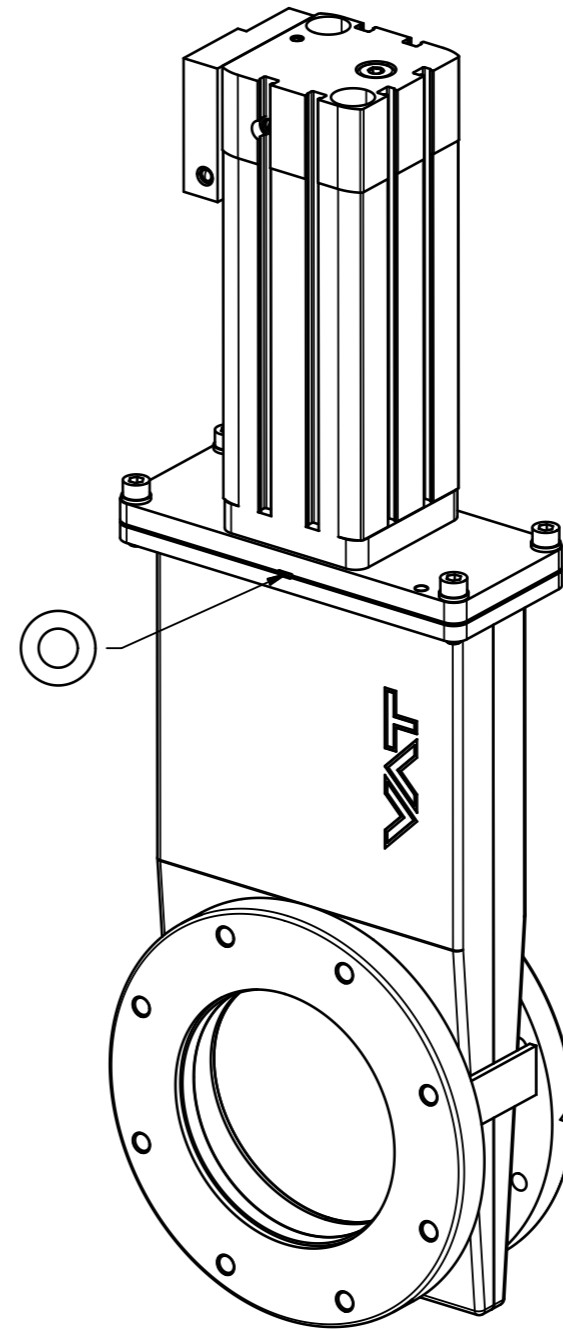


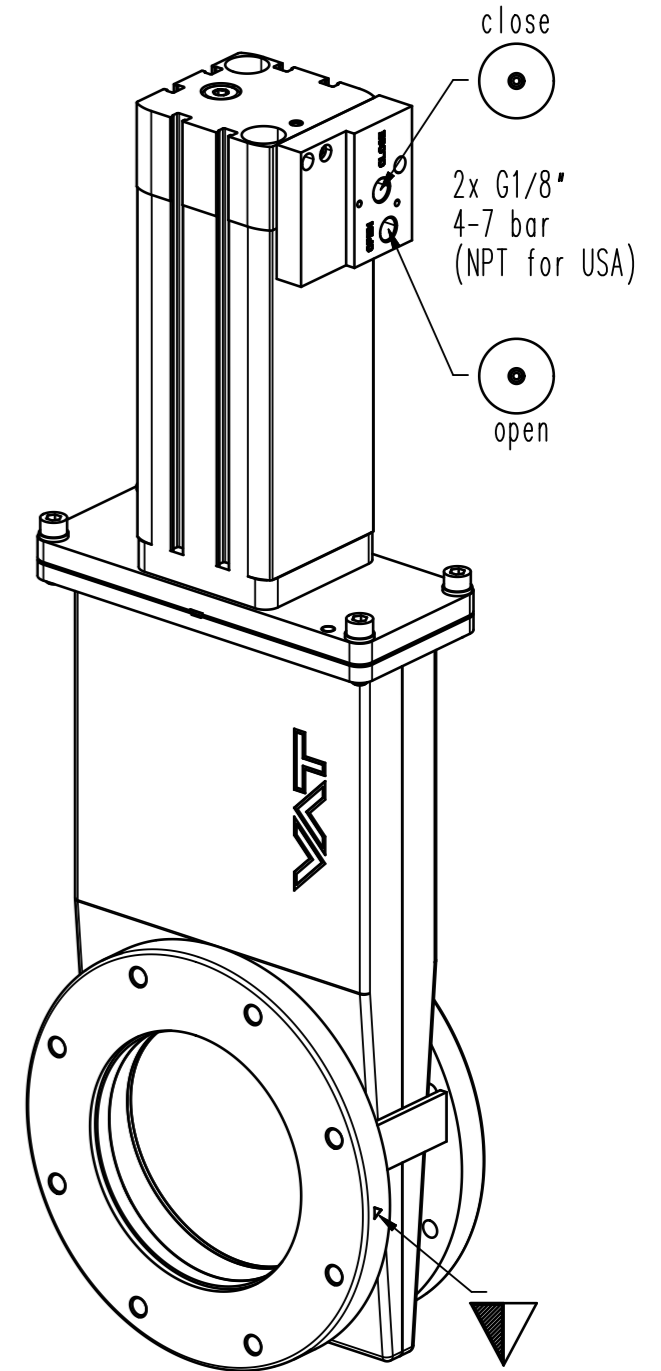
D-side



8x
M8 x12



B-side



A-(seat)side

- ▼ Seat side
- ⊙ Comp. air connection
- ⊕ Electrical connection
- ⊖ Leak detection port
- ⊗ Mech. pos. indication
- ⊘ Position indicator
- ⊙* Required for dismantling
- ⊙* Emergency actuation
- ⊙ For attachment
- ⊙ Bake-out area
- ⊙ Differential pumping port

HV gate valve



VAT Vakuumventile AG
CH-9469 Haag, Switzerland
Tel ++41 81 7716161 Fax ++41 81 7714830

Rev.-Date: 17.06.21
Visa: MAEM

Series	091		Ordering No.	09140-PE14-0003	
Projection E	DN	Flange			
	100	ISO-F			
Dimensional Drawing	1095892		Rev.	A	