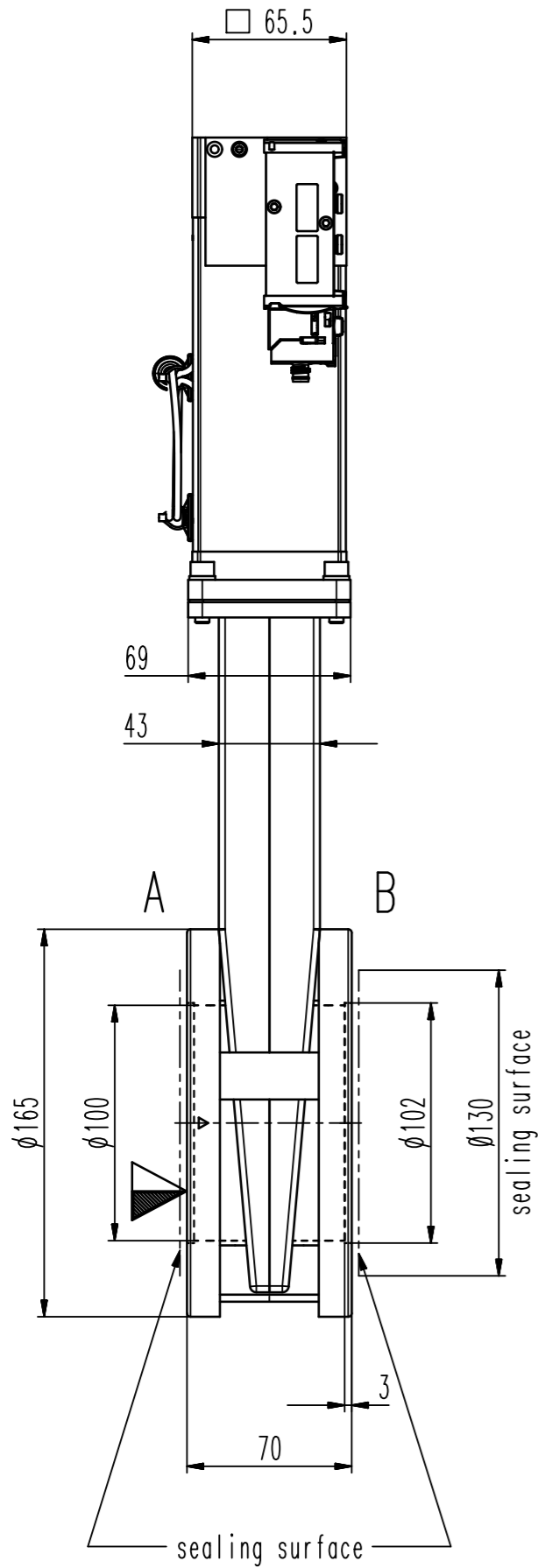


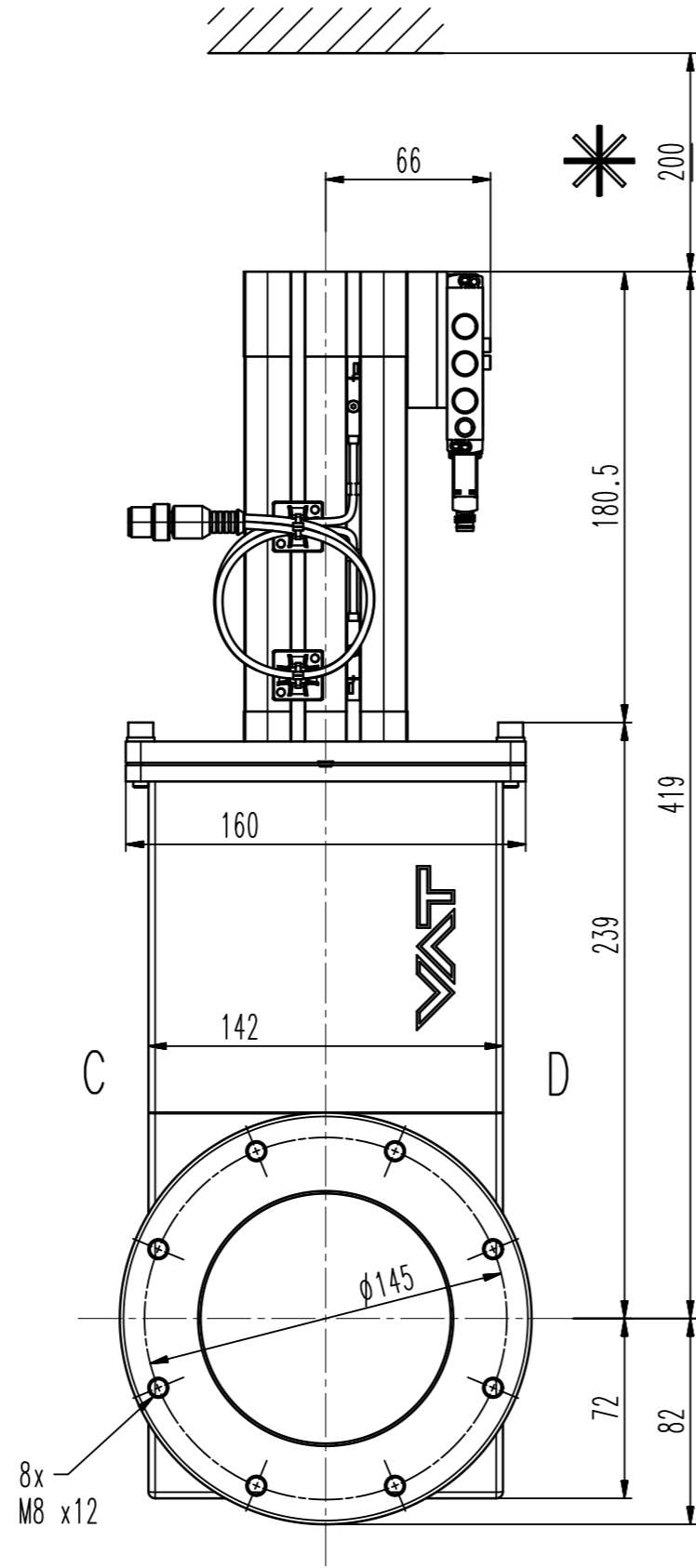
This drawing is the property of VAT.

Revision

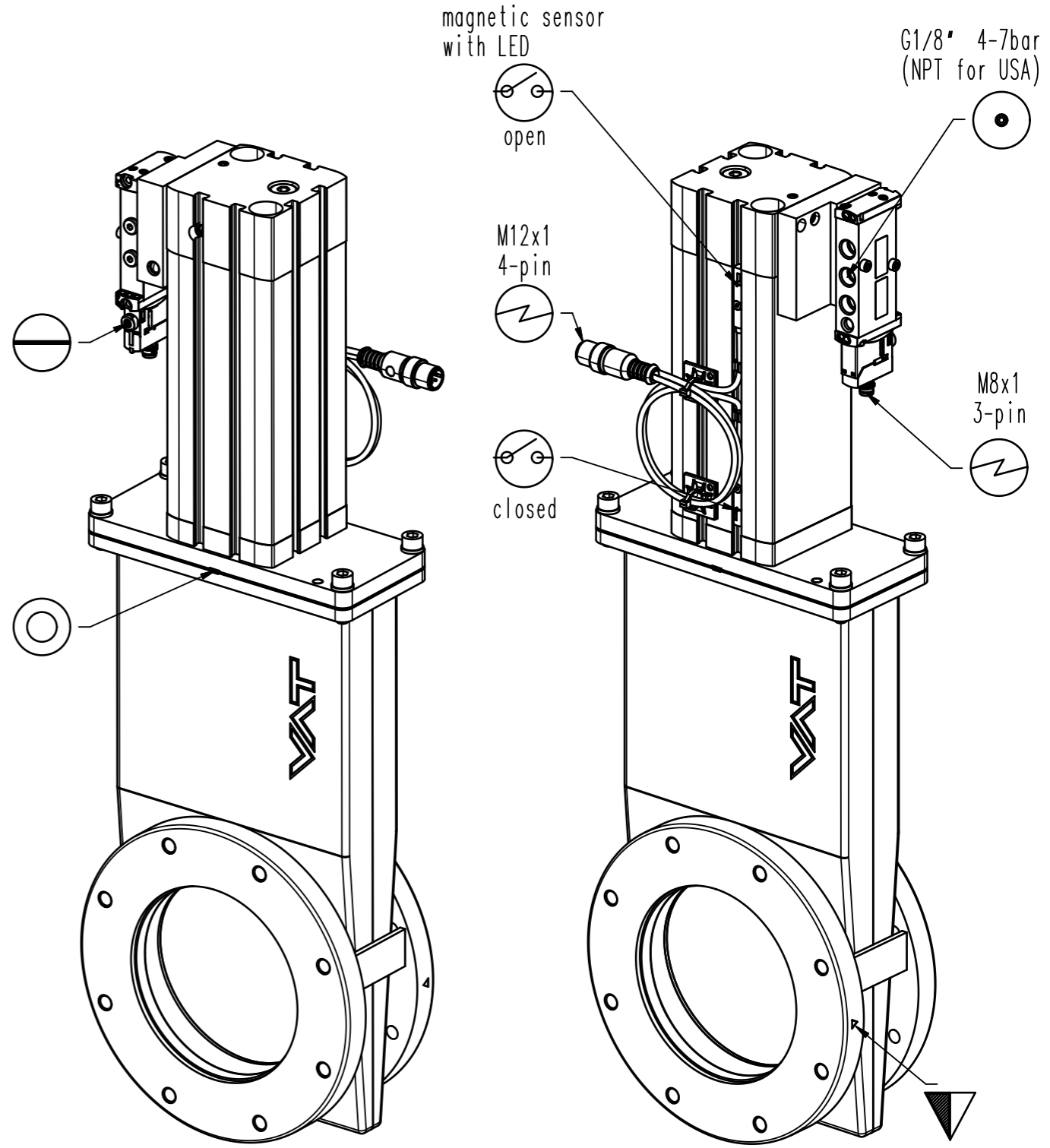
Customer number



D-side



8x  
M8 x12



B-side

A-(seat)side

- ▼ Seat side
- ⊙ Comp. air connection
- ⊕ Electrical connection
- ⊖ Leak detection port
- ⊙ Mech. pos. indication
- ⊙ Position indicator
- ⊙ Required for dismantling
- ⊙ Emergency actuation
- ⊙ For attachment
- ⊙ Bake-out area
- ⊙ Differential pumping port

HV gate valve



VAT Vakuumventile AG  
CH-9469 Haag, Switzerland  
Tel ++41 81 7716161 Fax ++41 81 7714830

Rev.-Date: 09.04.21  
Visa: ARS

Series	091	Ordering No.	09140-PE44-0004
Projection E	DN	Flange	
	100	ISO-F	
Dimensional Drawing	1004850	Rev.	A