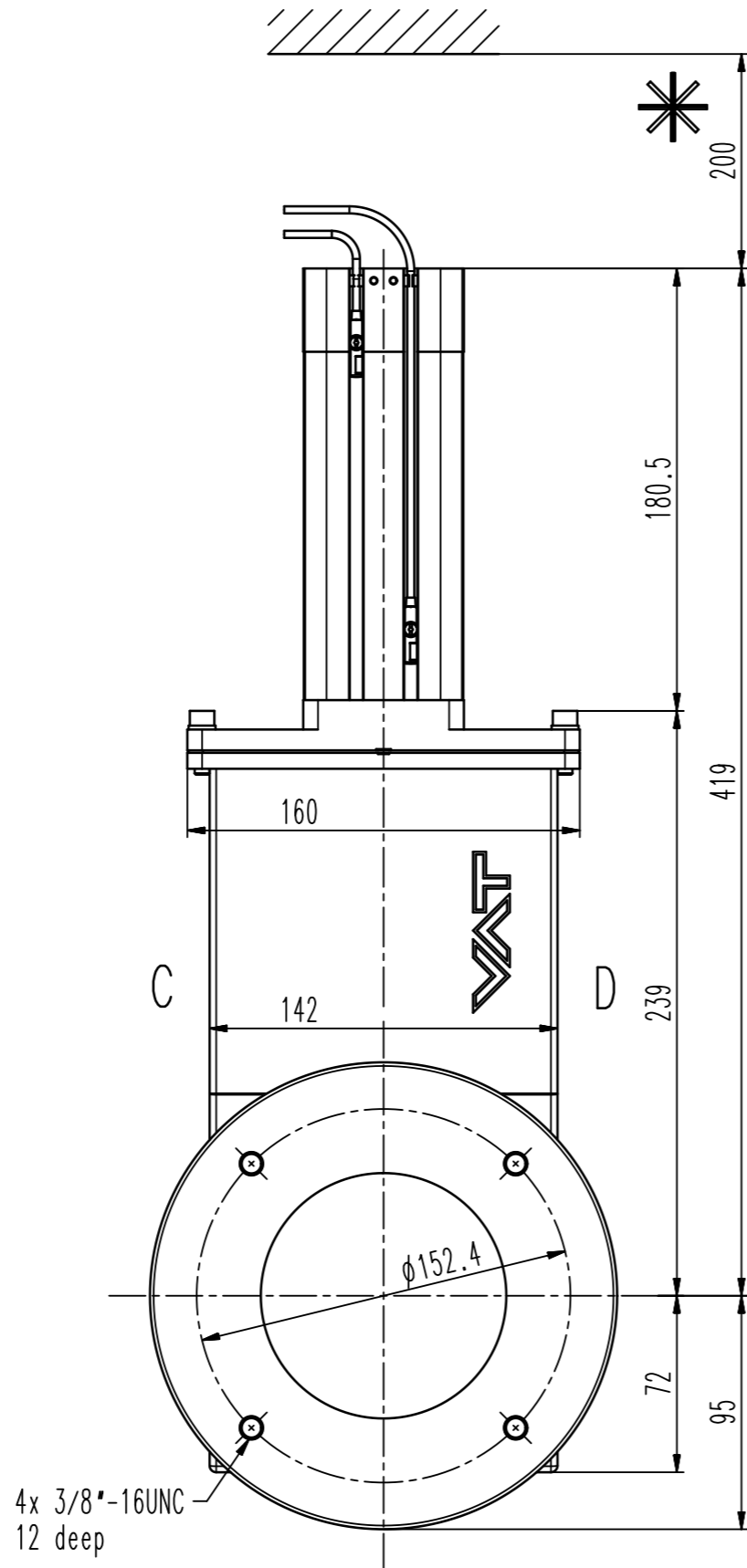
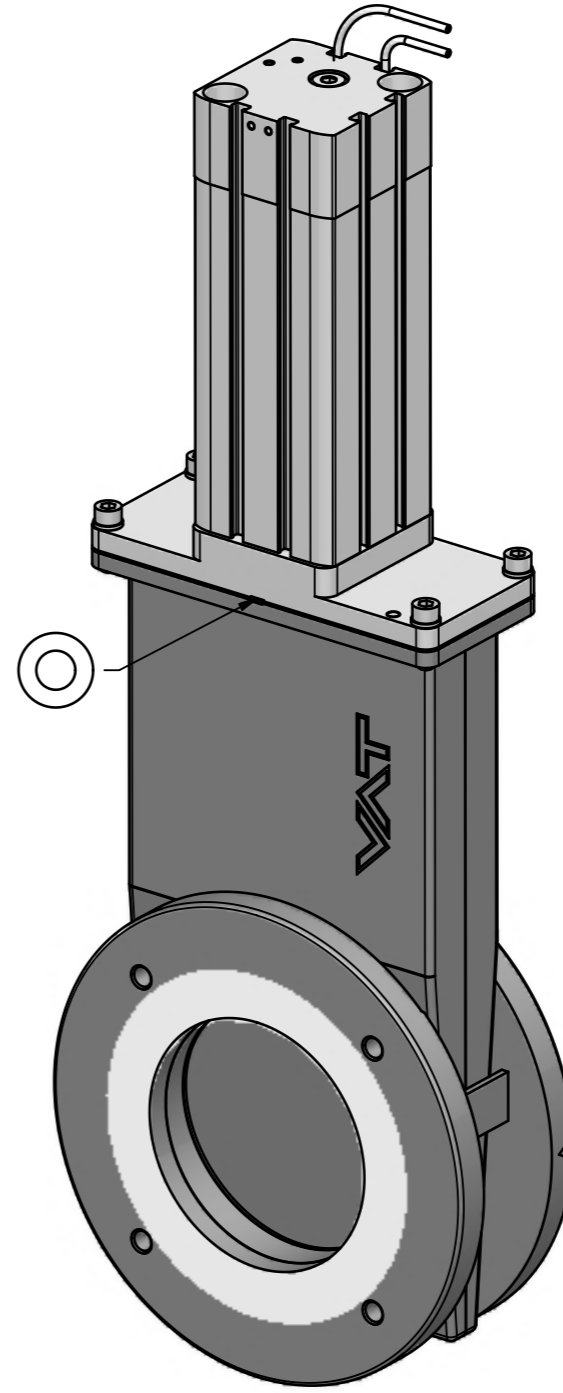


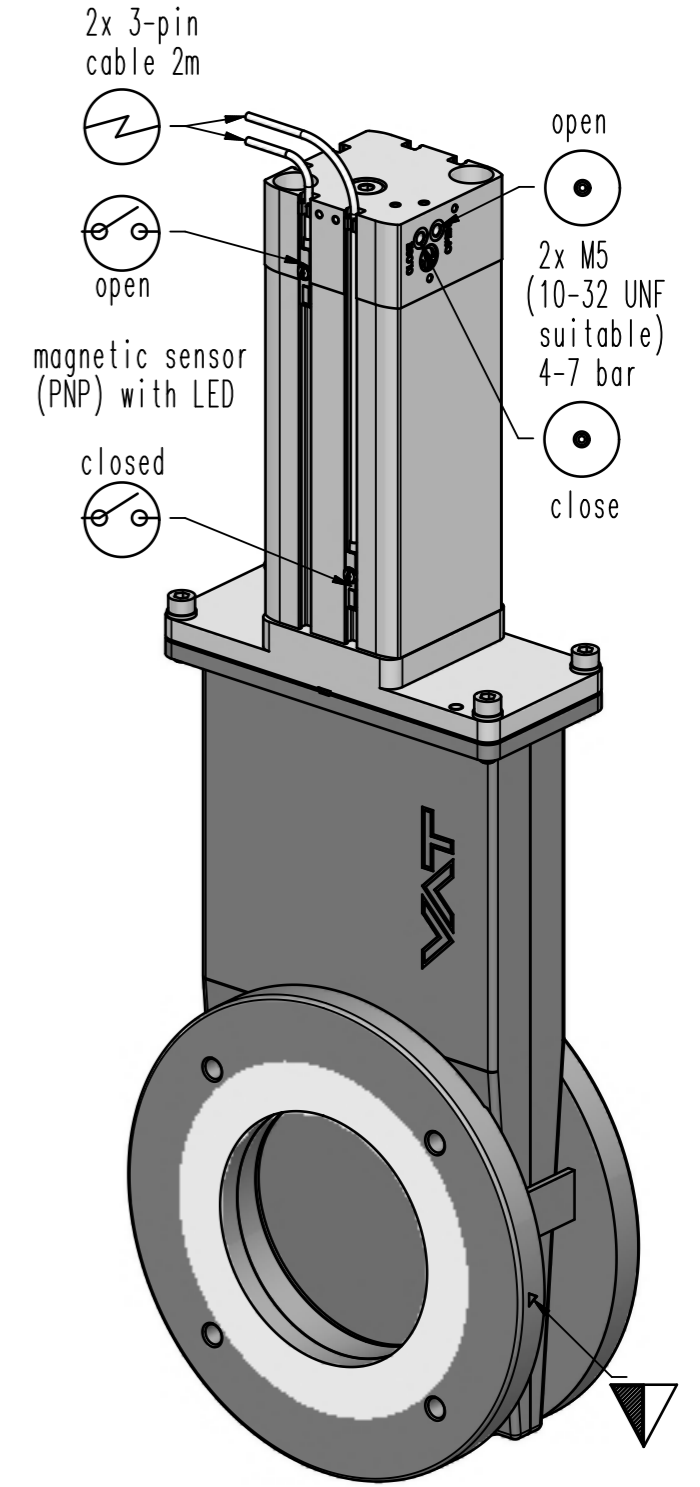
D-side



4x 3/8"-16UNC
12 deep



B-side



A-(seat)side

- ▼ Seat side
- ⊙ Comp. air connection
- ⊙ Electrical connection
- ⊙ Leak detection port
- ⊙ Mech. pos. indication
- ⊙ Position indicator
- ⊙ Required for dismantling
- ⊙ Emergency actuation
- ⊙ For attachment
- ⊙ Bake-out area
- ⊙ Differential pumping port

HV gate valve



VAT Vakuumventile AG
CH-9469 Haag, Switzerland
Tel ++41 81 7716161 Fax ++41 81 7714830

Rev.-Date: 19.02.14
Visa: MAEM

Series	091	Ordering No.	09140-TE24-0002
Projection E	DN	Flange	ASA-LP
	100		
Dimensional Drawing	737482	Rev.	