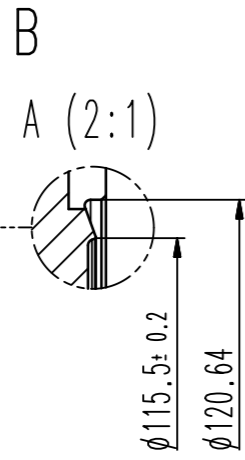
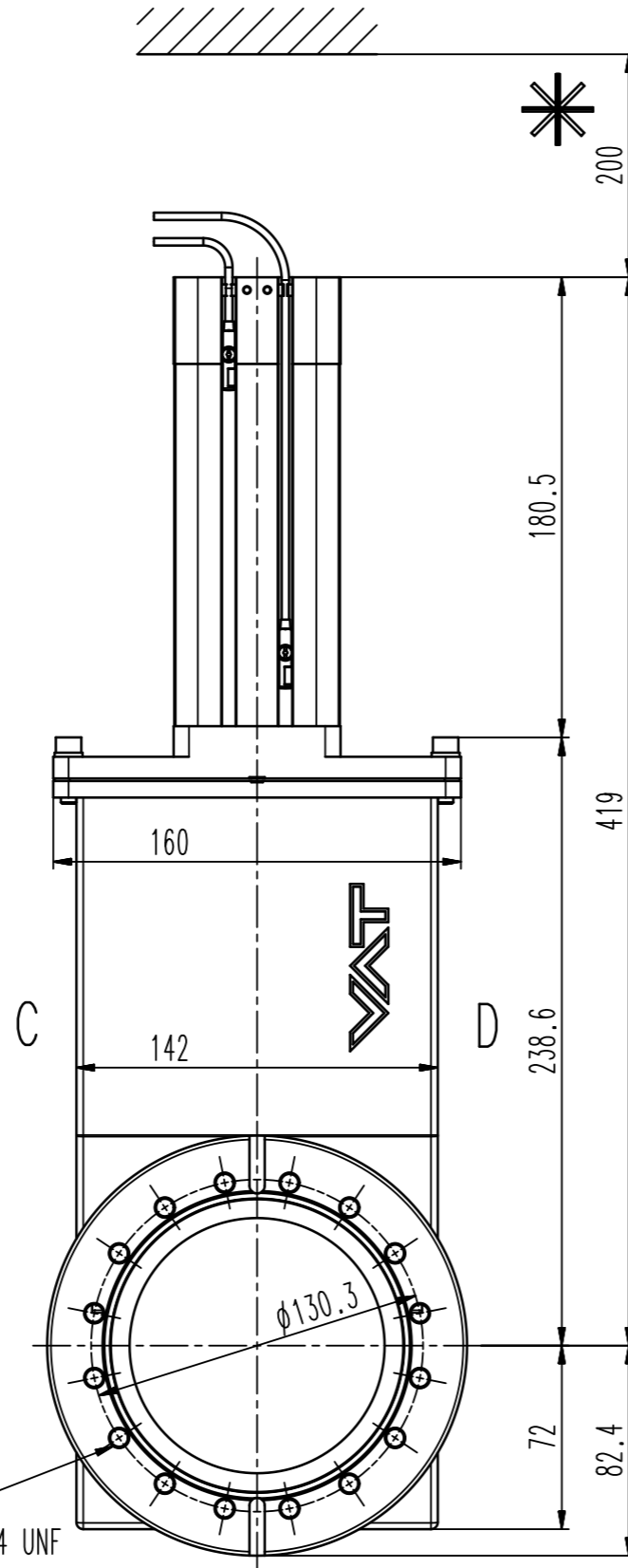


D-side



16x
5/16"-24 UNF

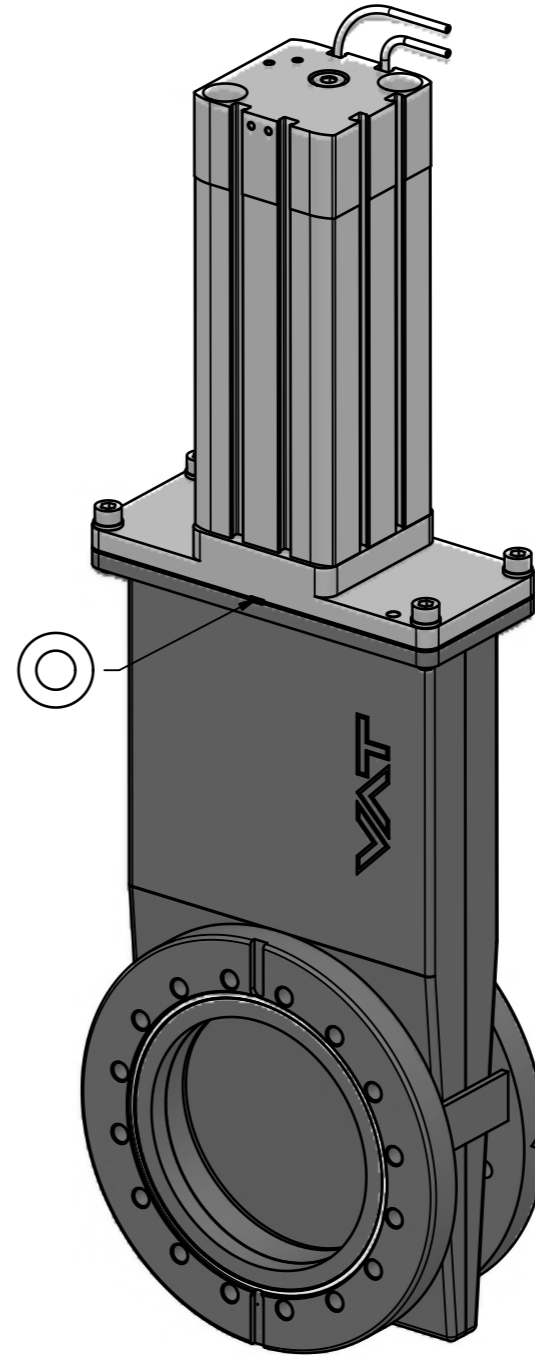


HV gate valve

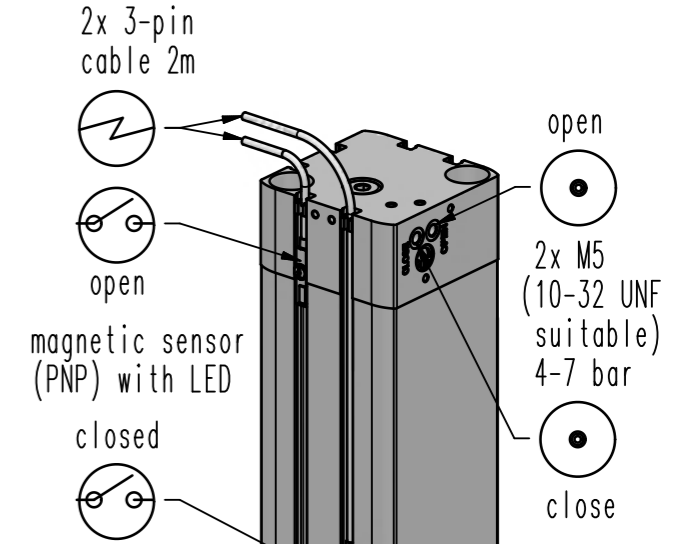


VAT Vakuumentile AG
CH-9469 Haag, Switzerland
Tel ++41 81 7716161 Fax ++41 81 7714830

Rev.-Date: 13.11.14
Visa: MAEM



B-side



A-(seat)side

- ▼ Seat side
- ⊙ Comp. air connection
- ⊙ Electrical connection
- ⊙ Leak detection port
- ⊙ Mech. pos. indication
- ⊙ Position indicator
- ⊙ Required for dismantling
- ⊙ Emergency actuation
- ⊙ For attachment
- ⊙ Bake-out area
- ⊙ Differential pumping port

Series	091	Ordering No.	09140-UE24-0003
Projection E	DN	Flange	
	100	CF-F UNF	
Dimensional Drawing	776557	Rev.	