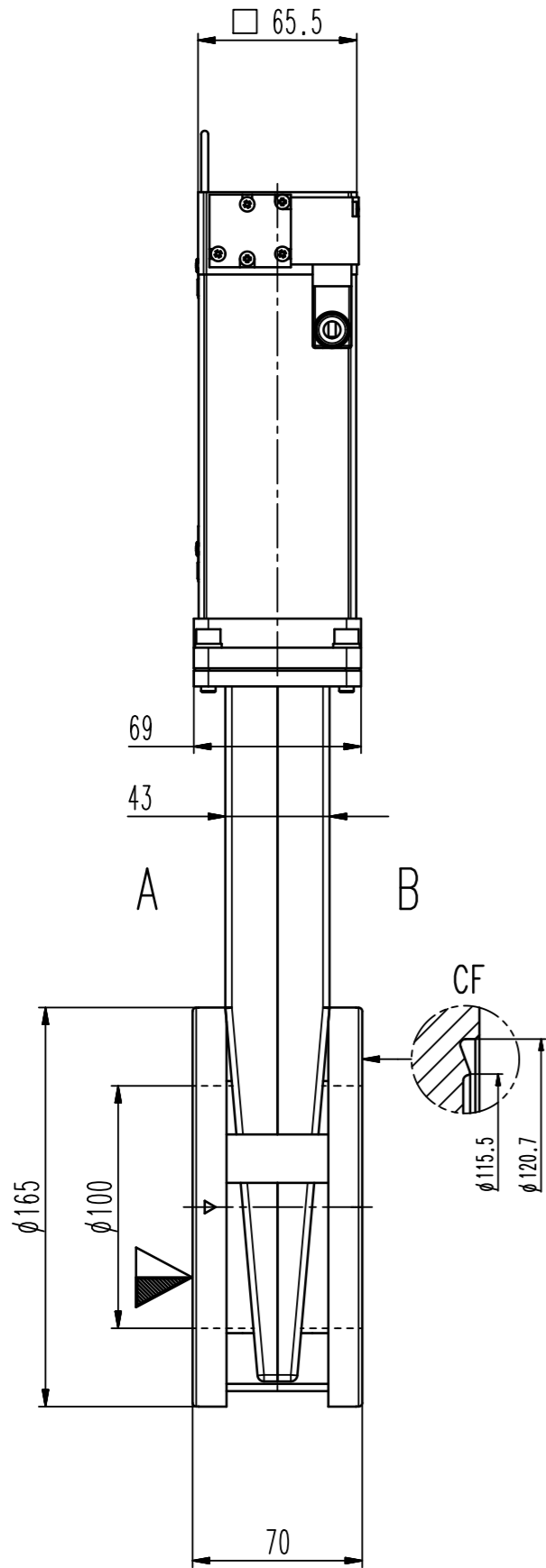


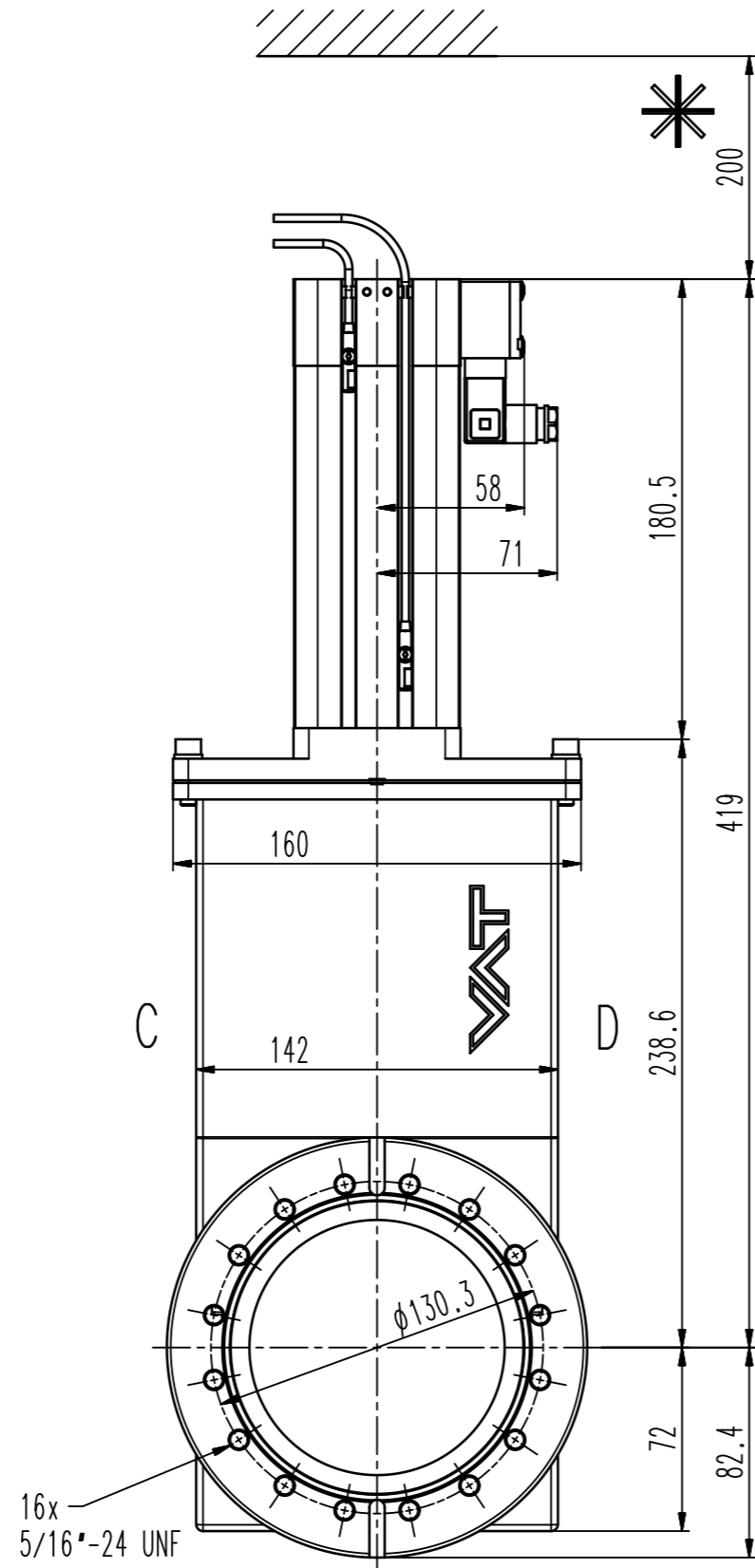
This drawing is the property of VAT.

Revision

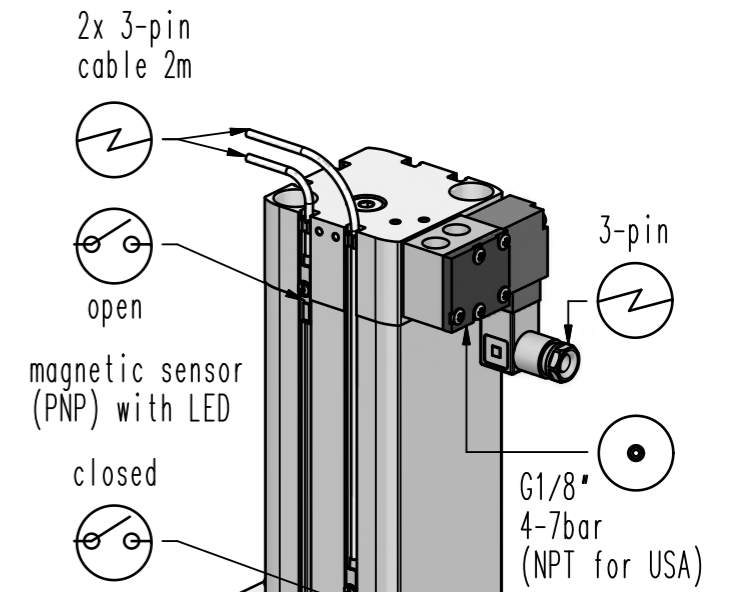
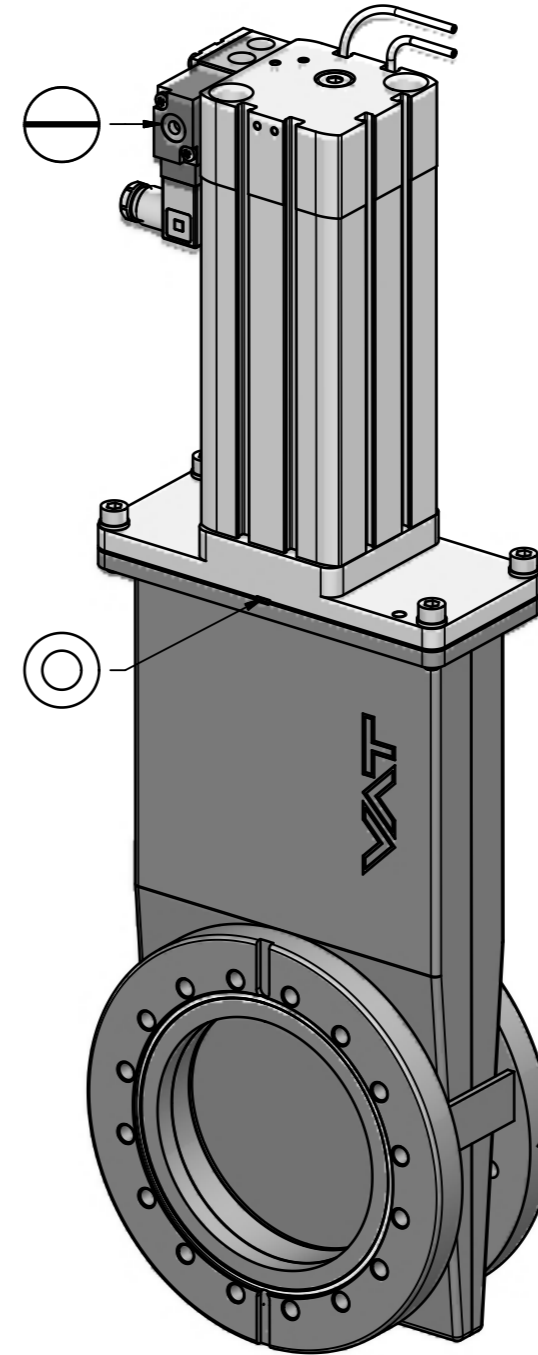
Customer number



D-side



B-side



A-(seat)side

- ▼ Seat side
- ⊙ Comp. air connection
- ⊙ Electrical connection
- ⊙ Leak detection port
- ⊙ Mech. pos. indication
- ⊙ Position indicator
- ⊙ Required for dismantling
- ⊙ Emergency actuation
- ⊙ For attachment
- ⊙ Bake-out area
- ⊙ Differential pumping port

HV gate valve



VAT Vakuumventile AG  
CH-9469 Haag, Switzerland  
Tel ++41 81 7716161 Fax ++41 81 7714830

Rev.-Date: 11.09.14  
Visa: MAEM

Series	091	Ordering No.	09140-UE44-0002
Projection E	DN	Flange	
	100	CF-F UNF	
Dimensional Drawing	709842	Rev.	A