



VAT Vakuumventile AG
CH-9469 Haag, Schweiz

Product data sheet

HV gate valve, Series 091, DN 160 (ID 6'')

Ordering No. 09144-CE08

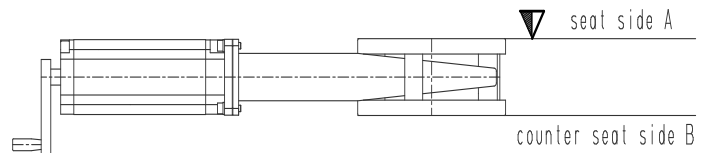
Description

Flange	CF-F 160
Actuator	Manual actuator with position indicator, detachable handle, self-locking in any position
Number of turns needed for full stroke	41 Turns
Feedthrough	Bellows feedthrough

Technical Data

Leak rate	
- Valve body	$< 1 \cdot 10^{-9} \text{ mbar ls}^{-1}$
- Valve seat	$< 1 \cdot 10^{-7} \text{ mbar ls}^{-1}$
Molecular flow conductance	5'000 ls^{-1}
Pressure range	$1 \cdot 10^{-9} \text{ mbar}$ to 1.2 bar (abs)
Differential pressure on the gate - in closing and opening direction	$\leq 1.2 \text{ bar}$

Max. differential pressure at opening
in closing and opening direction
with influence to the cycle life



Higher pressure on seat side A, the differential pressure acts in opening direction	$\leq 1.0 \text{ bar}$ with full cycle life
Higher pressure on counter seat side B, the differential pressure acts in closing direction	$\leq 30 \text{ mbar}$ with full cycle life
Higher pressure on counter seat side B, the differential pressure acts in closing direction	$\leq 1.0 \text{ bar}$ with reduced cycle life
Cycles until first service	5'000 (unheated and under clean conditions)
Bellows cycles	100'000 (unheated and under clean conditions)
Bake-out temperature	
- Valve body	$\leq 150^\circ\text{C}$ (bake-out max. 24h)
- Actuator	$\leq 100^\circ\text{C}$
- Position indicator	$\leq 60^\circ\text{C}$

Editor: Dobler Thomas	Date: 31/05/2021	Page 1 of 2
Replaced by	Replacement for	267945EA
Modification No.	Modification No.	



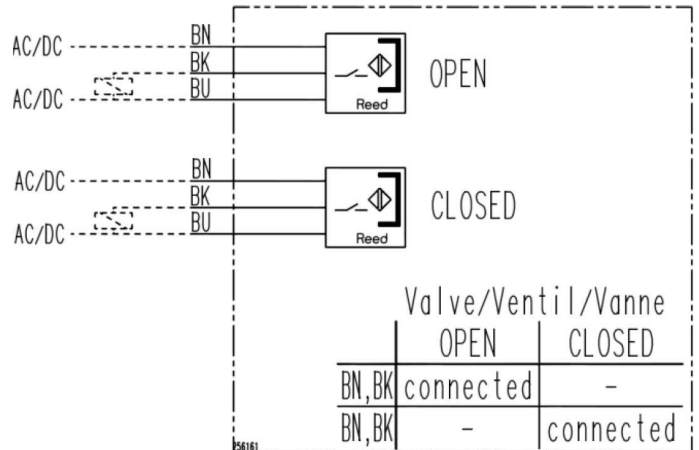
VAT Vakuumventile AG
CH-9469 Haag, Schweiz

Product data sheet
HV gate valve, Series 091, DN 160 (ID 6")
Ordering No. 09144-CE08

Heating and cooling rate	≤ 50°C h ⁻¹
Material	
- Valve body	AISI 304 (1.4301)
- Bonnet	EN AW-5083 (3.3547)
- Gate	AISI 304 (1.4301), (1.4308)
- Small parts (in contact with media)	A2 Ni-Teflon coated, PEEK
- Bellows	AISI 633, (AM350)
Seal	
- Bonnet	FPM (Viton)
- Gate	FPM (Viton)
- Actuator	FPM (Viton)
Mounting position	any
Weight	approx. 15.1 kg / 33.3 lbs

Position Indicator

Type	Reed
Voltage	10 - 30 V DC
Current max.	≤ 0.5 A



Wiring diagram

Editor: Dobler Thomas	Date: 31/05/2021	Page 2 of 2
Replaced by	Replacement for	267945EA
Modification No.	Modification No.	