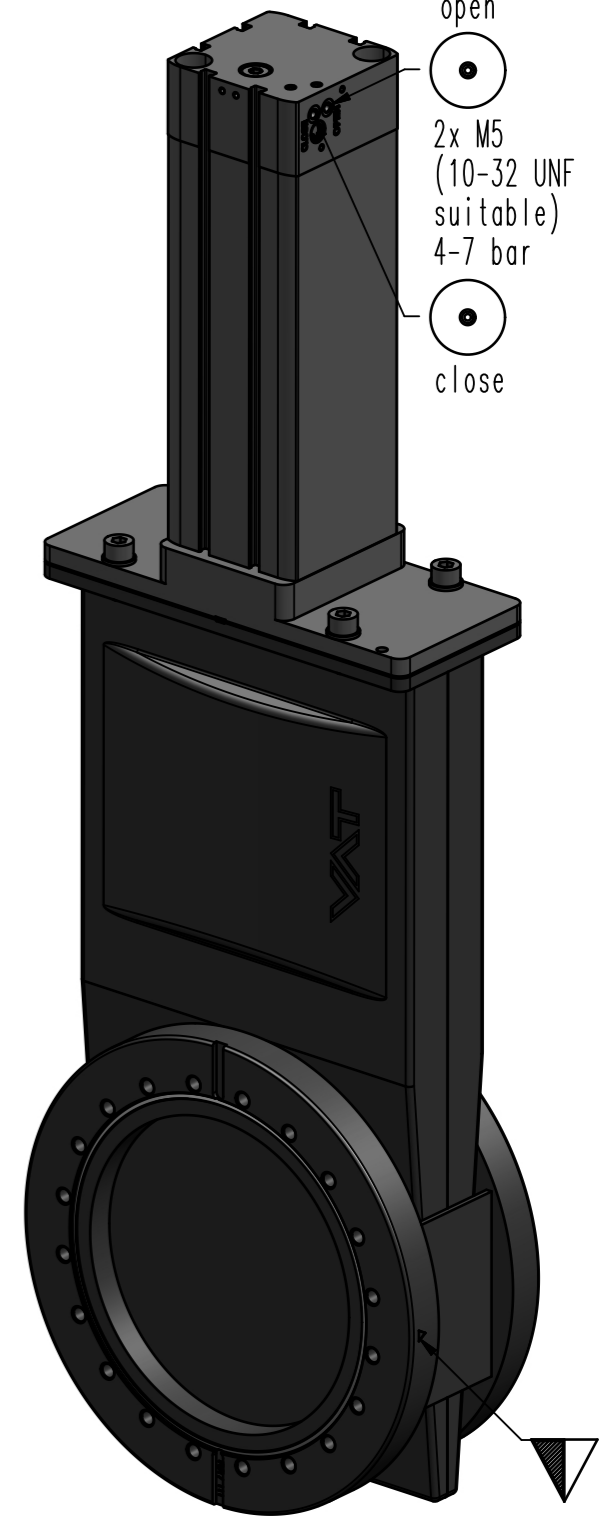


B-side



A-(seat)side

D-side

- ▼ Seat side
- ⊙ Comp. air connection
- ⊙ Electrical connection
- ⊙ Leak detection port
- ⊙ Mech. pos. indication
- ⊙ Position indicator
- ⊙ Required for dismantling
- ⊙ Emergency actuation
- ⊙ For attachment
- ⊙ Bake-out area
- ⊙ Differential pumping port

HV gate valve



VAT Vakuumentile AG  
 CH-9469 Haag, Switzerland  
 Tel ++41 81 7716161 Fax ++41 81 7714830

Rev.-Date: 20.01.14  
 Visa: HUC

|                     |        |              |                 |
|---------------------|--------|--------------|-----------------|
| Series              | 091    | Ordering No. | 09144-CE14-0002 |
| Projection E        | DN     | Flange       |                 |
|                     | 160    | CF-F m       |                 |
| Dimensional Drawing | 725402 | Rev.         |                 |