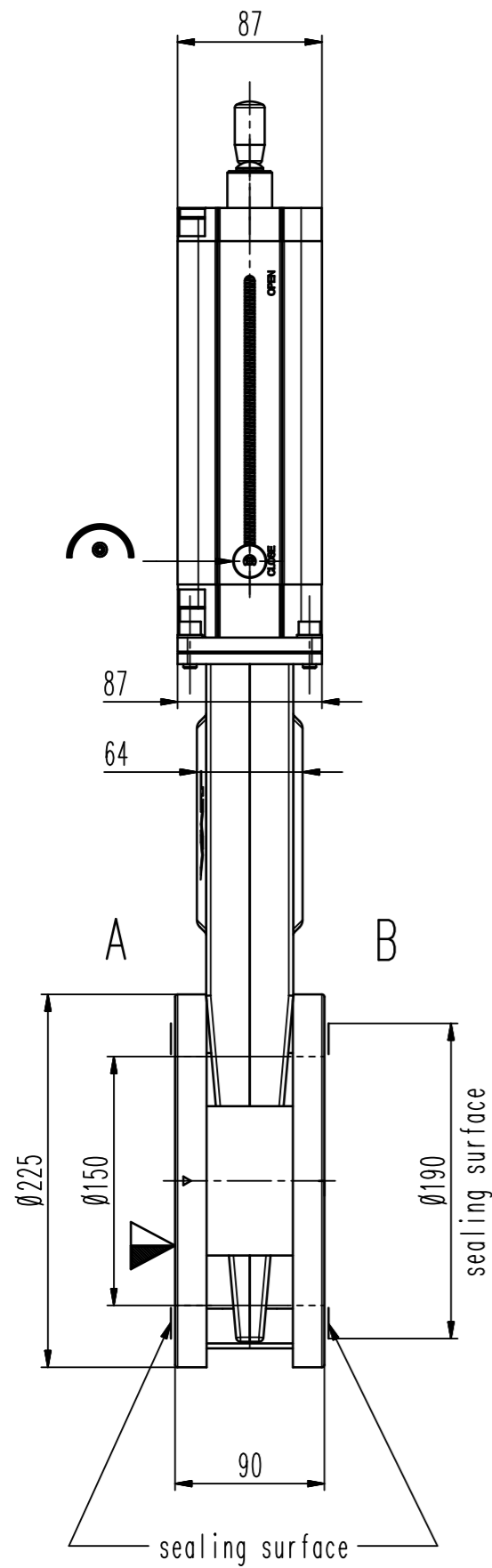


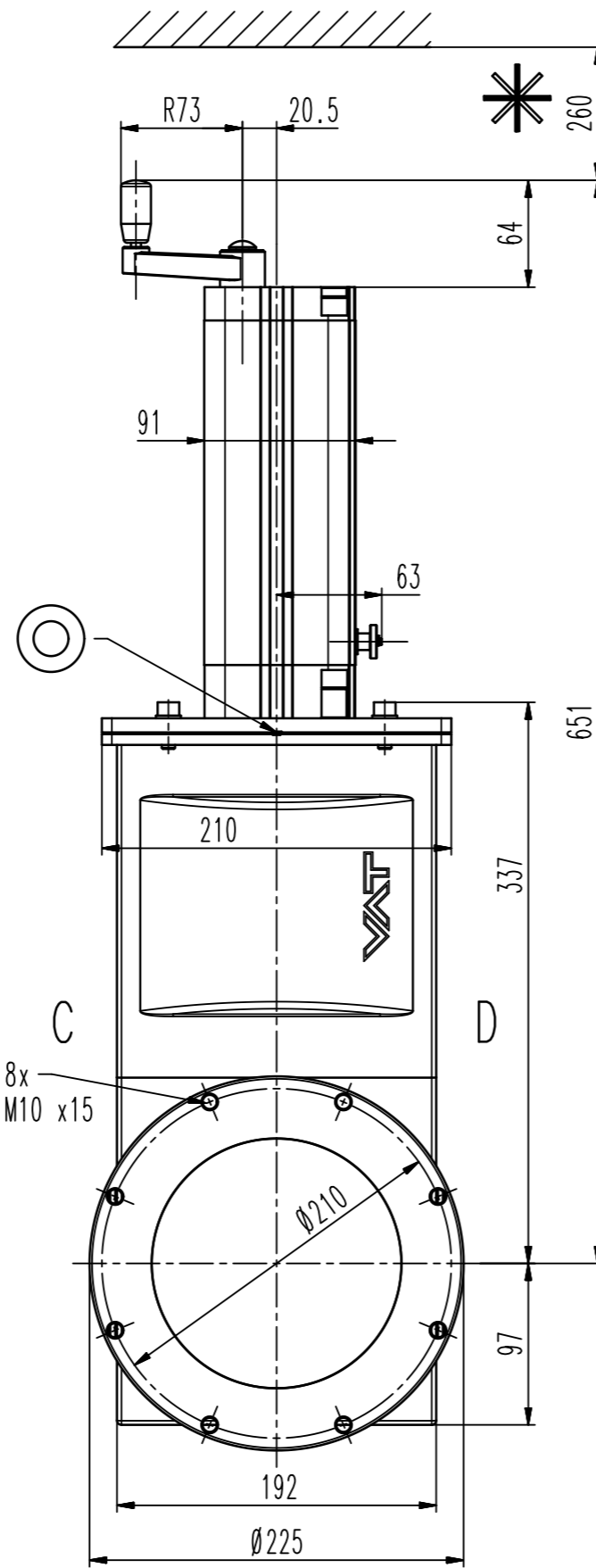
This drawing is the property of VAT.

Revision

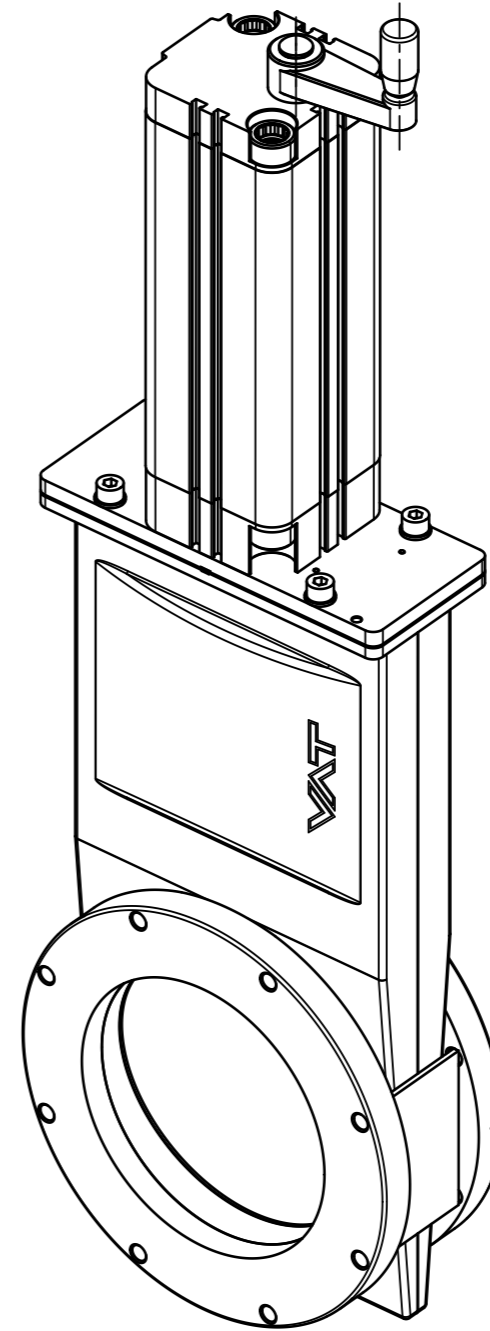
Customer number



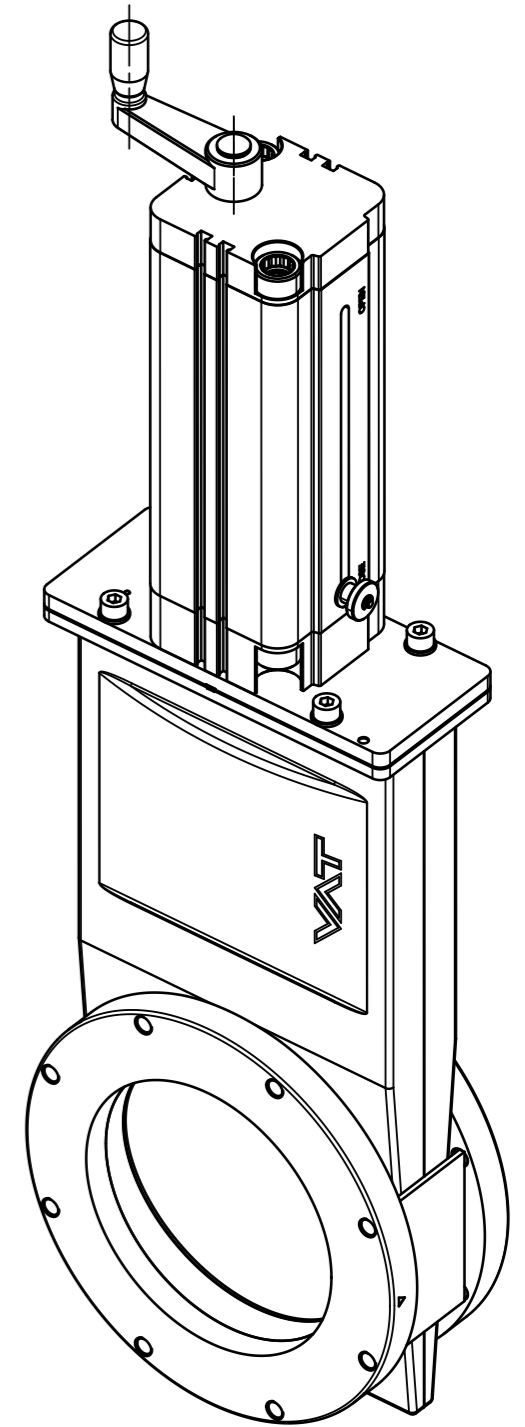
D-side



A-(seat)side



B-side



- ▼ Seat side
- ⊙ Comp. air connection
- ⊕ Electrical connection
- ⊖ Leak detection port
- ⊗ Mech. pos. indication
- ⊘ Position indicator
- ⊙* Required for dismantling
- ⊙□ Emergency actuation
- ⊙□ For attachment
- ⊙□ Bake-out area
- ⊙□ Differential pumping port

HV gate valve



VAT Vakuumventile AG
CH-9469 Haag, Switzerland
Tel ++41 81 7716161 Fax ++41 81 7714830

Rev.-Date: 28.04.14
Visa: MAEM

Series	091		Ordering No.	09144-JE01-0001	
Projection E	DN	Flange		JIS	
	160	Rev.		A	
Dimensional Drawing	701799				