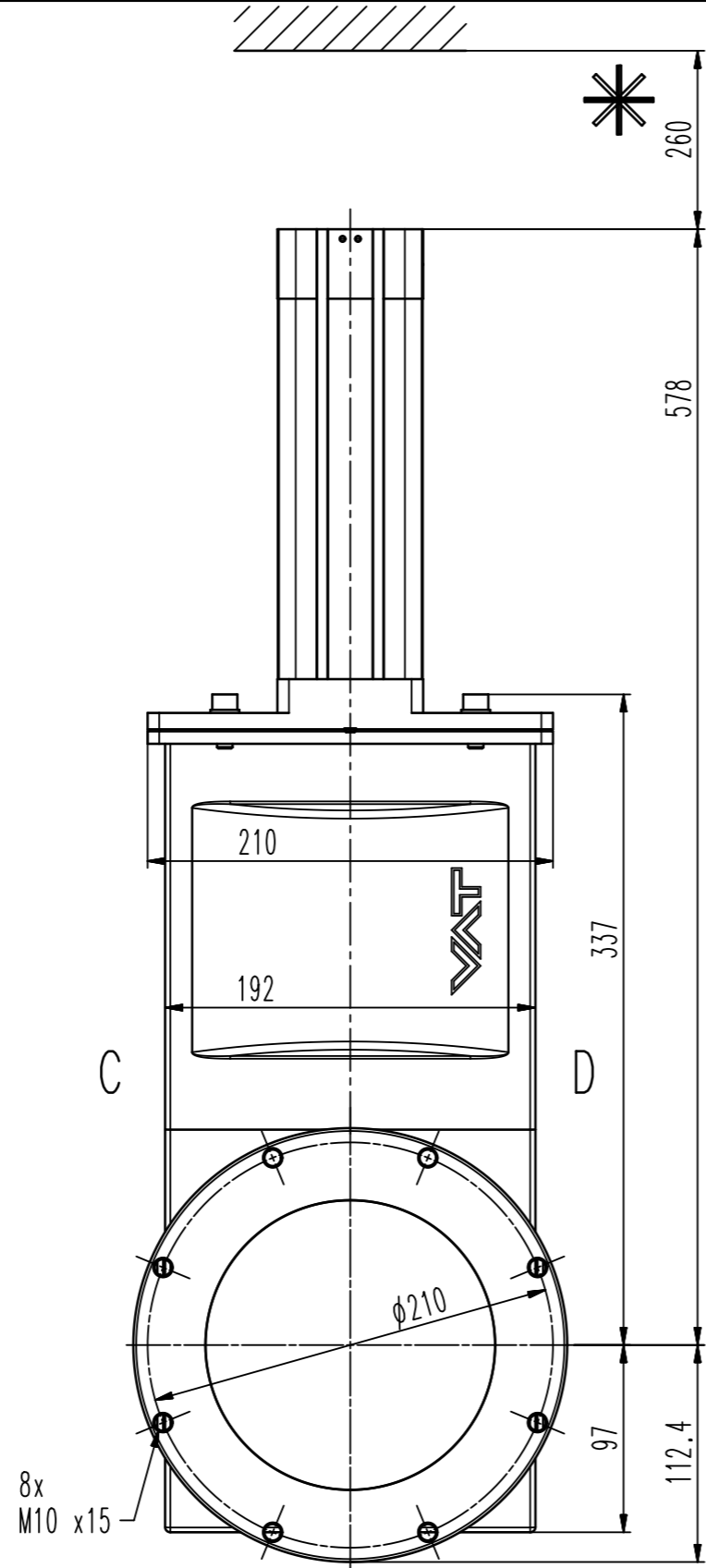


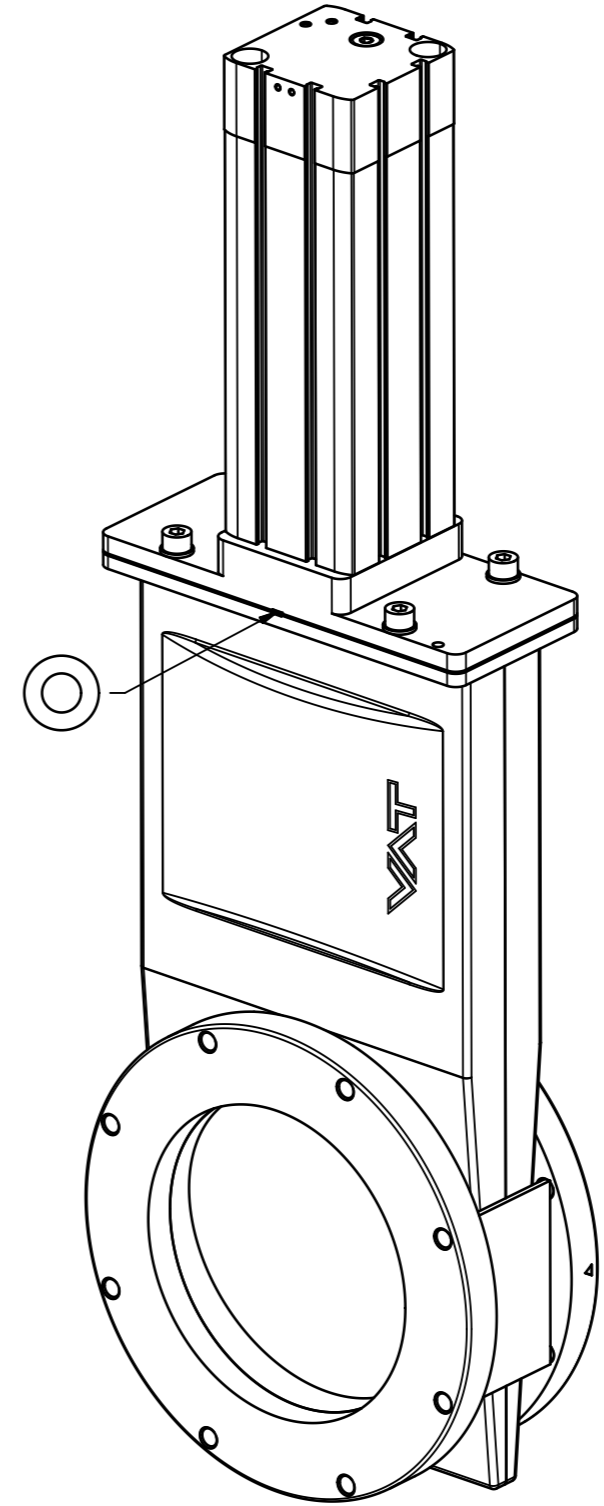
D-side



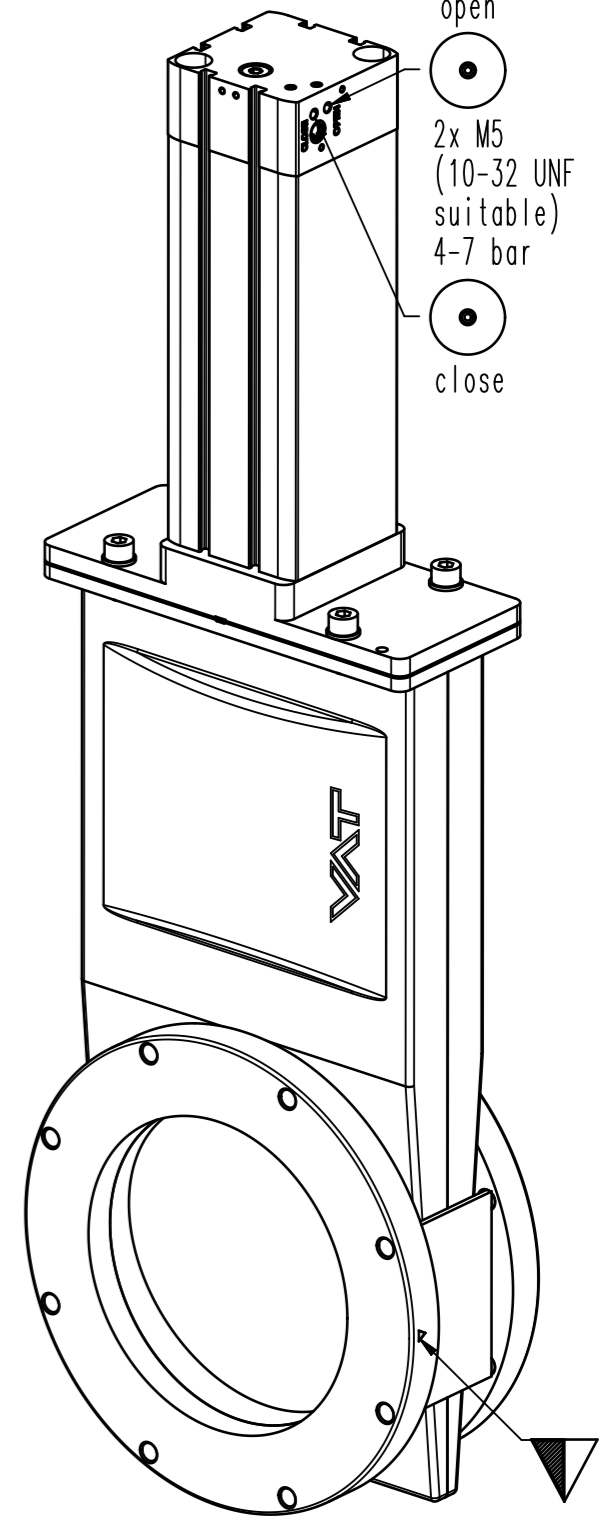
8x M10 x15

C

HV gate valve



B-side



A-(seat)side

- ▼ Seat side
- ⊙ Comp. air connection
- ⊙ Electrical connection
- ⊙ Leak detection port
- ⊙ Mech. pos. indication
- ⊙ Position indicator
- ⊙ Required for dismantling
- ⊙ Emergency actuation
- ⊙ For attachment
- ⊙ Bake-out area
- ⊙ Differential pumping port



VAT Vakuumventile AG
 CH-9469 Haag, Switzerland
 Tel ++41 81 7716161 Fax ++41 81 7714830

Rev.-Date: 11.09.13
 Visa: HUC

Series	091		Ordering No.	09144-JE14-0001	
Projection E	DN	Flange			
	160	JIS			
Dimensional Drawing	709240		Rev.		